



PRODUCT CATALOG



STANDOFFS



WL-WIRE



WIRE SUSPENSION



EZ-ROD & WIRE



STRUCTURELITE



FRAMES &
HOLDERS



HARDWARE



CALL US
775.829.7272

Over 35 Years of Gyford Standoff Systems



A History of Quality

We design and manufacture precision aluminum and stainless steel decorative mounting components in Reno, Nevada.

Our selection of in-stock components includes a variety of standoffs, rod hardware and wire suspension systems. We also offer custom colors, finishes, shapes and sizes.

From one-on-one design support to round-the-clock online resources, our clients can come to us for what they need to complete a project. We make it our responsibility to uphold a growing and sustainable business for our customers, our team and our environment.

We are proud of our history and commitment to delivering quality products and services. We welcome you to learn about the little details that drive us every day and why we're passionate about what we do.

Our Mission

QUALITY

To consistently deliver quality U.S. manufactured products using the very best technology and hiring highly qualified employees.

SERVICE

To foster relationships with our clients and employees through exceptional knowledge and steadfast ethics.

INNOVATION

To be the leading designer and manufacturer of precision mounting components.

COMMUNITY

To support our community and uphold sustainable business practices by being environmentally and socially conscientious.

SHOP ONLINE:

standoffsystems.com

CALL US:

775.829.7272

Monday - Friday

7:00 a.m. - 3:30 p.m. (PST)

EMAIL US:

info@standoffsystems.com

Our Commitment to the Environment

We believe that, as an industry leader, we must be environmentally responsible. This principle is part of our business culture and has been a core value since we began full manufacturing operations in 1991. It is our commitment to provide a sustainable product, reduce waste, save energy and recycle materials. Our aluminum contains 55% recycled material and our stainless steel contains 90% recycled material. We are a proud member of the U.S. Green Building Council and continuously adapt our practices to minimize our environmental impact.



MADE
in
the **USA**

Our Commitment to Being American Made

We design and manufacture all our products in Reno, Nevada and source materials in the U.S. We are proud to keep jobs in America and contribute to our nation's economic independence.



For more information about how we can help with your LEED qualifications, visit: standoffsystems.com/green

Recyclable

Aluminum is the only metal that can be infinitely recycled.

Light

Aluminum is light-weight and strong, reducing the shipping costs and carbon footprint.

Non-toxic anodized finish

Anodizing is environmentally safe and meets safety directives of the FDA, USDA, WEE and RoHS.

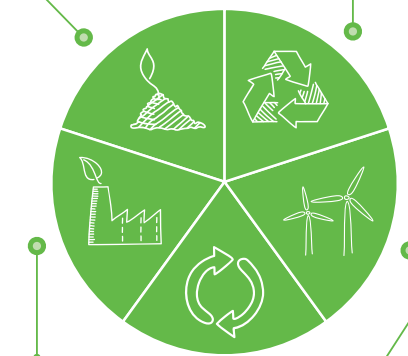
Corrosion-resistant

Aluminum and 316 stainless steel are protected by their own naturally occurring oxide film.

Efficient machines

have reduced our power usage by 37%.

Wastewater evaporators reduce environmental impact and operational cost.



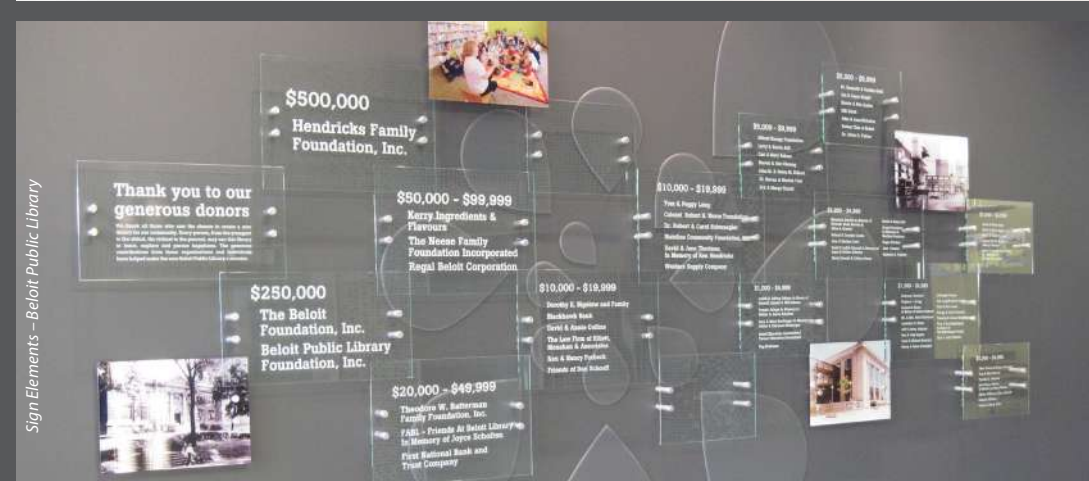
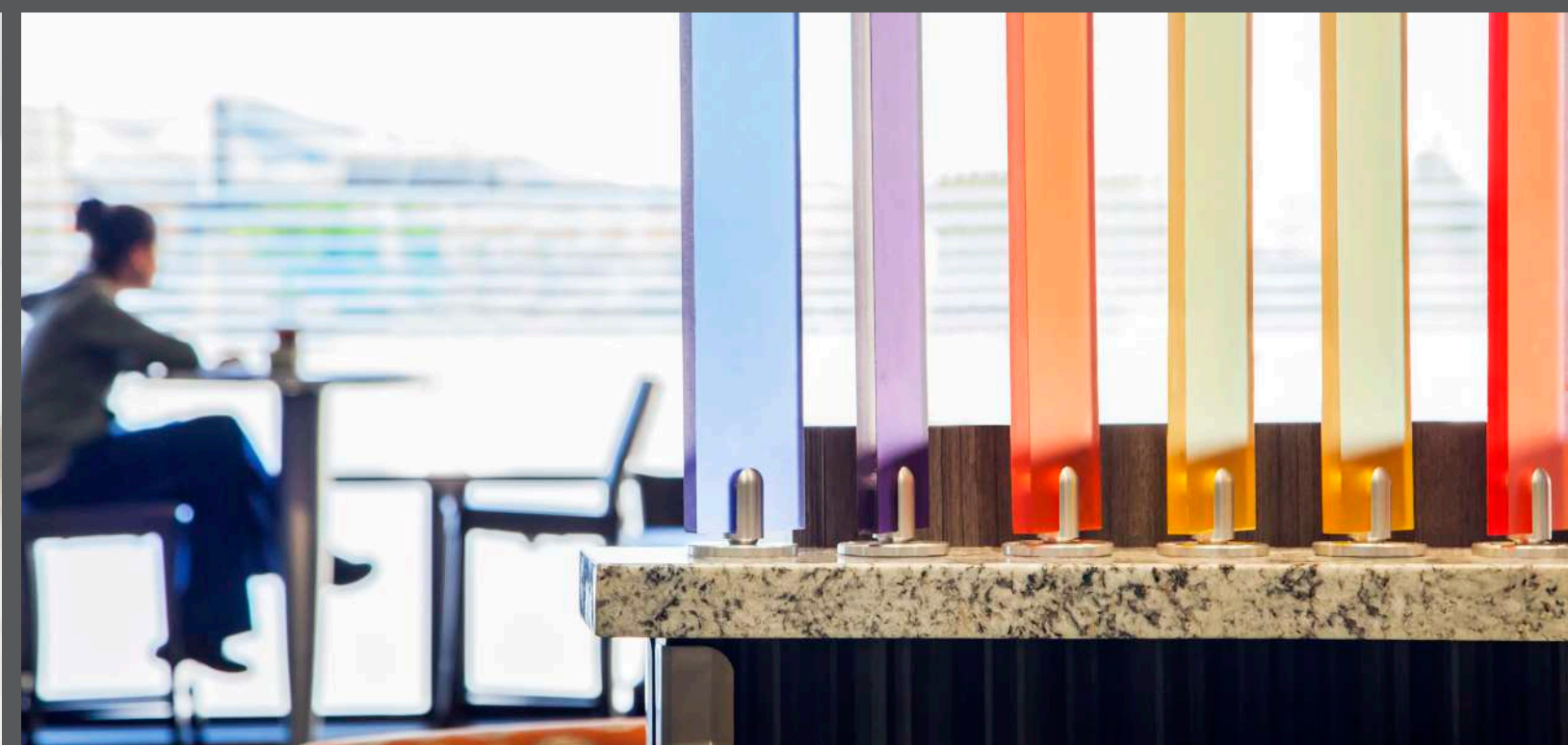
Solvents and oils that we use are classified as non-hazardous waste by the EPA.

Air handlers reduce particulates created during the machining process.

Rotary screw compressors use less power and cycle less often than traditional compressors.

Catalog Contents

Inspiration Gallery	A:4
Standoffs	SO
WL-Wire	WL
Wire Suspension	WS
EZ-Rod & Wire	EZ
StructureLite	SL
Simply Frames & Holders	SF
Hardware	HD
Finishes & Colors	B:3
FAQ	B:4



Sign Elements - Beloit Public Library

Denver Glass Interiors, Inc



Micheners Engraving



Valley Wide Signs & Graphics



Created by artist Vail Steele



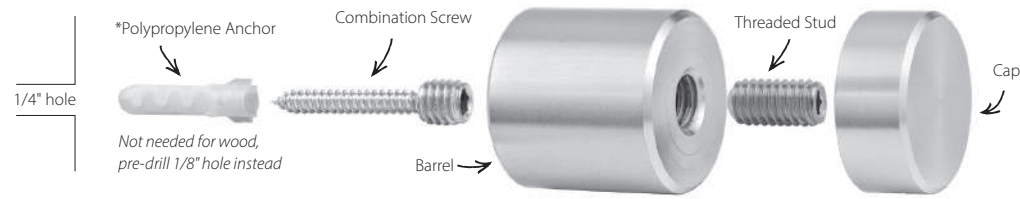
Standoffs

Standoff Assembly	SO:2
Standard Standoff Caps	SO:4
Low Profile Standoff Caps	SO:5
Security Standoff Caps	SO:6
Specialty Standoff Caps	SO:7
Standoff Barrels	SO:8
LED Standoffs	SO:11
Standoff Hubs	SO:12
Panel Clips	SO:13
Standoff Grippers	SO:14
Non-Adjustable Edge Grips	SO:16
Adjustable Edge Grips	SO:18
Panel Hinges	SO:20
Standoff Kits	SO:21
Flush Mount Kits	SO:23
LED Standoff Kits	SO:24
LED Standoff Parts	SO:25
Standoffs Index	SO:26



Standoffs are designed to mount signs, architectural panels, glass, banners, photographs, artwork and just about any other material at a fixed distance from a surface. They're available in different shapes and sizes to accommodate any design.

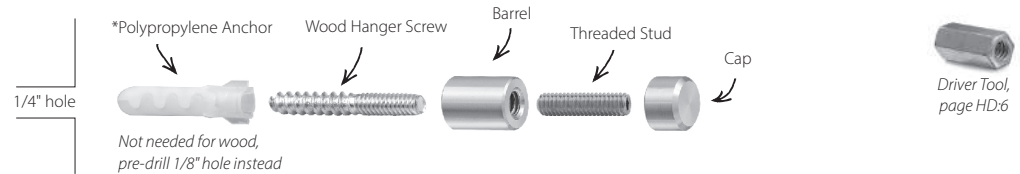
5/16-18 THREADED CAP AND BARREL



- 1 Use the holes in your material as a template to mark drill-holes on your mounting surface.
- 2 Pre-drill 1/4" holes in your surface, then insert nylon anchors into the holes and tap them flush.
- 3 Drive your combination screws into the nylon anchors, then tighten barrels against the surface.
- 4 Screw threaded studs into your barrels, then place your panel into position and thread the caps on until snug.

Tip
• We recommend 3/8" holes in your material to give you more freedom for aligning your panels

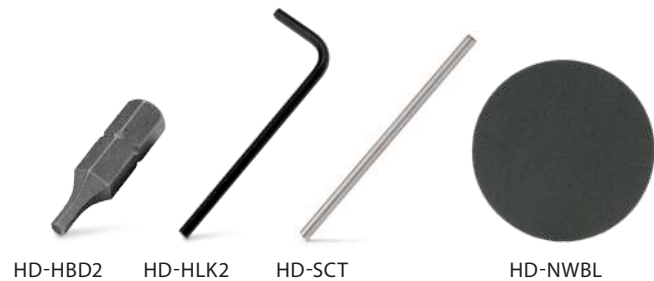
10-24 THREADED CAP AND BARREL



- 1 Use the holes in your material as a template to mark drill-holes on your mounting surface.
- 2 Pre-drill 1/4" holes in your surface, then insert nylon anchors into the holes and tap them flush.
- 3 Use the included driver tool, drive your hanger screws into the nylon anchors, then tighten barrels against the surface.
- 4 Screw threaded studs into your barrels, then place your panel into position and thread the caps on until snug.

Tip
• We recommend 7/32" holes in your material to give you more freedom for aligning your panels
• A wood hanger screw driver tool is included to drive the screw into the nylon anchor or wood

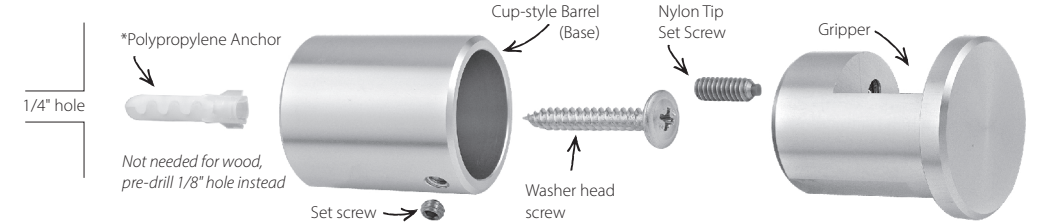
TOOLS FOR STANDOFFS



PART	PURPOSE
HD-HBD2	3/32" hex tool for SO-CAP17, 18 and 19
HD-HBD4	5/32" hex tool for SO-SCB, 1 and 2
HD-HLK2	3/32" allen wrench for SO-CAP17, 18 and 19
HD-HLK4	5/32" allen wrench for SO-SCB, 1 and 2
HD-SCT	Tighten SO-SC3, 9 and 10 & SO-SSCAP1R, 2R, 3 and 4
HD-NW	For SO-CAP11, 12, 13, 14 and 23

For more details, see our Hardware section

EDGE GRIPS



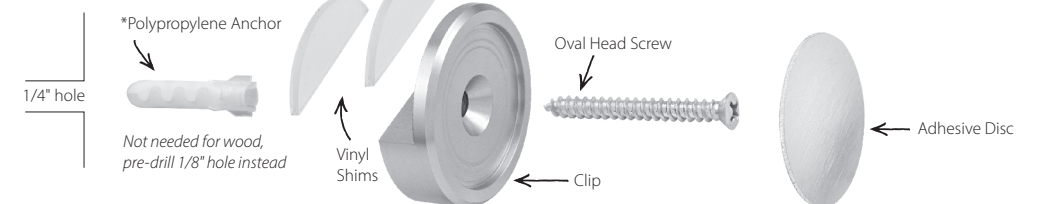
- 1 Mount the grippers to your panel by placing the grippers on the edges and tightening the nylon tips against the back of the panel.
- 2 Hold the panel and grippers level against the mounting surface and press to create dimpled marks in the surface.
- 3 Pre-drill 1/4" holes in your surface at your marks. Insert nylon anchors and tap them flush.
- 4 Mount barrels to the surface with the washer head screws, then insert the grippers and tighten the set screws.

Tips
• For material over 1/2" thick, temporarily remove nylon tip set screws to make dimpled marks
• Align the barrels so the flat side of the gripper will line up with the barrel's set screw hole

PANEL CLIPS

Note
• Panel clips include two vinyl shims to accommodate different material thicknesses, see table below

Material Thickness	Vinyl Shims
1/8"	2
3/16"	1
1/4"	0

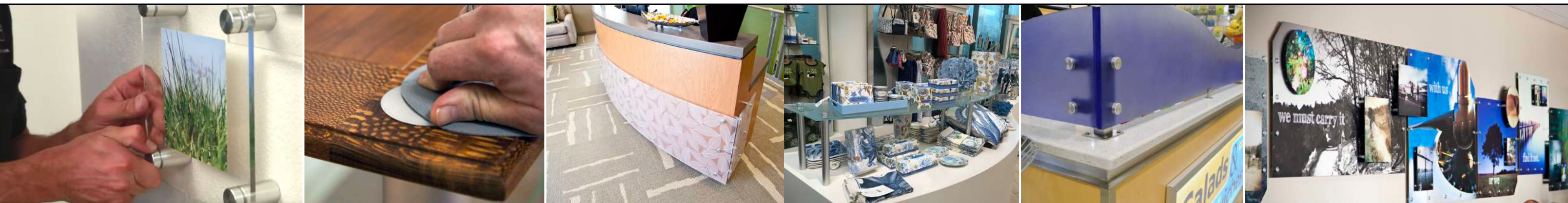


- 1 Mark the mounting surface 3/16" above and below the desired location of your panel edges.
- 2 Pre-drill 1/4" holes in the surface at your marks. Insert anchors in the holes and tap them flush.
- 3 Drive oval head screws into the anchors through the clip. Slide in the panel and install the upper clips.
- 4 Remove the adhesive backing from the discs and place one into the recess on the face of each clip.

Tip
• Panel clips should be installed at the top and bottom and at least 2-3" in from the sides of glass mirrors (plastic materials not critical)

THREADED STUDS FOR STANDOFF ASSEMBLY

Standoff Caps come with a removable threaded stud up to 1-1/2" long. Longer lengths are available for an additional charge. Our Client Solution Specialists will assist in determining the correct stud length for your application. To find our selection of threaded studs for standoff assembly, see page HD:2.



STANDOFF KITS

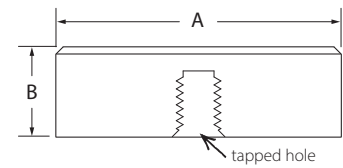
For your convenience we offer complete standoff kits. Kits come in a variety of diameters and lengths with everything you need to get started on your project, including a set of four (4) standoffs with assembly and installation hardware and instructions.

Find our selection of Standoff Kits, starting on page SO:22.



STANDARD CAP

Aluminum



SO-CAP3

PART	DIA. (A)	CAP HEIGHT (B)	TAPPED	THREAD DEPTH
SO-CAP25	1/4"	5/32"	6-32	1/8"
SO-CAP7	3/8"	1/4"	10-24	1/8"
SO-CAP8	5/8"	5/16"	5/16-18	3/16"
SO-CAP8CU	5/8"	5/16"	10-24	3/16"
SO-CAP75	3/4"	5/16"	5/16-18	3/16"
SO-CAP9	1"	3/8"	5/16-18	1/4"
SO-CAP9CU	1"	3/8"	1/4-20	1/4"
SO-CAP3	1-1/4"	1/2"	5/16-18	3/8"
SO-CAP10	1-1/2"	1/2"	5/16-18	3/8"
SO-CAP22R	2"	5/8"	5/16-18	3/8"

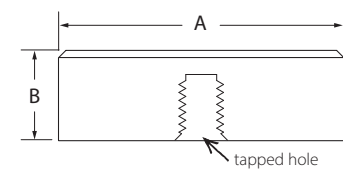
- Custom finishes available
- Available in brass anodize
- Available in black anodize
- Additional cost and lead time may apply

- Assembly hardware included
- (1) Threaded stud up to 1-1/2" long. Specify stud or material thickness. See page HD:2

- Note
- Installation hardware sold separately. See Hardware section for available options
- Buy as a pre-packaged kit. See page SO:22

STAINLESS STEEL CAP

316 Stainless Steel



SO-SSCAP100

PART	DIA. (A)	CAP HEIGHT (B)	TAPPED	THREAD DEPTH
SO-SSCAP50	1/2"	5/16"	10-24	3/16"
SO-SSCAP75	3/4"	5/16"	1/4-20	3/16"
SO-SSCAP100	1"	3/8"	5/16-18	3/16"
SO-SSCAP125	1-1/4"	5/16"	5/16-18	3/16"

- Assembly hardware included
- (1) Threaded stud up to 1-1/2" long. Specify stud or material thickness. See page HD:2

- Note
- Installation hardware sold separately. See Hardware section for available options
- Buy as a pre-packaged kit. See page SO:22

LOW PROFILE CAP WITH STEM

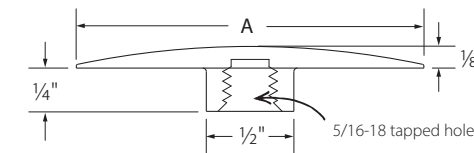
Aluminum

PART	DIA. (A)	CAP HEIGHT	STEM LENGTH	STEM DIA.	TAPPED	THREAD
SO-CAP11	1"	1/8"	1/4"	1/2"	5/16-18	1/4"
SO-CAP11CU	1"	1/8"	1/4"	1/2"	1/4-20	1/4"
SO-CAP12	1-1/4"	1/8"	1/4"	1/2"	5/16-18	1/4"
SO-CAP12CU	1-1/4"	1/8"	1/4"	1/2"	1/4-20	1/4"
SO-CAP13	1-1/2"	1/8"	1/4"	1/2"	5/16-18	1/4"
SO-CAP23	2"	1/8"	1/4"	1/2"	5/16-18	1/4"
SO-CAP14	2-1/2"	1/8"	1/4"	1/2"	5/16-18	1/4"

- Custom finishes available
- Available in black anodize
- Additional cost and lead time may apply

- Assembly hardware included
- (1) Threaded stud up to 1-1/2" long. Specify stud or material thickness. See page HD:2

- Note
- Tighten with neoprene wrench (HD-NWBL). See page HD:15
- 1/4" minimum material thickness

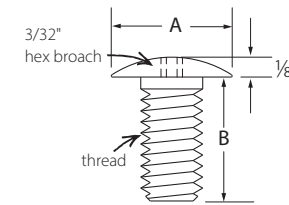


SO-CAP23

LOW PROFILE CAP WITH INTEGRATED STUD

Aluminum

PART	DIA. (A)	THREAD	THREAD LENGTH (B)	CAP HEIGHT
SO-CAP17	3/8"	10-24	1/2"	1/8"
SO-CAP19	5/8"	5/16-18	5/8"	1/8"



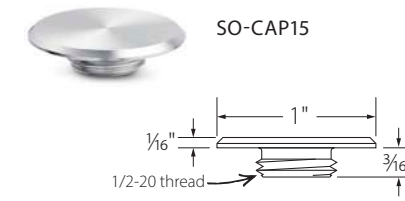
SO-CAP17

SO-CAP19

FINISHING CAP WITH INTEGRATED STUD

Aluminum

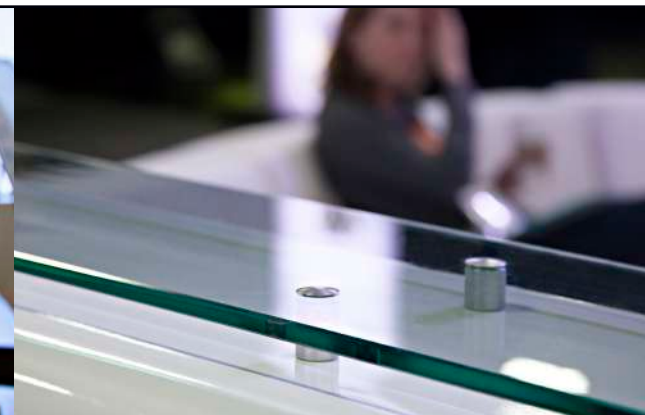
PART	DIA.	THREAD	THREAD LENGTH	CAP HEIGHT
SO-CAP15	1"	1/2-20	3/16"	1/16"
SO-CAP26	5/8"	5/16-18	1/4"	1/16"



SO-CAP15

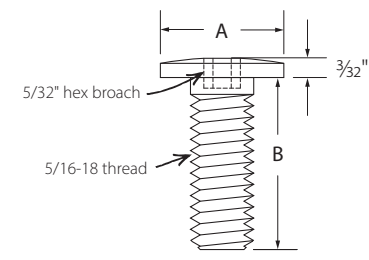


SO-CAP26



SECURITY CAP WITH INTEGRATED STUD
Aluminum

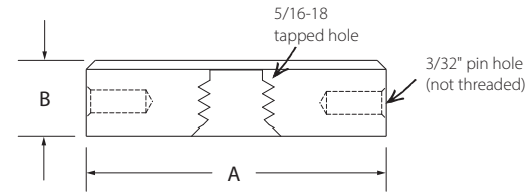
PART	DIA. (A)	THREAD	THREAD LENGTH (B)	CAP HEIGHT
SO-SCB	5/8"	5/16-18	23/32"	3/32"



Note
• Tighten cap with a 5/32" hex key wrench (HD-HLK4). See page HD:15

SECURITY CAP
Aluminum

PART	DIA. (A)	CAP HEIGHT (B)	TAPPED	THREAD DEPTH	HOLE(S)
SO-SC75	3/4"	5/16"	5/16-18	3/16"	(2) 3/32"
SO-SC9	1"	5/16"	5/16-18	3/16"	(2) 3/32"
SO-SC3	1-1/4"	5/16"	5/16-18	3/16"	(2) 3/32"
SO-SC10	1-1/2"	5/16"	5/16-18	3/16"	(2) 3/32"



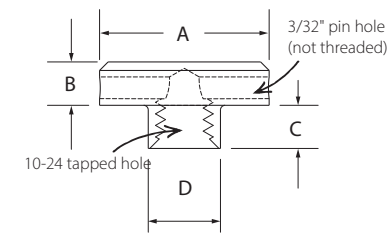
SO-SC3

Assembly hardware included
• (1) Threaded stud up to 1-1/2" long. Specify stud or material thickness. See page HD:2

Note
• Tighten cap with security cap tool (HD-SCT). See page HD:15

SECURITY CAP WITH STEM
316 Stainless Steel

PART	DIA. (A)	CAP HEIGHT (B)	STEM LENGTH (C)	STEM DIA. (D)	TAPPED	HOLE(S)
SO-SSCAP1R	1/2"	3/16"	1/8"	1/4"	10-24	(1) 3/32"
SO-SSCAP2R	3/4"	3/16"	3/16"	5/16"	1/4-20	(2) 3/32"
SO-SSCAP3	1"	3/16"	3/16"	7/16"	5/16-18	(2) 3/32"
SO-SSCAP4	1-1/4"	3/16"	3/16"	7/16"	5/16-18	(2) 3/32"



SO-SSCAP1R

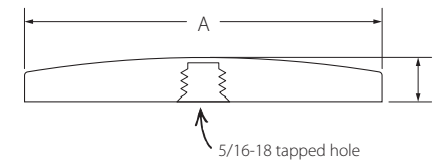
SO-SSCAP3

Assembly hardware included
• (1) Threaded stud up to 1-1/2" long. Specify stud or material thickness. See page HD:2

Note
• Tighten cap with security cap tool (HD-SCT). See page HD:15

EXTRUSION CAP
Aluminum

PART	DIA. (A)	CAP HEIGHT (B)	TAPPED	THREAD DEPTH
SL-1.25PCAP	1-1/4"	5/16"	5/16-18	3/16"
SL-2.5PCAP	2-1/2"	5/16"	5/16-18	3/16"



SL-1.25PCAP

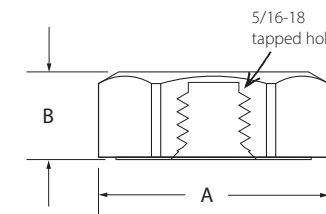
SL-2.5PCAP

Assembly hardware included
• (1) Threaded stud up to 1-1/2" long. Specify stud or material thickness. See page HD:2

Note
• These StructureLite Caps are designed for extrusion, but work as Standoff caps for barrels of the same diameter

HEX CAP
Aluminum

PART	DIA. (A)	CAP HEIGHT (B)	TAPPED	THREAD DEPTH
SO-HCAP1	1"	3/8"	5/16-18	1/4"

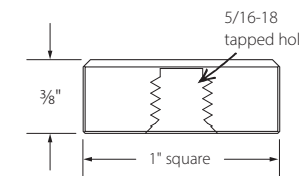


SO-HCAP1

Assembly hardware included
• (1) Threaded stud up to 1-1/2" long. Specify stud or material thickness. See page HD:2

SQUARE CAP
Aluminum

PART	WIDTH	CAP HEIGHT	TAPPED	THREAD DEPTH
SO-CAP20	1"	3/8"	5/16-18	1/4"

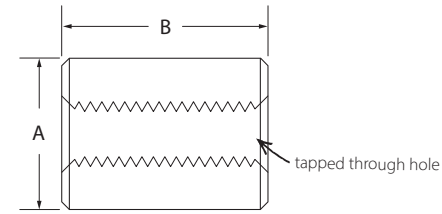


SO-CAP20

Assembly hardware included
• (1) Threaded stud up to 1-1/2" long. Specify stud or material thickness. See page HD:2



STANDARD BARREL
1/4" to 1" DIAMETER
Aluminum

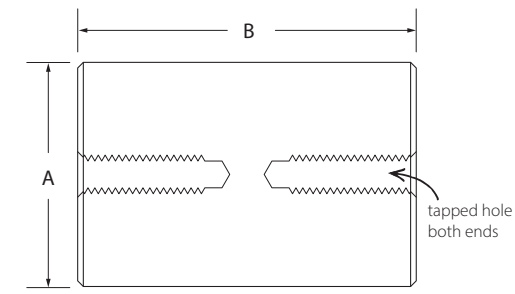


	PART	DIA. (A)	LENGTH (B)	TAPPED	DESCRIPTION
	SO-2525	1/4"	3/16"	9/64"	drilled through
●	SO-025	3/8"	1/4"	13/64"	drilled through
● ●	SO-050	3/8"	1/2"	10-24	tapped through
	SO-010R	3/8"	1"	10-24	tapped through
	EZ-SP1	5/8"	3/16"	5/16"	drilled through
● ●	SO-500	5/8"	1/2"	5/16-18	tapped through
● ●	SO-750	5/8"	3/4"	5/16-18	tapped through
● ●	SO-100	5/8"	1"	5/16-18	tapped through
	SO-150	5/8"	1-1/2"	5/16-18	tapped through
	SO-200	5/8"	2"	5/16-18	1" both ends
	SO-300	5/8"	3"	5/16-18	1" both ends
	WS-BAR5	5/8"	5-3/4"	5/16-18	1" both ends
	WS-BAR9	5/8"	9-3/4"	5/16-18	1" both ends
	WS-BAR11	5/8"	11-3/4"	5/16-18	1" both ends
● ●	SO-75050	3/4"	1/2"	5/16-18	tapped through
● ●	SO-75075	3/4"	3/4"	5/16-18	tapped through
	SO-75100	3/4"	1"	5/16-18	tapped through
	SO-75125	3/4"	1-1/4"	5/16-18	tapped through
	SO-9025	1"	1/4"	5/16-18	tapped through
● ●	SO-9050	1"	1/2"	5/16-18	tapped through
● ●	SO-9075	1"	3/4"	5/16-18	tapped through
● ●	SO-9100	1"	1"	5/16-18	tapped through
	SO-9100CU	1"	1"	1/4-20	tapped through
● ●	SO-9150	1"	1-1/2"	5/16-18	tapped through
● ●	SO-9200	1"	2"	5/16-18	1" both ends
	SO-9300	1"	3"	5/16-18	1" both ends
	SO-9400	1"	4"	5/16-18	1" both ends
	SO-9600	1"	6"	5/16-18	1" both ends

Custom finishes available
 ● Available in brass anodize
 ● Available in black anodize
 • Additional cost and lead time may apply

Note
 • Installation hardware sold separately.
 See Hardware section for available options

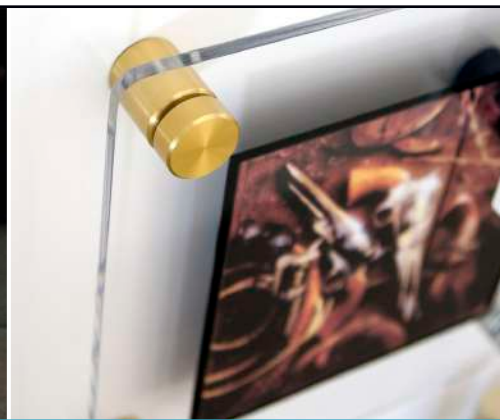
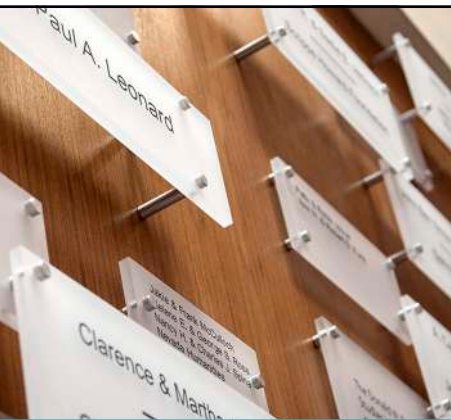
STANDARD BARREL
1-1/4" to 2" DIAMETER
Aluminum



	PART	DIA. (A)	LENGTH (B)	TAPPED	DESCRIPTION
	SO-250	1-1/4"	1/4"	5/16-18	tapped through
	SO-625	1-1/4"	5/8"	5/16-18	tapped through
	SO-1	1-1/4"	1"	5/16-18	tapped through
●	SO-115	1-1/4"	1-1/2"	5/16-18	tapped through
	SO-2	1-1/4"	2"	5/16-18	1" both ends
●	SO-3	1-1/4"	3"	5/16-18	1" both ends
	SO-4	1-1/4"	4"	5/16-18	1" both ends
●	SO-6	1-1/4"	6"	5/16-18	1" both ends
●	SO-8	1-1/4"	8"	5/16-18	1" both ends
	SO-10	1-1/4"	10"	5/16-18	1" both ends
	SO-12	1-1/4"	12"	5/16-18	1" both ends
	SO-1525	1-1/2"	1/4"	5/16-18	tapped through
	SO-1505	1-1/2"	1/2"	5/16-18	tapped through
	SO-151	1-1/2"	1"	5/16-18	tapped through
	SO-152	1-1/2"	2"	5/16-18	1" both ends
	SO-153	1-1/2"	3"	5/16-18	1" both ends
	SO-154	1-1/2"	4"	5/16-18	1" both ends
	SO-201R	2"	1"	5/16-18	tapped through
	SO-202R	2"	2"	5/16-18	1" both ends
	SO-203R	2"	3"	5/16-18	1" both ends
	SO-204R	2"	4"	5/16-18	1" both ends
	SO-206R	2"	6"	5/16-18	1" both ends

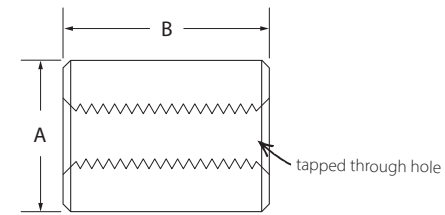
Custom finishes available
 ● Available in black anodize
 • Additional cost and lead time may apply

Note
 • Installation hardware sold separately.
 See Hardware section for available options



STAINLESS STEEL BARREL

316 Stainless Steel

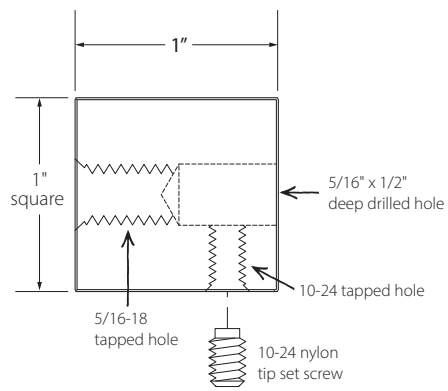


PART	DIA. (A)	LENGTH (B)	TAPPED	DESCRIPTION
SO-SS1500	1/2"	1/2"	10-24	tapped through
SO-SS1750	1/2"	3/4"	10-24	tapped through
SO-SS2500	3/4"	1/2"	1/4-20	tapped through
SO-SS2750	3/4"	3/4"	1/4-20	tapped through
SO-SS2100	3/4"	1"	1/4-20	tapped through
SO-SS3750	1"	3/4"	5/16-18	tapped through
SO-SS3100	1"	1"	5/16-18	tapped through
SO-SS4100	1-1/4"	1"	5/16-18	tapped through
SO-SS4150	1-1/4"	1-1/2"	5/16-18	3/4" both ends

Note
 • Installation hardware sold separately.
 See Hardware section for available options

SQUARE BARREL

Aluminum



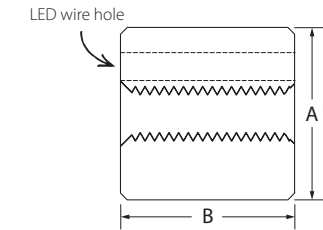
PART	WIDTH	LENGTH	TAPPED	THREAD DEPTH
SO-ASQ1	1"	1"	5/16-18 one end	1/2"



Assembly hardware included
 • (1) Nylon tip socket set screw (HD-NT2)

LED STANDOFF BARREL

Aluminum



PART	DIA. (A)	LENGTH (B)	TAPPED	DESCRIPTION
SO-9050-LED	1"	1/2"	5/16-18	tapped through
SO-9100-LED	1"	1"	5/16-18	tapped through

Tip
 • Installation hardware sold separately.
 See Hardware section for available options

Note
 • Pair with 1" diameter standoff cap

LED LIGHT BOARD

4 colors and color changing

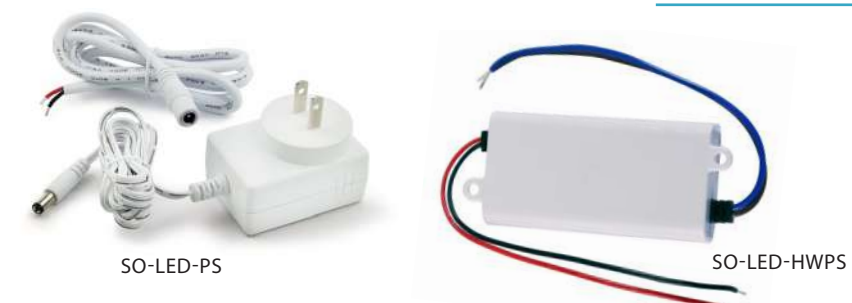


PART	COLOR	WIRE LENGTH
SO-LED-RED	red	4'
SO-LED-WHITE	white	4'
SO-LED-BLUE	blue	4'
SO-LED-GREEN	green	4'
SO-LED-RGB	color changing	4'

Note
 • Comes attached with 4' of wire

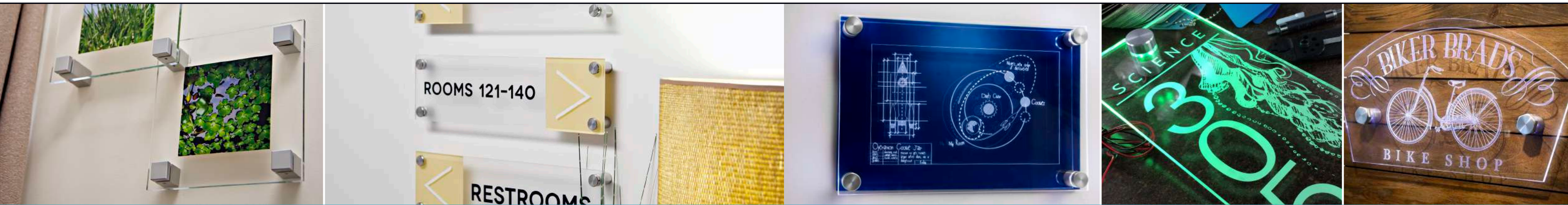
LED POWER SUPPLY

Powers light boards



PART	OUTPUT	WIRE LENGTH	USE FOR
SO-LED-PS	28v, 640ma	6'	Wall outlet
SO-LED-HWPS	24v, 640ma	6"	Hardwired installations

Tip
 SO-LED-PS
 • Powers up to 16 LED Light Boards
 SO-LED-HWPS
 • Powers up to 14 LED Light Boards



LED STANDOFF PARTS

LED DIMMER SWITCH

Dimmer ranges from off, to full power with a knob style switch.



PART
SO-LED-DIM

WIRELESS REMOTE CONTROL

The Control system for Color Changing LEDs can showcase the entire color spectrum and cycle up to 10 different display modes. Custom colors can be selected and saved, or three temperatures of white are also available.



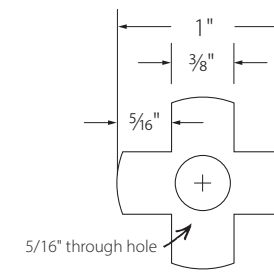
PART
SO-LED-CTRLR-RGB

STANDOFF HUBS

1" DIAMETER 4-WAY HUB

Aluminum

5/16" through hole



SO-04H-250R



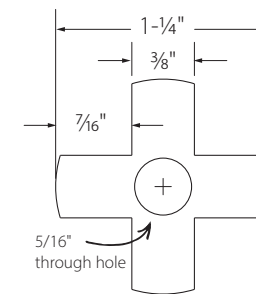
SO-04H-375R

PART	DIA.	THICKNESS
SO-04H-250R	1"	1/4"
SO-04H-375R	1"	3/8"

1-1/4" DIAMETER 4-WAY HUB

Aluminum

5/16" through hole

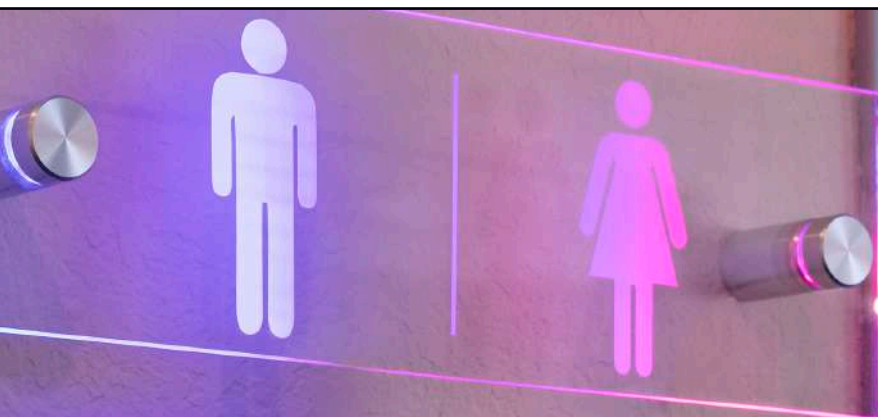


SO-14H-250R



SO-14H-375R

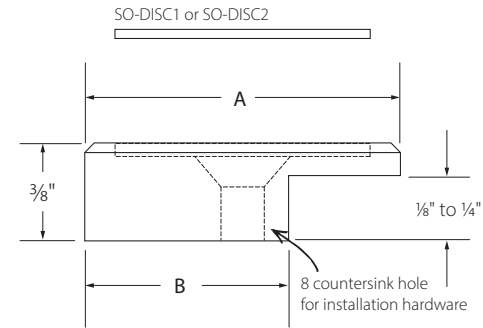
PART	DIA.	THICKNESS
SO-14H-250R	1-1/4"	1/4"
SO-14H-375R	1-1/4"	3/8"



Cardosi Kiper Design Group

PANEL CLIP WITH BRUSHED DISC

Aluminum



PART	DIA. (A)	DISTANCE (B)	HOLDS (C)
SO-APC-100	1"	11/16"	1/8" to 1/4"
SO-APC-125	1-1/4"	13/16"	1/8" to 1/4"

- Installation hardware included**
 - (1) Oval head screw (HD-PS2)
 - (1) All-purpose wall anchor (HD-FDA1)

- Assembly hardware included**
 - SO-APC-100
 - (2) Panel Clip shims (HD-VS-100)
 - (1) Adhesive Finishing Disc (SO-DISC2)
 - SO-APC-125
 - (2) Panel Clip shims (HD-VS-125)
 - (1) Adhesive Finishing Disc (SO-DISC1)

- Note**
 - Use included vinyl shims to accommodate different material thicknesses. See page HD:12

- Tip**
 - Buy as a pre-packaged kit containing four (4) panel clips with installation instructions and hardware. See page SO:23



Includes Finishing Disc, SO-DISC1 or SO-DISC2, See page SO:14



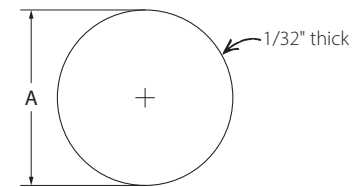
SO-APC-100



SO-APC-125

ADHESIVE FINISHING DISC

For SO-APC-100 and SO-AEGC-Fixed Edge Grips



PART	DIA. (A)	THICKNESS	FITS	FINISH
SO-DISC2	7/8"	1/32"	1" dia. edge grips	Brushed Aluminum
SO-DISC1	1"	1/32"	1-1/4" dia. edge grips	Brushed Aluminum

- Note**
 - Very high-bond adhesive-backed



SO-DISC2



SO-DISC1

STANDOFF GRIPPER

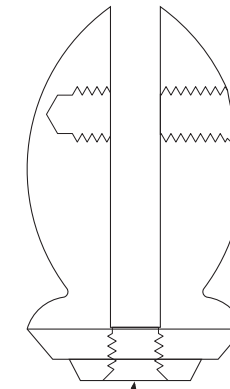
Aluminum

PART	HOLDS	DIA. (A)	HEIGHT (B)	SLOT WIDTH (C)	SLOT DEPTH (D)	TO SCREW (E)	BASE (F)
SO-AGR-250	1/4"	1-1/4"	2-1/8"	.281"	1-13/16"	1-3/16"	5/16"
SO-AGR-375	3/8"	1-1/4"	2-1/16"	.445"	1-3/4"	1-3/16"	5/16"
SO-AGR-500	1/2"	1-1/2"	2-3/8"	.547"	2-1/16"	1-5/16"	5/16"

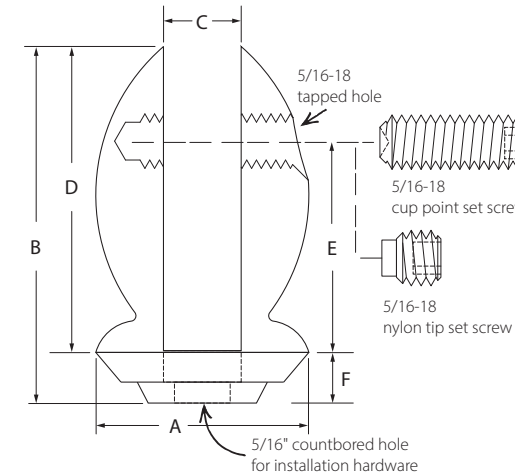
- Assembly hardware included**
 - SO-AGR-250 & SO-AGR-375
 - (1) Cup point socket set screw (HD-S19)
 - (1) Cup point socket set screw (HD-NT7)
 - SO-AGR-500 & SO-AGR-750
 - (1) Cup point socket set screw (HD-S21)
 - (1) Cup point socket set screw (HD-NT8)

- Note**
 - Installation hardware sold separately. See Hardware section for available options
 - Nylon tip set screw provided for glass and other materials

- Tip**
 - To attach a gripper to a standoff barrel, use a Transition Ring (SO-TR).



5/16" tapped hole for installation hardware



SO-AGR-250 (For 1/4" material)



SO-AGR-375 (For 3/8" material)

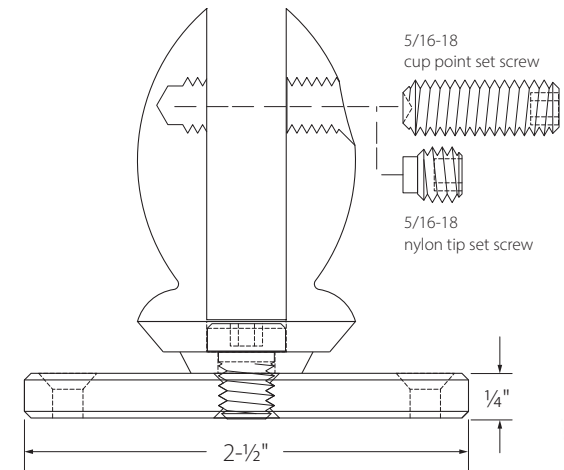


SO-AGR-500 (For 1/2" material)



STANDOFF GRIPPER WITH BASE PLATE
Aluminum

PART	HOLDS	ASSEMBLY INCLUDES
SO-AGR-250WMBL	1/4"	SO-AGR-250 & EZ-A2.5WMBL
SO-AGR-375WMBT	3/8"	SO-AGR-375 & EZ-A2.5WMBT
SO-AGR-500WMBT	1/2"	SO-AGR-500 & EZ-A2.5WMBT

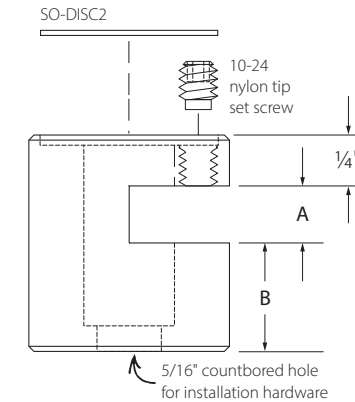


SO-AGR-375WMBT
(For 3/8" material)

- Installation hardware included**
 - (3) Oval head screw (HD-PS2)
- Assembly hardware included**
 - SO-AGR-250WMBL**
 - (1) Cup point socket set screw (HD-S19)
 - (1) Low head socket cap screw (HD-LHD65)
 - SO-AGR-375WMBT**
 - (1) Cup point socket set screw (HD-S19)
 - (1) Low head socket cap screw (HD-LHD7)
 - SO-AGR-500WMBT**
 - (1) Cup point socket set screw (HD-S21)
 - (1) Low head socket cap screw (HD-LHD7)
 - SO-AGR-750WMBT**
 - (1) Cup point socket set screw (HD-S21)
 - (1) Low head socket cap screw (HD-LHD8)
- Note**
 - Installation hardware sold separately. See Hardware section for available options
 - Nylon tip set screw available for glass and other materials

NON-ADJUSTABLE EDGE GRIP WITH ADHESIVE DISC
Aluminum

PART	DIA.	HOLDS	SLOT (A)	BASE (B)
SO-AEGC-125	1"	1/8"	5/32"	21/32"
SO-AEGC-250	1"	1/4"	9/32"	17/32"
SO-AEGC-375	1"	3/8"	13/32"	13/32"
SO-AEGC-500	1"	1/2"	17/32"	9/32"



Includes Finishing Disc, SO-DISC2. See page SO:14



SO-AEGC-125
(For 1/8" material)

SO-AEGC-250
(For 1/4" material)

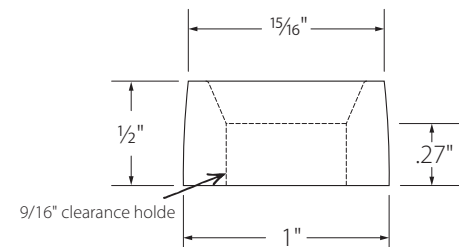
SO-AEGC-375
(For 3/8" material)

SO-AEGC-500
(For 1/2" material)

- Assembly hardware included**
 - (1) Adhesive finishing disc (SO-DISC2)
 - (1) Nylon tip socket set screw (HD-NT1)
- Tip**
 - Installation hardware sold separately. See Hardware section for available options

TRANSITION RING
Aluminum

PART	DIA.	LENGTH	TAPPED	DESCRIPTION
SO-TR	1"	1/2"	drilled through	transition ring



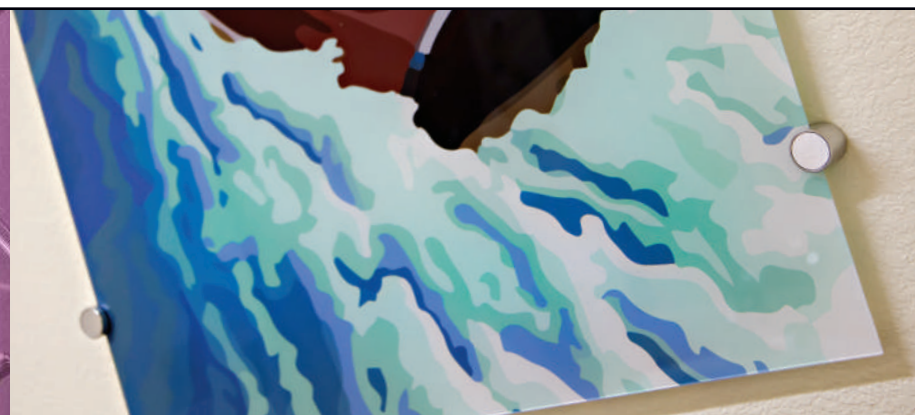
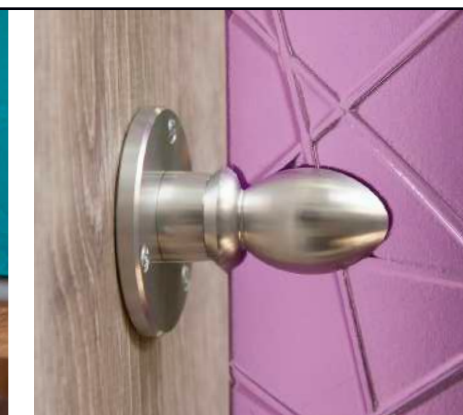
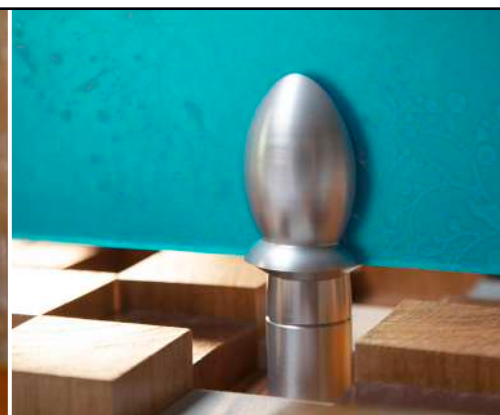
- Note**
 - For attaching a gripper to a barrel, use this Transition Ring for SO-AGR-250 to 500. See page SO:15



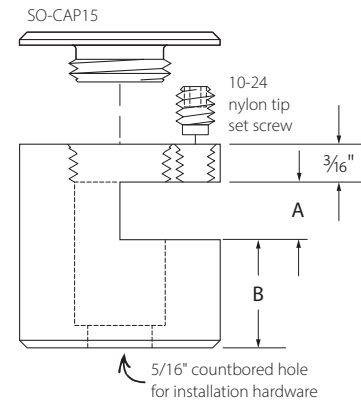
How-to Videos

www.standoffsystems.com/howto

Visit our library of "how-to" videos on our website. Our Tech Lead will walk you through installing Gyford Standoff Systems parts and hardware.



NON-ADJUSTABLE EDGE GRIP WITH THREADED CAP
Aluminum



PART	DIA.	HOLDS	SLOT (A)	BASE (B)
SO-AEGTC125-15	1"	1/8"	5/32"	21/32"
SO-AEGTC250-15	1"	1/4"	9/32"	17/32"
SO-AEGTC375-15	1"	3/8"	13/32"	13/32"
SO-AEGTC500-15	1"	1/2"	17/32"	9/32"

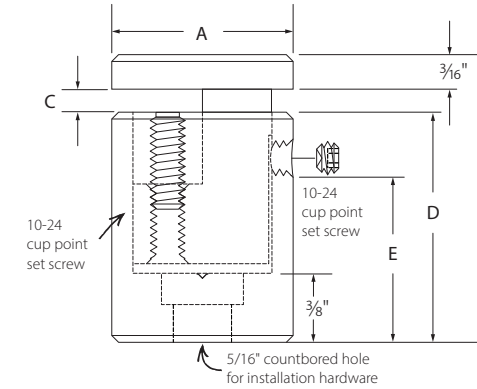
- Assembly hardware included**
- (1) Cap for 1" diameter edge grips (SO-CAP15)
 - (1) Nylon tip socket set screw (HD-NT1)
- Tip**
- Installation hardware sold separately. See Hardware section for available options



Includes Finishing Cap, SO-CAP15. See page SO:5

ADJUSTABLE EDGE GRIP
Aluminum

PART	DIA. (A)	HEIGHT (B)	HOLDS (C)	BARREL (D)	DISTANCE (E)
SO-APEG75	3/4"	1-5/16" to 1-7/16"	1/8" to 1/4"	1"	5/8"
SO-APEG9	1"	1-9/16" to 1-15/16"	1/8" to 1/2"	1-1/4"	7/8"
SO-APEG3	1-1/4"	1-13/16" to 2-17/16"	1/8" to 3/4"	1-1/2"	1-1/8"



SO-APEG9
(For 1/8" to 1/2" material)

- Assembly hardware included**
- (1) Cup point socket set screw (HD-S1) SO-APEG9 and SO-APEG75
 - (1) Nylon tip socket set screw (HD-NT25) SO-APEG3
 - (1) Nylon tip socket set screw (HD-NT275)
- Tip**
- Installation hardware sold separately. See Hardware section for available options

CUSTOM VARIABLE DEPTH STANDOFF SOLUTION

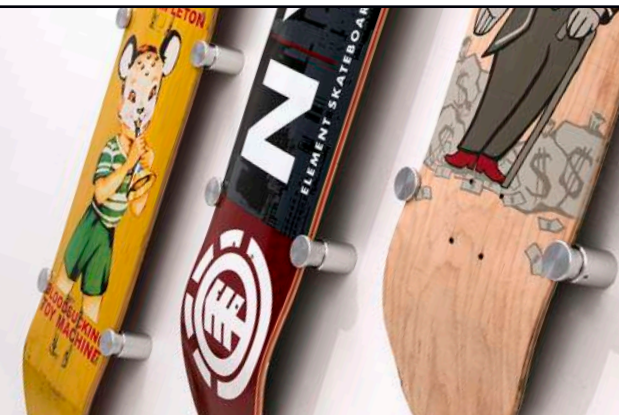
Call for assistance with selecting the correct parts for your installation

- Tip**
- Combine a cup-style base with a standard standoff barrel and cap to create a custom Variable Depth Standoff solution
 - These assemblies are ideal for mounting standoffs to uneven surfaces
 - Call for assistance with selecting the correct parts for your installation



Inspirational Photo Galleries
www.standoffsystems.com/photo-gallery

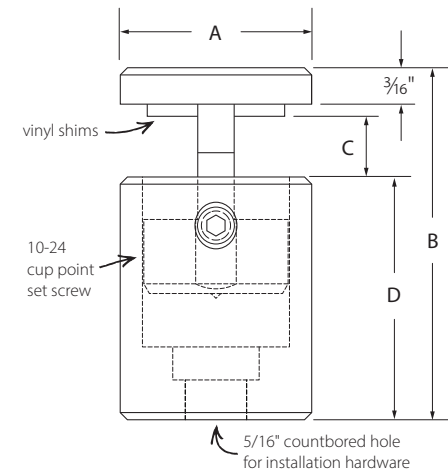
- Signage/Awards
- Interior Design/Construction
- Shelving/Displays
- Art/Framing
- Retail/POP
- Exhibits/Museums



ADJUSTABLE EDGE GRIPS

DOUBLE ADJUSTABLE EDGE GRIP

Aluminum



PART	DIA. (A)	HEIGHT (B)	HOLDS (C)	BARREL (D)
SO-ADPEG9	1"	1-5/8" to 2"	1/8" to 1/2"	1-1/4"
SO-ADPEG3	1-1/4"	1-7/8" to 1-1/4"	1/8" to 1/2"	1-1/2"



- Assembly hardware included**
- (1) Cup point socket set screw (HD-S1)
 - SO-ADPEG9
 - (2) Panel clip shims (HD-VS-100)
 - SO-ADPEG9
 - (2) Panel clip shims (HD-VS-125)



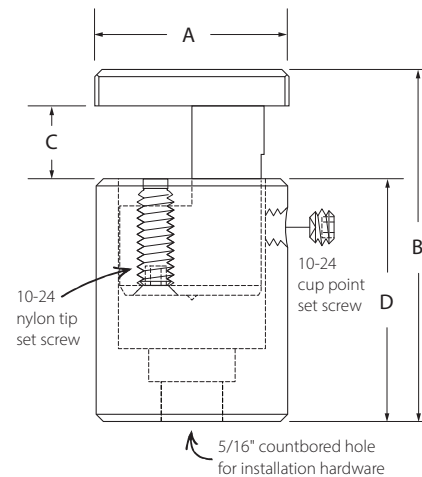
- Tip**
- Installation hardware sold separately. See Hardware section for available options



SO-ADPEG9
(For 1/8" to 1/2" material)

SQUARE ADJUSTABLE EDGE GRIP

Aluminum



PART	DIA. (A)	HEIGHT (B)	HOLDS (C)	BARREL (D)
SO-APEG-SQ9	1"	1-9/16" to 1-15/16"	1/8" to 1/2"	1-1/4"
SO-APEG-SQ3	1-1/4"	1-13/16" to 2-17/16"	1/8" to 3/4"	1-1/2"



- Assembly hardware included**
- (1) Cup point socket set screw (HD-S1)
 - SO-APEG-SQ9
 - (1) Nylon tip socket set screw (HD-NT25)
 - SO-APEG-SQ3
 - (1) Nylon tip socket set screw (HD-NT275)



- Tip**
- Installation hardware sold separately. See Hardware section for available options

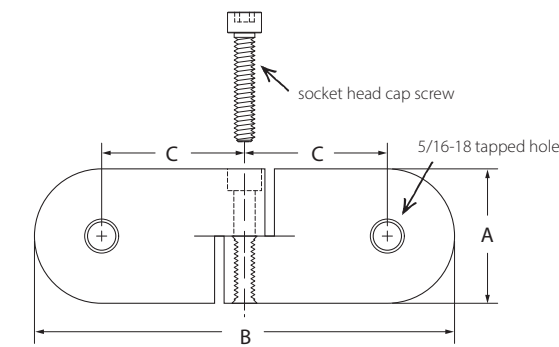


SO-APEG-SQ9
(For 1/8" to 1/2" material)

PANEL HINGES

PANEL HINGE

Aluminum



PART	DIA. (A)	LENGTH (B)	HOLE TO € OF HINGE (C)	THICKNESS
SO-A1H	1"	2-11/16"	13/16"	5/16"
SO-A125H	1-1/4"	3-7/8"	1-5/16"	3/8"

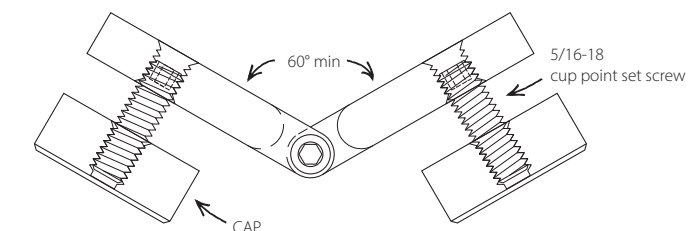


- Assembly hardware included**
- SO-A1H
 - (1) Socket head cap screw (HD-STC1)
 - SO-A125H
 - (1) Socket head cap screw (HD-STC5)



PANEL HINGE WITH CAPS

Aluminum



PART	DIA.	CAP HEIGHT	CAP STYLE
SO-A1H-CAP9	1"	3/8"	round cap
SO-A125H-CAP3	1-1/4"	1/2"	round cap



- Assembly hardware included**
- (2) Threaded stud up to 1-1/2" long. Specify stud or material thickness. See page HD:20
 - SO-A1H-CAP9
 - (1) Socket head cap screw (HD-STC1)
 - SO-A125H-CAP3
 - (1) Socket head cap screw (HD-STC5)



STANDOFF KITS

Standoff Kits come in a variety of diameters and lengths with everything you need to get started on your project including a set of four (4) standoffs with assembly and installation hardware and instructions. All kit components are also available for purchase individually.



3/8" DIAMETER KITS

Aluminum



PART	DIA.	BARREL LENGTH	HOLDS
● SOK-7-050	3/8"	1/2"	1/8" to 1/2"

- ⚙️ Custom finishes available
 - Available in black anodize
 - Additional cost and lead time may apply

5/8" DIAMETER KITS

Aluminum



PART	DIA.	BARREL LENGTH	HOLDS
●● SOK-8-500	5/8"	1/2"	1/4" to 3/8"
●● SOK-8-750	5/8"	3/4"	up to 1/2"
●● SOK-8-100	5/8"	1"	up to 1/2"

- ⚙️ Custom finishes available
 - Available in brass anodize
 - Available in black anodize
 - Additional cost and lead time may apply

3/4" DIAMETER KITS

Aluminum



PART	DIA.	BARREL LENGTH	HOLDS
SOK-75-075	3/4"	3/4"	up to 1/2"
SOK-75-100	3/4"	1"	up to 1/2"
SOK-75-125	3/4"	1-1/4"	up to 1/2"

1" DIAMETER KITS

Aluminum



PART	DIA.	BARREL LENGTH	HOLDS
●● SOK-9-050	1"	1/2"	1/4" or 3/8"
●● SOK-9-100	1"	1"	up to 1/2"
●● SOK-9-150	1"	1-1/2"	up to 1/2"
●● SOK-9-200	1"	2"	up to 3/4"

- ⚙️ Custom finishes available
 - Available in brass anodize
 - Available in black anodize
 - Additional cost and lead time may apply

1-1/4" DIAMETER KITS

Aluminum



PART	DIA.	BARREL LENGTH	HOLDS
SOK-3-1	1-1/4"	1"	up to 1/2"
SOK-3-2	1-1/4"	2"	up to 3/4"

1-1/2" DIAMETER KITS

Aluminum



PART	DIA.	BARREL LENGTH	HOLDS
SOK-10-151	1-1/2"	1"	up to 1/2"
SOK-10-152	1-1/2"	2"	up to 3/4"

STAINLESS STEEL KITS

316 Stainless Steel



PART	DIA.	BARREL LENGTH	HOLDS
SOK-SS50-1500	1/2"	1/2"	1/8" or 1/4"
SOK-SS100-3100	1"	1"	up to 1/2"

EDGE GRIP KITS

Aluminum



PART	DIA.	HOLDS
SOK-PEG75	3/4"	1/8" to 1/4"
SOK-PEG9	1"	1/8" to 1/2"
SOK-PEG3	1-1/4"	1/8" to 3/4"

PANEL CLIP KITS

Aluminum



PART	DIA.	HOLDS
SOK-PC-100	1"	1/8" to 1/4"
SOK-PC-125	1-1/4"	1/8" to 1/4"

FLUSH MOUNT KITS

GYFORD Flush Mount kits are ideal for installing your sign or artwork directly to a wall, where no space is needed between the surfaces. Gyford caps are polished and beautifully anodized in clear, black or brass finishes and include four (4) caps and installation hardware.

3/8" DIAMETER KITS

Aluminum



	PART	DIA.	HEIGHT
● ●	SOK-FMCAP7	3/8"	1/2"

- ⚙️ Custom finishes available
 - Available in brass anodize
 - Available in black anodize
 - Additional cost and lead time may apply

5/8" DIAMETER KITS

Aluminum



	PART	DIA.	HEIGHT
● ●	SOK-FMCAP8	5/8"	1/2"

- ⚙️ Custom finishes available
 - Available in brass anodize
 - Available in black anodize
 - Additional cost and lead time may apply

1" DIAMETER KITS

Aluminum



	PART	DIA.	HEIGHT
● ●	SOK-FMCAP9	1"	1/2"

- ⚙️ Custom finishes available
 - Available in brass anodize
 - Available in black anodize
 - Additional cost and lead time may apply

LED STANDOFF KITS

GYFORD LED Standoffs are available in easy-to-order kits. Each kit comes with everything you need for your project. Parts included:

(4) 1" Diameter x 1" length barrels drilled for LED installations (SO-9100-LED)

(4) 1" Diameter caps (SO-CAP9)

(4) Connecting studs for material from 1/4" to 1/2" thick

(4) LED Discs in your choice of

- Red
- White
- Blue
- Green
- Color Changing RGB*

(1) Power Supply - specify plug-in or hard wired

Installation Hardware

Instructions and Wiring Diagram

i (*) RGB Kits also include LED Driver and Wireless Remote Control



TWO PIECE LED STANDOFF EXPANSION KIT

We also have two-piece Expansion Packs for larger installations. Expansion packs do not come with power supplies and are intended to be used with the complete kits. Expansion packs include:

(2) 1" Diameter x 1" length barrels drilled for LED installations (SO-9100-LED)

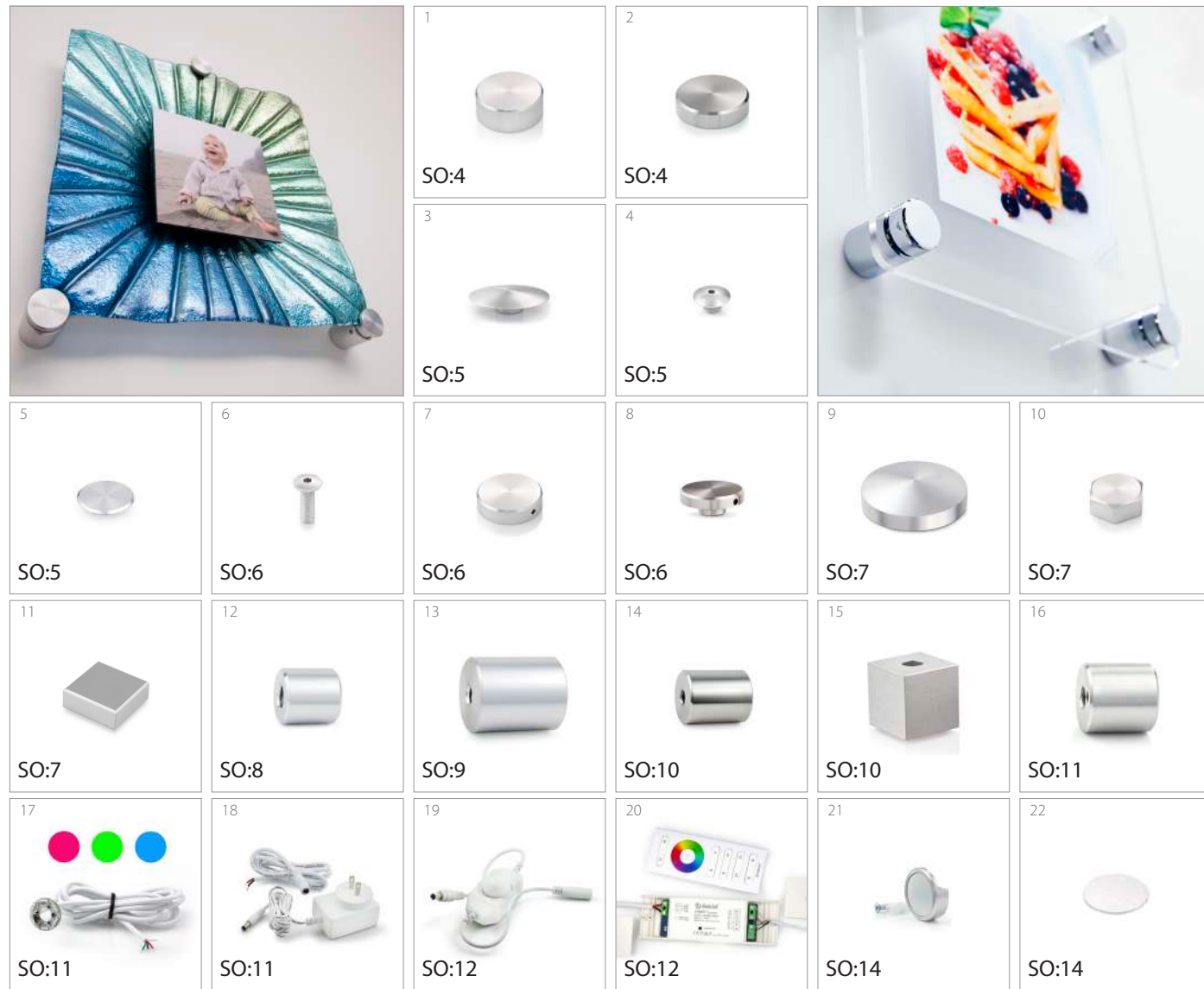
(2) 1" Diameter caps (SO-CAP9)

(2) Connecting studs for material from 1/4" to 1/2" thick

(2) LED Discs in your choice of colors



STANDOFFS INDEX



1	Standard Cap SO-CAP25, SO-CAP7, SO-CAP8, SO-CAP8CU, SO-CAP75, SO-CAP9, SO-CAP9CU, SO-CAP3, SO-CAP10, SO-CAP22R	SO:4	13	1-1/4" to 2" Diameter Standard Barrel SO-250, SO-625, SO-1, SO-115, SO-2, SO-3, SO-3, SO-4, SO-6, SO-8, SO-10, SO-12, SO-1525, SO-1505, SO-151,	SO:9
2	Stainless Steel Cap SO-SSCAP50, SO-SSCAP75, SO-SSCAP100, SO-SSCAP125	SO:4	14	1-1/4" to 2" Diameter Standard Barrel (cont.) SO-152, SO-153, SO-154, SO-201R, SO-202R, SO-203R, SO-204R, SO-206R	SO:9
3	Low Profile Cap SO-CAP11, SO-CAP11CU, SO-CAP12, SO-CAP12CU, SO-CAP13, SO-CAP23, SO-CAP14	SO:5	15	Stainless Steel Barrel SO-SS1500, SO-SS1750, SO-SS2500, SO-SS2750, SO-SS2100, SO-SS3750, SO-SS3100, SO-SS4100, SO-SS4150	SO:10
4	Low Profile Cap with Integrated Stud SO-CAP17, SO-CAP19	SO:5	16	Square Barrel SO-ASQ1, SO-ASQ2	SO:10
5	Finishing Cap with Integrated Stud SO-CAP15, SO-CAP26	SO:5	17	LED Standoff Barrel SO-9050-LED, SO-9100-LED	SO:11
6	Security Cap with Integrated stud SO-SCB	SO:6	18	LED Light Board SO-LED-RED, SO-LED-WHITE, SO-LED-BLUE, SO-LED-GREEN	SO:11
7	Security Cap SO-SC75, SO-SC9, SO-SC3, SO-SC10	SO:6	19	LED Power Supply SO-LED-PS, SO-LED-HWPS	SO:11
8	Stainless Steel Security Cap with Stem SO-SSCAP1R, SO-SSCAP2R, SO-SSCAP3, SO-SSCAP4	SO:6	20	LED Dimmer Switch SO-PC-100, SO-PC-125	SO:12
9	Extrusion Cap SL-1.25PCAP, SL-2.SPCAP	SO:7	21	Wireless Remote Control SO-PC-100, SO-PC-125	SO:12
10	Hex Cap SO-HCAP1, SO-HCAP2	SO:7	22	Panel Clip with Brushed Disc SO-APC-100, SO-APC-125	SO:14
11	Square Cap SO-CAP20	SO:7	23	Adhesive Finishing Disc for Panel Clips SO-DISC1, SO-DISC2	SO:14
12	1/4" to 1" Diameter Standard Barrel SO-2525, SO-025, SO-050, SO-010R, SO-500, SO-750, SO-100, SO-150, SO-200, SO-300, WS-BAR5, WS-BAR9	SO:8			
	1/4" to 1" Diameter Standard Barrel (cont.) WS-BAR11, SO-75050, SO-75075, SO-75100, SO-75125, SO-9025, SO-9050, SO-9075, SO-9100, SO-9100CU, SO-9150	SO:8			
	1/4" to 1" Diameter Standard Barrel (cont.) SO-9200, SO-9300, SO-9400, SO-9600	SO:8			

STANDOFFS INDEX







23	Standoff Gripper SO-AGR-250, SO-AGR-375, SO-AGR-500	SO:14	27	Non-Adjustable Edge Grip with Threaded Cap SO-AEGTC125-15, SO-AEGTC250-15, SO-AEGTC375-15, SO-AEGTC500-15	SO:17
24	Standoff Gripper with Base Plate SO-AGR-250WMBL, SO-AGR-375WMBT, SO-AGR-500WMBT	SO:15	28	Adjustable Edge Grip SO-APEG9, SO-APEG3, SO-APEG75	SO:18
25	Transition Ring SO-TR	SO:15	29	Variable Depth Standoff Assembly Call for assistance with specific parts and configurations	SO:18
26	Non-Adjustable Edge Grip with adhesive Cap SO-AEGC-125, SO-AEGC-250, SO-AEGC-375, SO-AEGC-500	SO:16	30	Double Adjustable Edge Grip SO-ADPEG9, SO-ADPEG3	SO:19
27	Non-Adjustable Edge Grip with Threaded Cap SO-AEGTC125-15, SO-AEGTC250-15, SO-AEGTC375-15, SO-AEGTC500-15	SO:17	31	Square Adjustable Edge Grip SO-APEG-SQ9, SO-APEG-SQ3	SO:19
28	Adjustable Edge Grip SO-APEG9, SO-APEG3, SO-APEG75	SO:18	32	Panel Hinge SO-AIH, SO-A125H	SO:20
29	Variable Depth Standoff Assembly Call for assistance with specific parts and configurations	SO:18	33	Panel Hinge with Caps SO-AIH-CAP9, SO-A125H-CAP3	SO:20
30	Double Adjustable Edge Grip SO-ADPEG9, SO-ADPEG3	SO:19	34	Standoff Mounting Kits SOK-7-050, SOK-7-050BL, SOK-8-500, SOK-8-500BL, SOK-8-500BR, SOK-8-500CR, SOK-8-750, SOK-8-750BL, SOK-8-100,	SO:22
31	Square Adjustable Edge Grip SO-APEG-SQ9, SO-APEG-SQ3	SO:19	35	Standoff Mounting Kits (cont.) SOK-8-100BL, SOK-75-075, SOK-75-100, SOK-75-125, SOK-9-050, SOK-9-050BL, SOK-9-050BR, SOK-9-100,	SO:22
32	Panel Hinge SO-AIH, SO-A125H	SO:20	36	Standoff Mounting Kits (cont.) SOK-3-1, SOK-3-2, SOK-10-151, SOK-10-152	SO:22
33	Panel Hinge with Caps SO-AIH-CAP9, SO-A125H-CAP3	SO:20	37	Stainless Steel Standoff Mounting Kits SOK-SS50-1500, SOK-SS100-3100	SO:23
34	Standoff Mounting Kits SOK-7-050, SOK-7-050BL, SOK-8-500, SOK-8-500BL, SOK-8-500BR, SOK-8-500CR, SOK-8-750, SOK-8-750BL, SOK-8-100,	SO:22	38	Edge Grip Kits SOK-PEG75, SOK-PEG9, SOK-PEG3	SO:23
35	Standoff Mounting Kits (cont.) SOK-8-100BL, SOK-75-075, SOK-75-100, SOK-75-125, SOK-9-050, SOK-9-050BL, SOK-9-050BR, SOK-9-100,	SO:22	39	Panel Clip Kits SO-PC-100, SO-PC-125	SO:23
36	Standoff Mounting Kits (cont.) SOK-3-1, SOK-3-2, SOK-10-151, SOK-10-152	SO:22	40	Flush Mount Kits SOK-PEG75, SOK-PEG9, SOK-PEG3	SO:24
37	Standoff Mounting Kits (cont.) SOK-8-100BL, SOK-75-075, SOK-75-100, SOK-75-125, SOK-9-050, SOK-9-050BL, SOK-9-050BR, SOK-9-100,	SO:22		LED Standoff Kit SO-PC-100, SO-PC-125	SO:25
38	Standoff Mounting Kits (cont.) SOK-3-1, SOK-3-2, SOK-10-151, SOK-10-152	SO:22		LED Standoff Expansion Kit SO-PC-100, SO-PC-125	SO:25
39	Standoff Mounting Kits (cont.) SOK-8-100BL, SOK-75-075, SOK-75-100, SOK-75-125, SOK-9-050, SOK-9-050BL, SOK-9-050BR, SOK-9-100,	SO:22			
40	Standoff Mounting Kits (cont.) SOK-8-100BL, SOK-75-075, SOK-75-100, SOK-75-125, SOK-9-050, SOK-9-050BL, SOK-9-050BR, SOK-9-100,	SO:22			




WL-Wire

Wire Systems Introduction	WL:2
WL 3/64" Wire Surface Mounts	WL:4
WL 3/64" Wire Panel Grippers	WL:6
WL 3/64" Wire Swaged Wire Packs	WL:7
WL Surface Mounted Panel Grippers	WL:9
WL Wire Suspension Kits	WL:10
WL Individual & Replacement Parts	WL:11
WL Wire Index	WL:12



WL-Wire is a sleek suspension system designed around 3/64" stainless steel wire. These components are best for suspending lightweight applications up to 15 lbs from any flat or angled surface.

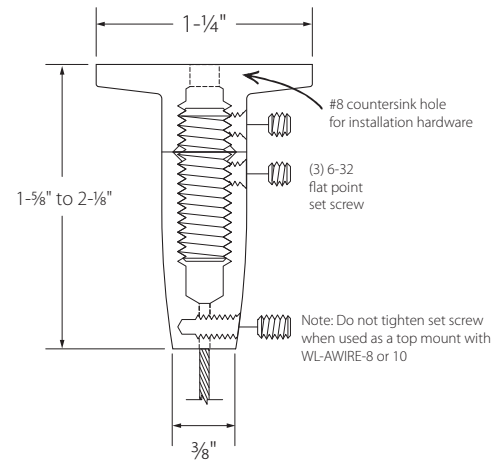
		WL WIRE	WS WIRE SUSPENSION	EZ ROD & WIRE		
		3/64" wire	3/64" wire	1/8" wire	3/8" rod	5/8" rod
Surface mounts 	Floor-to-ceiling	WL-A40 WL-A41	WS-A1B, WS-A27B WS-A1, WS-A27	EZ-A27 or EZ-AH28PO, EZ-APCA EZ-A28, EZ-A53	EZ-A31, EZ-AH32	EZ-A2.5WMBL
	Wall Mounted (angled)	WL-A42	WS-A6B, WS-A6	EZ-A19 or EZ-AH20PO, EZ-A20 EZ-A33-W125 or EZ-AH33-W125PO, EZ-A34-W125	EZ-AH24, EZ-A36-R375	
Wire/Rod Mounted Panel Grippers 	Vertical or horizontal Rotates to grip at any angle	WL-A45	WS-A3, WS-A4	EZ-A5, EZ-A6 EZ-A58, EZ-A59	EZ-A13, EZ-A14	EZ-A60, EZ-A61
	Fixed Horizontal Holds panels (shelves) horizontally		WS-AHEG	EZ-AHGC, EZ-AHDG		
	Fixed Vertical Holds panels vertically		WS-AWSC vert. or horiz.			
	Saddle gripper		WS-AEVG	EZ-AVGC	EZ-A16	EZ-A62
	Connector with cap		WS-AEVDG	EZ-AVDG	EZ-A56	EZ-A57
	Vertical panel gripper		WS-AESG, WS-A23, WS-A17, WS-AEPG	EZ-A8, EZ-A50, EZ-A43 or EZ-AH43PO	EZ-A52 or EZ-AH52	
Extrusion Mounted Components 			WS-A11B, WS-A11, WS-A26B, WS-A26			
			WS-A25	EZ-A40, EZ-A44, EZ-A63,64,65, EZ-A46,47,48, EZ-AH45PO, EZ-APW		
Shelving Components 	Spreader bar		WS-A28,29,30 WS-A18,19,20	EZ-A63,64,65 EZ-A46,47,48		
	Shelf hub					
	Panel connector					
	Turnbuckle (tensioning)					
	Pulley wheel			WS-A16, EZ-APW	EZ-AH45PO, EZ-APW	

-  **WL | Wire** *Light-weight system not to exceed 15 pounds**
-  **WS | Wire Suspension** *Medium-weight system not to exceed 50 pounds**
-  **EZ | Rod & Wire** *Heavier-weight system not to exceed 200 pounds**

Consult a Gyford Standoff Systems Client Solution Specialist with the specifics of your installation for assistance with selecting the proper components.

*Safe working loads must be taken into consideration in order to determine the structural integrity of the mounting surface, anchors and materials that are being suspended. Standoff Systems components are not structurally rated.

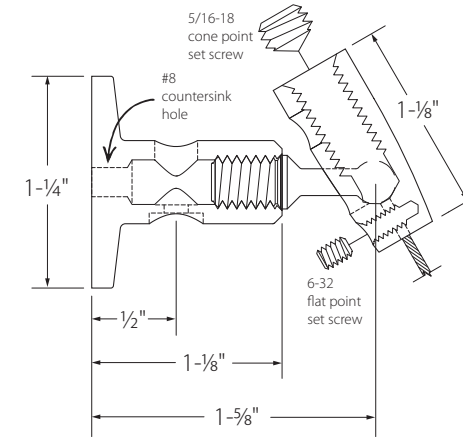
**WL 3/64" WIRE
TOP MOUNT TURNBUCKLE**
Aluminum



PART	CONNECTION	WIRE LENGTH
WL-A40	top and/or bottom mount	up to 8'

- Installation hardware included**
 - (1) All purpose wall anchor (HD-FDA1)
 - (1) Oval head screw (HD-PS2)
- Assembly hardware included**
 - (1) Cup point socket set screw (HD-S19)
 - (1) Flat point socket set screw (HD-FPT8)
 - (2) Flat point socket set screw (HD-FPT7)
- Tip**
 - Use 3/64" wire with swaged ball (WL-AWIRE8). See page WL:7
- Note**
 - Do not tighten set screw when used as a top mount with WL-AWIRE8

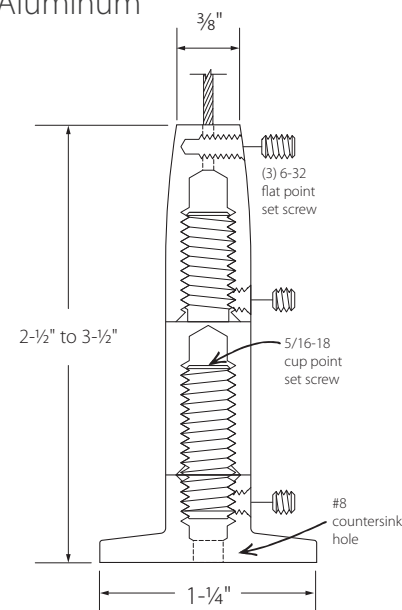
**WL 3/64" WIRE
WALL MOUNT**
Aluminum



PART	CONNECTION	WIRE LENGTH
WL-A42	top and/or bottom mount	up to 8'

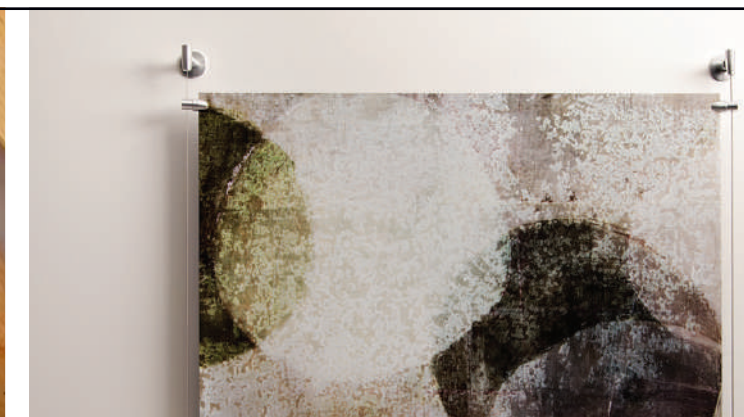
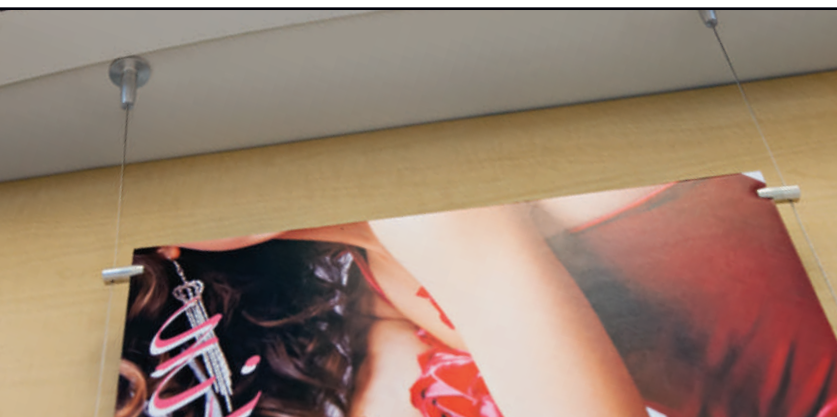
- Installation hardware included**
 - (1) All purpose wall anchor (HD-FDA1)
 - (1) Oval head screw (HD-PS2)
- Assembly hardware included**
 - (1) Cone point socket set screw (HD-CP9)
 - (1) Flat point socket set screw (HD-FPT8)
- Tip**
 - Use 3/64" wire with swaged ball (WL-AWIRE8). See page WL:7
- Note**
 - Installation requires 2" long shank phillips insert bit (HD-PD2), sold separately. See page HD:14

**WL 3/64" WIRE
BOTTOM MOUNT TURNBUCKLE**
Aluminum



PART	CONNECTION	WIRE LENGTH
WL-A41	bottom mount for larger spans	8' to 10'

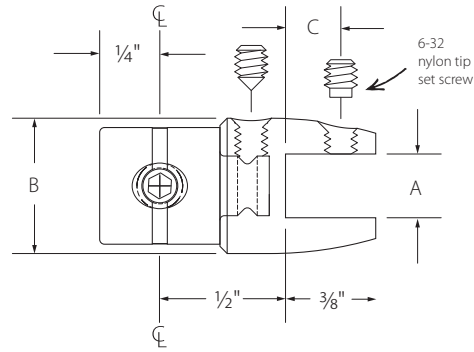
- Installation hardware included**
 - (1) All purpose wall anchor (HD-FDA1)
 - (1) Oval head screw (HD-PS2)
- Assembly hardware included**
 - (1) Cup point socket set screw (HD-S19)
 - (1) Flat point socket set screw (HD-FPT8)
 - (2) Flat point Socket Set Screw (HD-FPT7)
- Tip**
 - Use 3/64" wire with swaged ball (WL-AWIRE10). See page WL:7
- Note**
 - Turnbuckle body provides additional tension capability without twisting wire



WL 3/64" WIRE SINGLE GRIPPER
Aluminum

PART	HOLDS	SLOT WIDTH (A)	DIA. (B)	DEPTH (C)
WL-A45-188	3/16"	.218"	1/2"	1/4"
WL-A45-250	1/4"	.265"	9/16"	1/4"
WL-A45-375	3/8"	.390"	5/8"	3/16"

- Assembly hardware included**
- (1) Flat point socket set screw (HD-FPT2)
 - (1) Nylon tip socket set screw (HD-NT0) WL-A45-188
 - (1) Cone point socket set screw (HD-CP1) WL-A45-250, WL-A45-375
 - (1) Cone point socket set screw (HD-CP2)
- Note**
- Grippers rotate and can be fixed at any angle.



WL-A45-188
(For 3/16" material)



WL-A45-250
(For 1/4" material)



WL-A45-375
(For 3/8" material)

WL 3/64" WIRE WITH 1 BALL SWAGED END
Stainless Steel

PART	WIRE SIZE	LENGTH	INCLUDES
WL-AWIRE8	3/64" wire	8' 6"	8' 6" WS-Wire with one ball swaged end
WL-AWIRE10	3/64" wire	10' 6"	10' 6" WS-Wire with one ball swaged end

- Note**
- Cut to desired length at time of installation
- Tip**
- Use a wire bypass cutter to cut wire without fraying. See page HD:16



How-to Videos

www.standoffsystems.com/howto

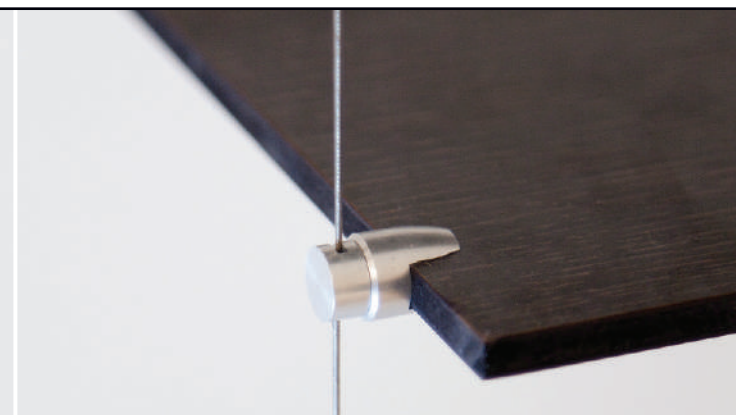
Visit our library of "how-to" videos on our website. Our Tech Lead will walk you through installing Gyford Standoff Systems parts and hardware.



How-to Videos

www.standoffsystems.com/howto

Visit our library of "how-to" videos on our website. Our Tech Lead will walk you through installing Gyford Standoff Systems parts and hardware.



WL PANEL GRIPPER WITH BASE PLATE
Aluminum

PART	HOLDS	SLOT WIDTH (A)	DIA. (B)	DEPTH (C)
WL-AUBC-188	3/16"	.218"	1/2"	1/4"
WL-AUBC-250	1/4"	.265"	9/16"	1/4"
WL-AUBC-375	3/8"	.390"	5/8"	3/16"

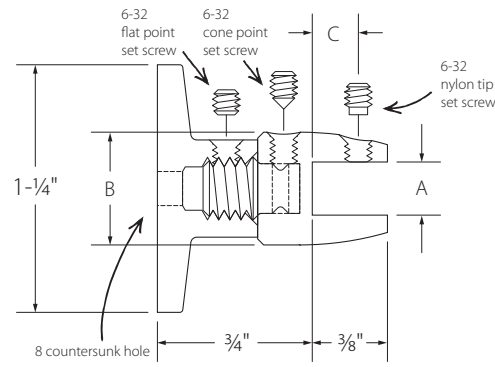
- Installation hardware included**
 - (1) All purpose wall anchor (HD-FDA1)
 - (1) Oval head screw (HD-PS2)
- Assembly hardware included**
 - (1) Flat point socket set screw (HD-FPT7)
 - (1) Nylon tip socket set screw (HD-NT0)

WL-AUBC-188

 - (1) Cone point socket set screw (HD-CP1)

WL-AUBC-250, WL-AUBC-375

 - (1) Cone point socket set screw (HD-CP2)
- Note**
 - Grippers rotate and can be fixed at any angle



WL ANGLED PANEL GRIPPER WITH BASE PLATE
Aluminum

PART	HOLDS	SLOT WIDTH (A)
WL-AACM-188	3/16"	.218"
WL-AACM-250	1/4"	.265"
WL-AACM-375	3/8"	.390"

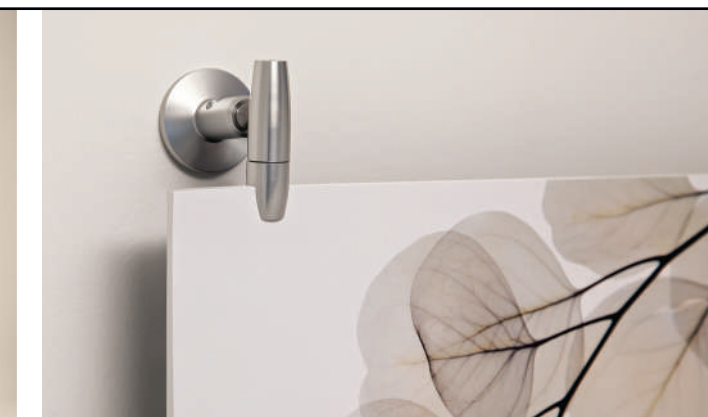
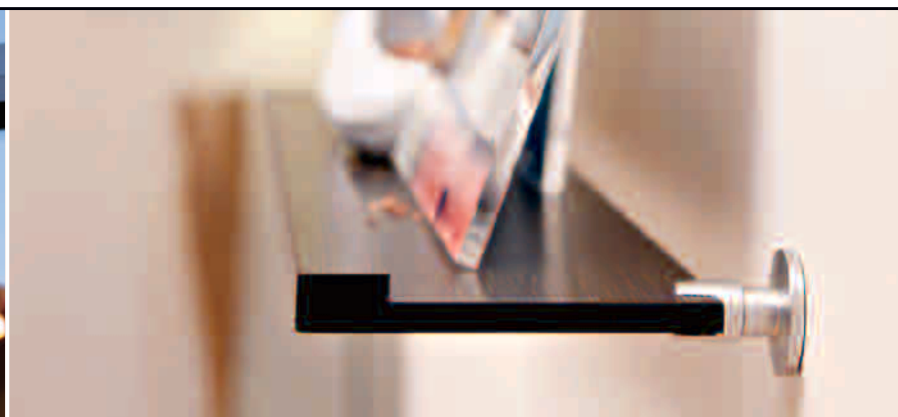
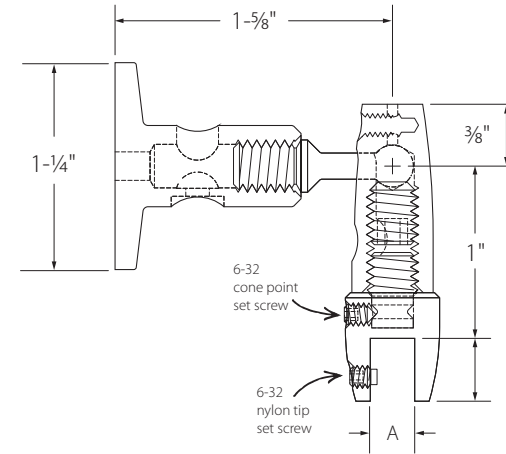
- Installation hardware included**
 - (1) All purpose wall anchor (HD-FDA1)
 - (1) Oval head screw (HD-PS2)
- Assembly hardware included**
 - (1) Cup point socket set screw (HD-S14)
 - (1) Nylon tip socket set screw (HD-NT0)

WL-AACM-188

 - (1) Cone point socket set screw (HD-CP1)

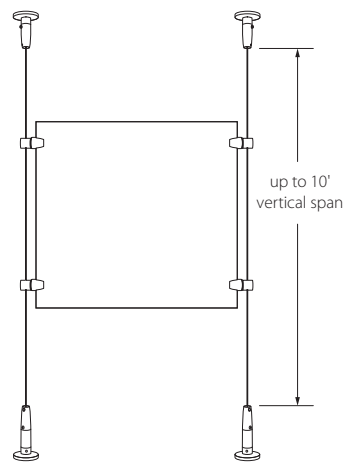
WL-AACM-250, WL-AACM-375

 - (1) Cone point socket set screw (HD-CP2)
- Tip**
 - Slide grippers onto rod before final installation attachment
- Note**
 - Grippers rotate and can be fixed at any angle



WL FLOOR TO CEILING MOUNTED WIRE SUSPENSION SYSTEM

Aluminum

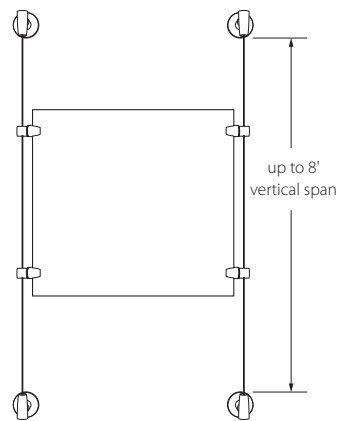


PART	WIRE SIZE	HOLDS
WLK-9	3/64"	3/16"
WLK-10	3/64"	1/4"

- Installation hardware included**
 - (4) Oval head screw (HD-PS2)
 - (4) All purpose wall anchor (HD-FDA1)
 - Assembly hardware included**
 - (2) 10' 3/64" swaged wire lengths (WL-AWIRE10)
 - (2) WL Top Mounts (WL-A40)
 - (2) WL Bottom Mounts (WL-A41)
- WLK-9**
- (4) WL Vertical Gripper (WL-A45-188)
- WLK-10**
- (4) WL Vertical Gripper (WL-A45-250)

WL WIRE WALL MOUNTED WIRE SUSPENSION SYSTEM

Aluminum



PART	WIRE SIZE	HOLDS
WLK-11	3/64"	3/16"
WLK-12	3/64"	1/4"

- Installation hardware included**
 - (4) Oval head screw (HD-PS2)
 - (4) All purpose wall anchor (HD-FDA1)
 - Assembly hardware included**
 - (2) 8' 3/64" swaged wire lengths (WL-AWIRE8)
 - (4) WL Top or Bottom Mounts (WL-A42)
- WLK-11**
- (4) WL Vertical Gripper (WL-A45-188)
- WLK-12**
- (4) WL Vertical Gripper (WL-A45-250)

WL INDIVIDUAL AND REPLACEMENT PARTS

Visit our website for product specifications

BASE MOUNTS & CONNECTORS

- WL-AEBM**
Extended Base Mount
- WL-AUBM**
Universal Base Mount
- WL-CCP**
Capstan Connection Pin
- WL-TBE**
Turnbuckle Extension
- WL-BP**
Ball Pin

WIRE CONNECTORS



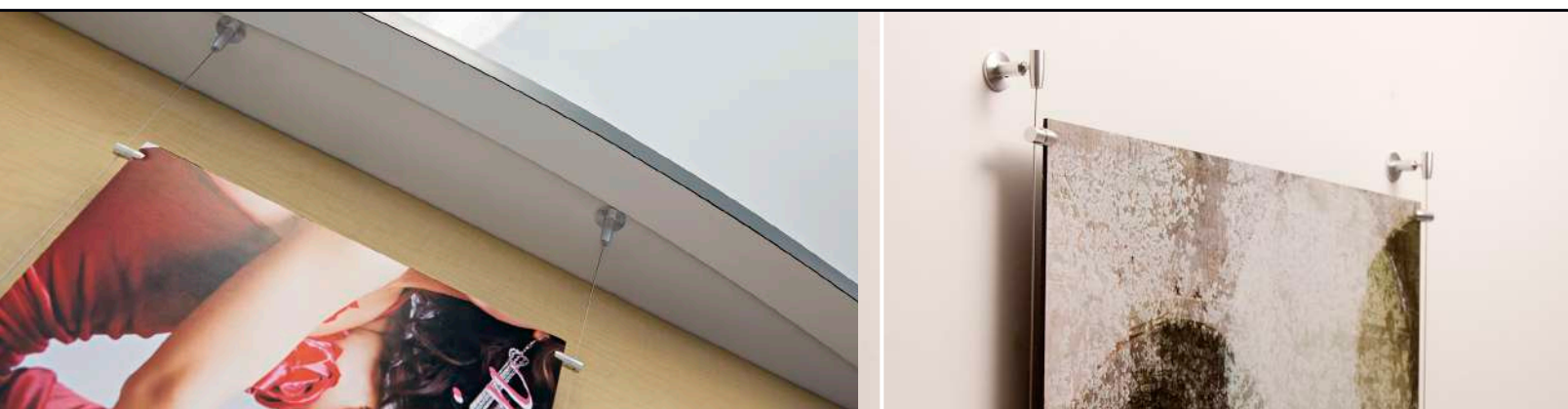
WIRE TURNBUCKLES

- WL-ARHWT**
Right Hand Wire Turnbuckle
- WL-ALHWT**
Left Hand Wire Turnbuckle
- WL-ASWT**
Swivel Wire Turnbuckle

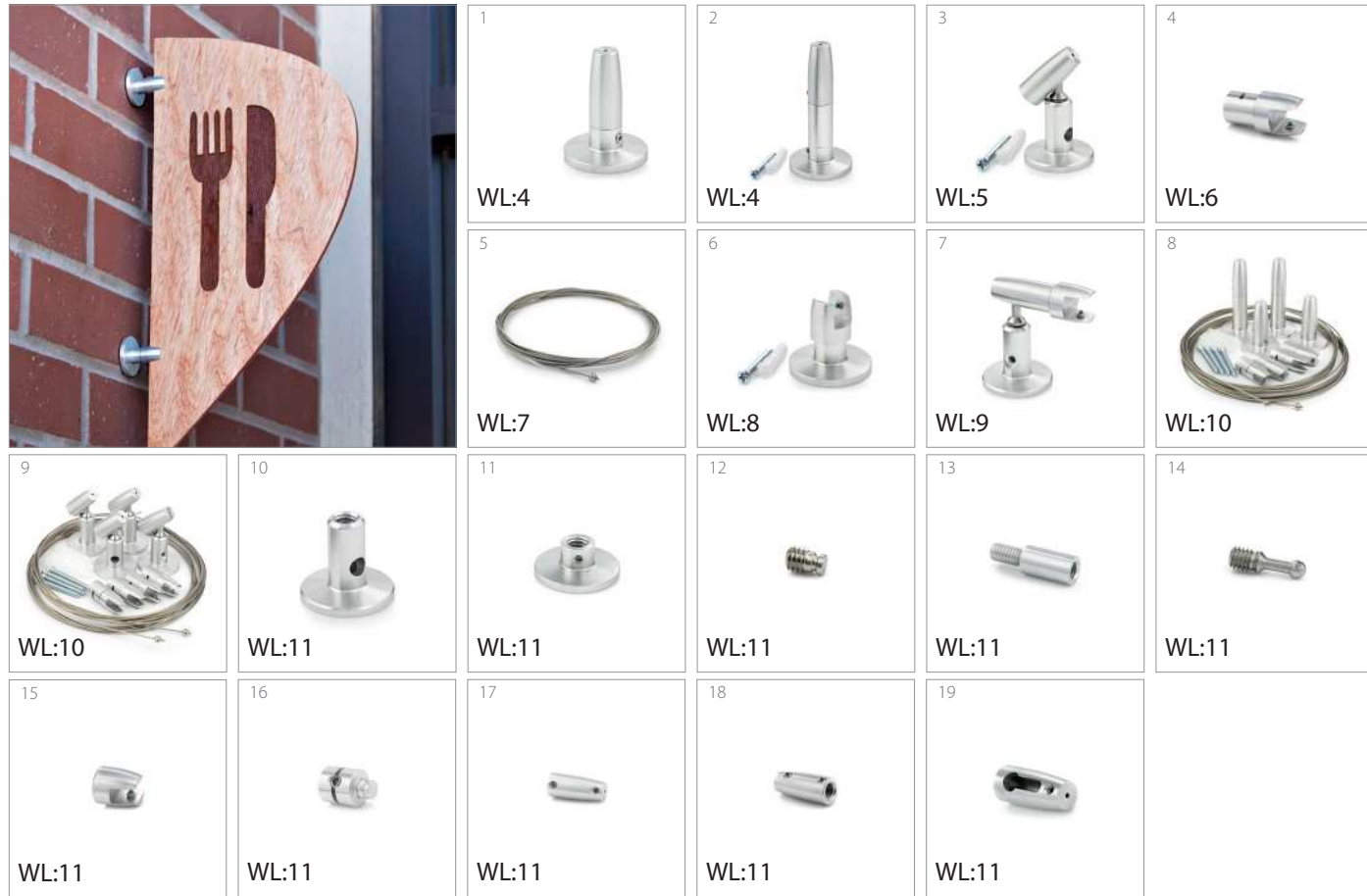
GRIPPERS

- WL-A188C**
3/16" Gripper
- WL-A250C**
1/4" Gripper
- WL-A375C**
3/8" Gripper

Note
• *Left hand threads are marked with a dimple on the turnbuckle body.



WL-WIRE INDEX



1	WL 3/64" Wire Top Mount Turnbuckle WL-A40	WL:4	12	WL Capstan Connection Pin WL-CCP	WL:11
2	WL 3/64" Wire Bottom Mount Turnbuckle WL-A41	WL:4	13	WL Tunbuckle Extension WL-TBE	WL:11
3	WL 3/64" Wire Wall Mount WL-A42	WL:5	14	WL Ball Pin WL-BP	WL:11
4	WL 3/64" Wire Single Gripper WL-A45-188, WL-A45-250, WL-A45-375	WL:6	15	WL Panel Gripper WL-A188C, WL-A250C, WL-A375C	WL:11
5	WL 3/64" Wire with 1 Ball Swaged End WL-AWIRE8, WL-AWIRE10	WL:7	16	WL 3/64" Wire Double Horizontal Connector WL-ADHWT	WL:11
6	WL Panel Gripper with Base Plate WL-AUBC-188, WL-AUBC-250, WL-AUBC-375	WL:8	17	WL 3/64" Wire Right Hand Turnbuckle Body WL-ARHWT	WL:11
7	WL Angled Panel Gripper with Base Plate WL-AACM-188, WL-AACM-250, WL-AACM-375	WL:9	18	WL 3/64" Wire Left Hand Turnbuckle Body WL-ALHWT	WL:11
8	WL Floor to Ceiling Mounted Wire Suspension System WLK-9, WLK-10	WL:10	19	WL 3/64" Wire Swivel Turnbuckle Body WL-ASWT	WL:11
9	WL Wall Mounted Wire Suspension System WLK-11, WLK-12	WL:10			
10	WL Extended Base Mount WL-AEBM	WL:11			
11	WL Universal Base Mount WL-AUBM	WL:11			



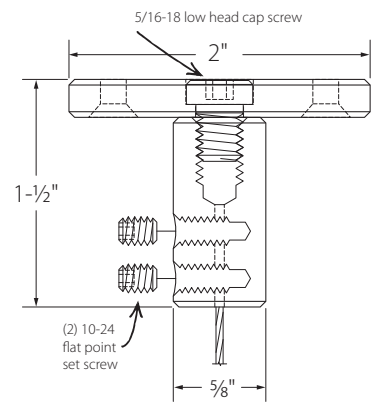
Wire Suspension

WS 3/64" Wire Surface Mounts	WS:2
WS 3/64" Wire Panel Grippers	WS:5
WS 3/64" Wire Saddle Grippers	WS:9
WS 3/64" Wire Connector with Cap	WS:9
WS 3/64" Wire Shelving Components	WS:10
WS 3/64" Wire	WS:13
WS 3/64" Wire Extrusion Mounts	WS:14
WS Surface Mounted Panel Grippers	WS:16
WS Wire Suspension Kits	WS:20
WS Individual & Replacement Parts	WS:21
WS Wire Suspension Index	WS:22



This Wire Suspension line is designed to support applications up to 50 lbs. This product line uses 3/64" stainless steel wire to suspend, grip and mount materials from fixed or angled surfaces.

WS 3/64" WIRE TOP MOUNT WITH BASE PLATE
Aluminum



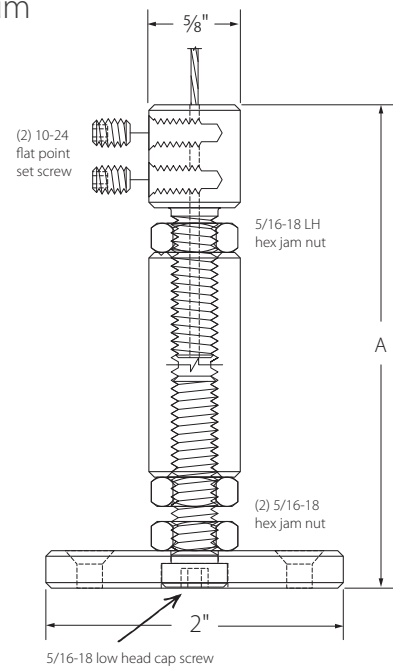
PART	CONNECTION	LENGTH	WIRE SIZE
WS-A1B	top mount	1-1/2"	3/64"



- Installation hardware included**
 - (3) Oval head screw (HD-PS2)
- Assembly hardware included**
 - (2) Flat point socket set screw (HD-FPT3)
 - (1) Low head socket cap screw (HD-LHD7)
- Tips**
 - Wire needed will be about 3" shorter than the distance between the mounting surfaces.
 - You can also mount directly to aluminum extrusion using an extrusion nut. See page WS:14



WS 3/64" WIRE BOTTOM MOUNT WITH BASE PLATE
Aluminum



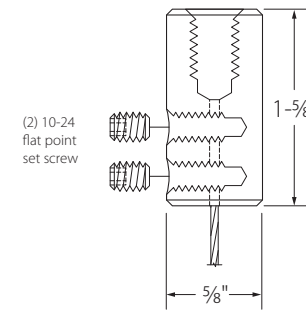
PART	CONNECTION	LENGTH (A)	WIRE SIZE
WS-A1	bottom mount	3-1/8" to 3-7/8"	3/64"



- Installation hardware included**
 - (3) Oval head screw (HD-PS2)
- Assembly hardware included**
 - (2) Flat point socket set screw (HD-FPT3)
 - (1) Low head socket cap screw (HD-LHD11S)
 - (2) Hex jam nut (HD-HJN3)
 - (1) Hex jam nut with left-hand thread (HD-HJN4)
- Tips**
 - Wire needed will be about 3" shorter than the distance between the mounting surfaces.
 - You can also mount directly to aluminum extrusion using an extrusion nut. See page WS:14



WS 3/64" WIRE TOP MOUNT WITH MOUNTING SCREW
Aluminum

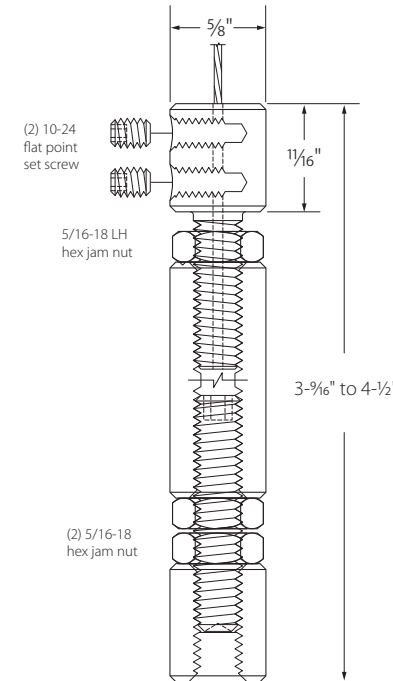


PART	CONNECTION	LENGTH	WIRE SIZE
WS-A27B	top mount	1-1/4"	3/64"



- Installation hardware included**
 - (1) Combination screw (HD-CBS1)
- Assembly hardware included**
 - (2) Flat point socket set screw (HD-FPT3)

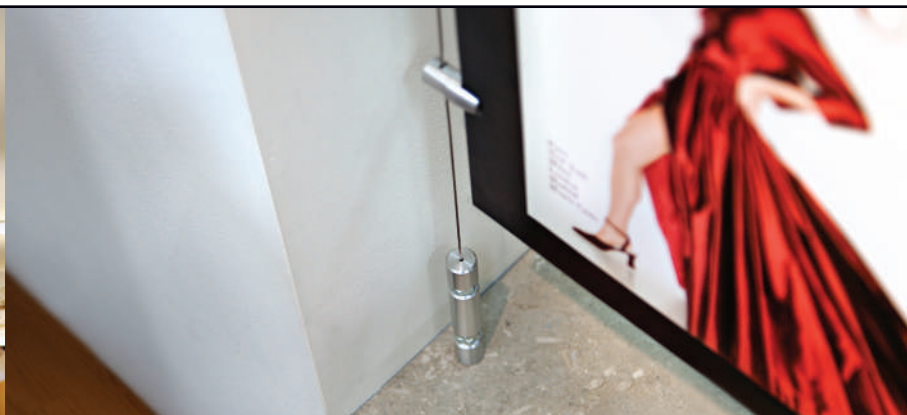
WS 3/64" WIRE BOTTOM MOUNT WITH MOUNTING SCREW
Aluminum



PART	CONNECTION	LENGTH	WIRE SIZE
WS-A27	bottom mount	3-9/16" to 4-1/2"	3/64"

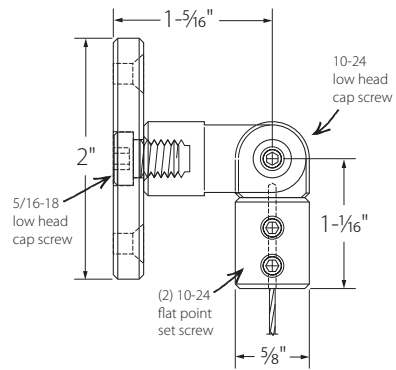


- Installation hardware included**
 - (1) Combination screw (HD-CBS1)
- Assembly hardware included**
 - (2) Flat point socket set screw (HD-FPT3)
 - (1) Hex jam nut with left-hand thread (HD-HJN4)
 - (2) Hex jam nut (HD-HJN3)
 - (1) Cup point socket set screw (HD-S22)



WS 3/64" WIRE HINGED TOP MOUNT WITH BASE PLATE
Aluminum

PART	CONNECTION	LENGTH	WIRE SIZE
WS-A6B	top mount	1-1/16"	3/64"



WS-A6B
(Top mount)

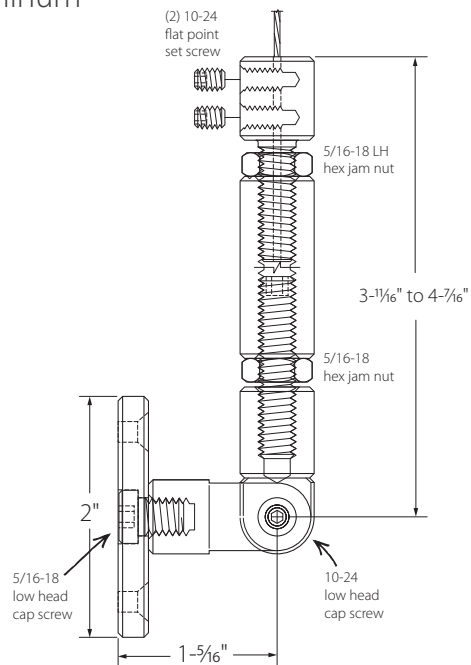


- Installation hardware included**
 - (3) Oval head screw (HD-PS2)
- Assembly hardware included**
 - (2) Flat point socket set screw (HD-FPT3)
 - (1) Low head socket cap screw (HD-LHD2)
 - (1) Low head socket cap screw (HD-LHD7)
- Tips**
 - Wire needed will be about 3" shorter than the distance between the mounting points
 - You can also mount directly to aluminum extrusion using an extrusion nut (WS-A26B). See page WS:15



WS 3/64" WIRE HINGED BOTTOM MOUNT WITH BASE PLATE
Aluminum

PART	CONNECTION	LENGTH	WIRE SIZE
WS-A6	bottom mount	3-11/16" to 4-7/16"	3/64"



WS-A6
(Bottom mount)

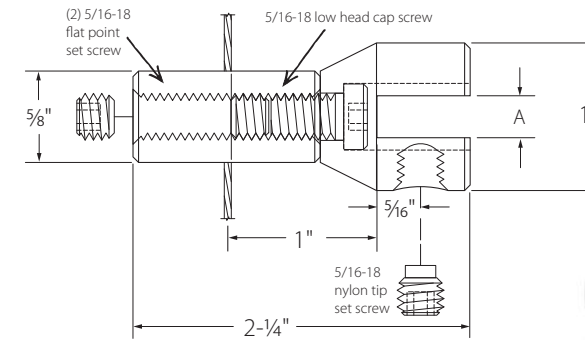


- Installation hardware included**
 - (3) Oval head screw (HD-PS2)
- Assembly hardware included**
 - (2) Flat point socket set screw (HD-FPT3)
 - (1) Low head socket cap screw (HD-LHD2)
 - (1) Low head socket cap screw (HD-LHD7)
 - (1) Hex jam nut with left-hand thread (HD-HJN4)
 - (1) Hex jam nut (HD-HJN3)
 - (1) Cup point socket cap screw (HD-S22)
- Tips**
 - Wire needed will be about 3" shorter than the distance between the mounting points
 - You can also mount directly to aluminum extrusion using an extrusion nut (WS-A26). See page WS:15



WS 3/64" WIRE SINGLE GRIPPER
Aluminum

PART	HOLDS	SLOT WIDTH (A)	LENGTH	WIRE SIZE
WS-A3-125	1/8"	.155"	2-1/4"	3/64"
WS-A3-250	1/4"	.280"	2-1/4"	3/64"
WS-A3-375	3/8"	.405"	2-1/4"	3/64"
WS-A3-500	1/2"	.530"	2-1/4"	3/64"

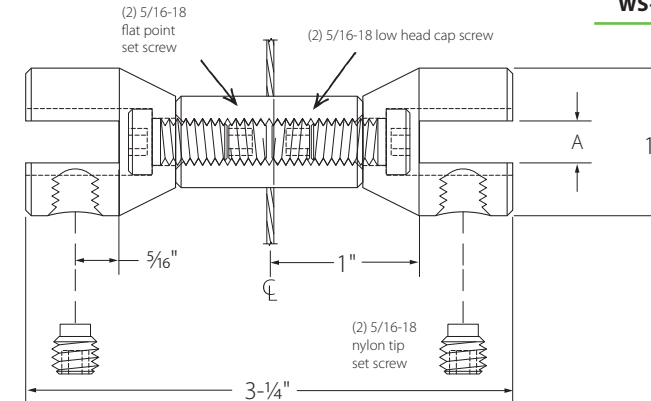


- Assembly hardware included**
 - (2) Flat point socket set screw (HD-FPT5)
 - (1) Low head socket cap screw (HD-LHD8)
- WS-A3-125
 - (1) Nylon tip socket set screw (HD-NT8)
- WS-A3-250, WS-A3-375, WS-A3-500
 - (1) Nylon tip socket set screw (HD-NT7)

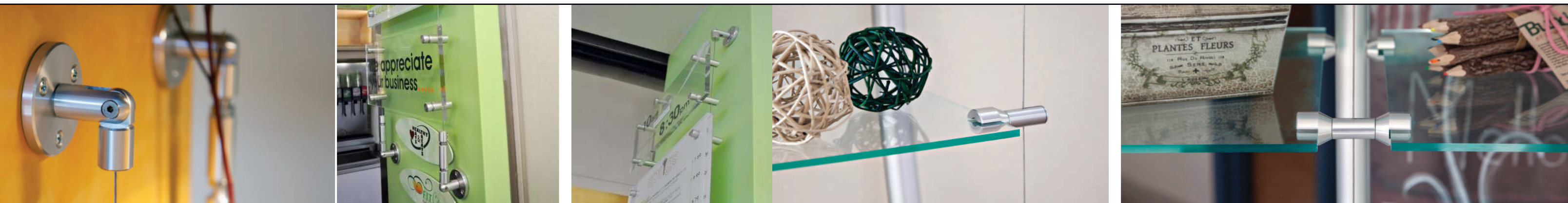
- Tip**
 - Add a finishing cap (SO-CAP26) to create a finished end. See page SO:5

WS 3/64" WIRE DOUBLE GRIPPER
Aluminum

PART	HOLDS	SLOT WIDTH (A)	LENGTH	WIRE SIZE
WS-A4-125	1/8"	.155"	3-1/4"	3/64"
WS-A4-250	1/4"	.280"	3-1/4"	3/64"
WS-A4-375	3/8"	.405"	3-1/4"	3/64"
WS-A4-500	1/2"	.530"	3-1/4"	3/64"

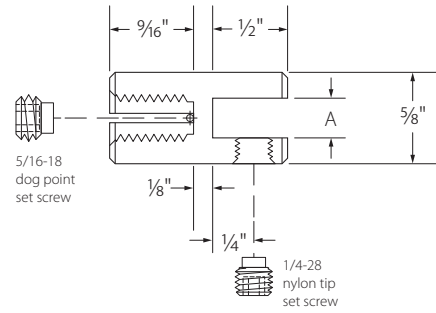


- Assembly hardware included**
 - (2) Flat point socket set screw (HD-FPT5)
 - (2) Low head socket cap screw (HD-LHD8)
- WS-A4-125
 - (2) Nylon tip socket set screw (HD-NT8)
- WS-A4-250, WS-A4-375, WS-A4-500
 - (2) Nylon tip socket set screw (HD-NT7)



WS 3/64" WIRE ECONO VERTICAL GRIPPER
Aluminum

PART	HOLDS	SLOT WIDTH (A)	LENGTH	WIRE SIZE
WS-AEVG-125	1/8"	.185"	1-3/16"	3/64"
WS-AEVG-250	1/4"	.265"	1-3/16"	3/64"



- Assembly hardware included**
- (1) Nylon tip socket set screw (HD-NT6)
 - (1) Dog point socket set screw (HD-DP2)

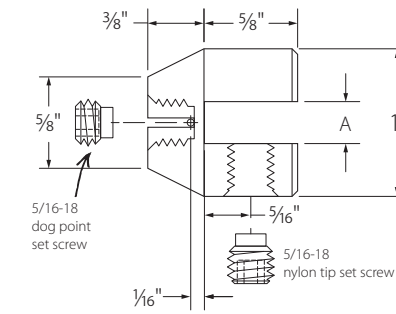
Tip

- Add a finishing cap (SO-CAP26) to create a finished end. See page SO:5



WS 3/64" WIRE SHELF OR PANEL GRIPPER
Aluminum

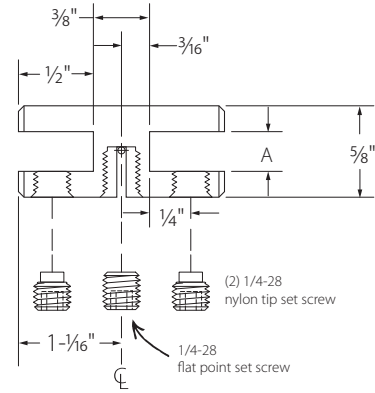
PART	HOLDS	SLOT WIDTH (A)	LENGTH	WIRE SIZE
WS-AWSC-250	1/4"	.280"	1"	3/64"
WS-AWSC-375	3/8"	.405"	1"	3/64"
WS-AWSC-500	1/2"	.530"	1"	3/64"



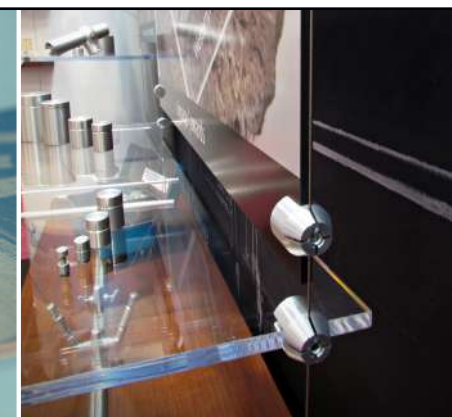
- Assembly hardware included**
- (1) Nylon tip socket set screw (HD-NT7)
 - (1) Dog point socket set screw (HD-DP2)

WS 3/64" WIRE ECONO DOUBLE VERTICAL GRIPPER
Aluminum

PART	HOLDS	SLOT WIDTH (A)	LENGTH	WIRE SIZE
WS-AEVDG-125	1/8"	.185"	1-3/8"	3/64"
WS-AEVDG-250	1/4"	.265"	1-3/8"	3/64"

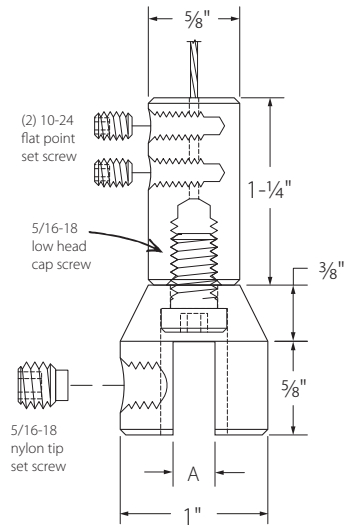


- Assembly hardware included**
- (2) Nylon tip socket set screw (HD-NT6)
 - (1) Flat point socket set screw (HD-FPT45)



WS 3/64" WIRE VERTICAL GRIPPER
Aluminum

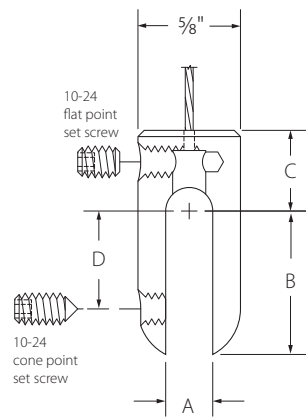
PART	HOLDS	SLOT WIDTH (A)	LENGTH
WS-A17-125	1/8"	.155"	2-1/4"
WS-A17-250	1/4"	.280"	2-1/4"
WS-A17-375	3/8"	.405"	2-1/4"
WS-A17-500	1/2"	.530"	2-1/4"



- Assembly hardware included**
- (2) Flat point socket set screw (HD-FPT3)
 - (1) Low head socket cap screw (HD-LHD8)
- WS-A17-125
- (1) Nylon tip socket set screw (HD-NT8)
- WS-A17-250, WS-A17-375, WS-A17-500
- (1) Nylon tip socket set screw (HD-NT7)

WS 3/64" WIRE VERTICAL THRU-HOLE GRIPPER
Aluminum

PART	HOLDS	SLOT WIDTH (A)	DEPTH (B)	TO SLOT (C)	TO SET SCREW (D)
WS-AEPG-125R	1/8"	.157"	15/16"	7/16"	5/8"
WS-AEPG-250R	1/4"	.280"	7/8"	1/2"	5/8"



WS-AEPG-125R
(For 1/8" material)



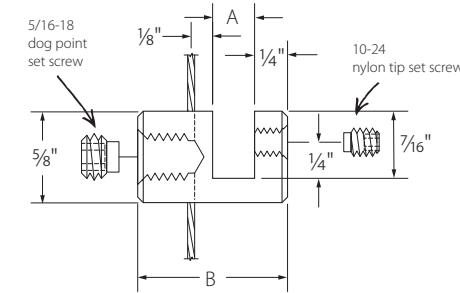
WS-AEPG-250R
(For 1/4" material)

- Assembly hardware included**
- (1) Flat point socket set screw (HD-FPT3)
 - (1) Cone point socket set screw (HD-CP55)
- Note**
- If using with a swaged wire pack, do not use flat point socket set screw (HD-FPT3)
- Tip**
- Use in combination with our Drop Ceiling Clip (HD-DCLIP) for attachment to T-bar drop ceilings. See page HD:11



WS 3/64" WIRE SADDLE GRIPPER
Aluminum

PART	HOLDS	SLOT WIDTH (A)	LENGTH (B)	WIRE SIZE
WS-AESG-250	1/4"	.280"	1"	3/64"
WS-AESG-375	3/8"	.405"	1-1/8"	3/64"



WS-AESG-250
(For 1/4" material)

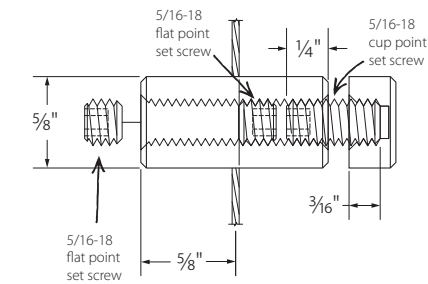


WS-AESG-375
(For 3/8" material)

- Assembly hardware included**
- (1) Nylon tip socket set screw (HD-NT1)
 - (1) Dog point socket set screw (HD-DP2)

WS 3/64" WIRE HORIZONTAL CONNECTOR WITH CAP
Aluminum

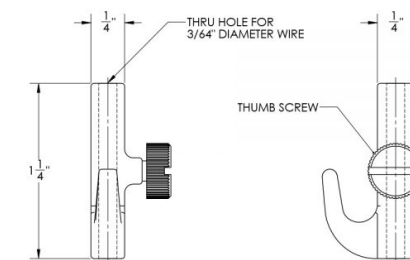
PART	LENGTH	WIRE SIZE
WS-A23	1-9/16"	3/64"



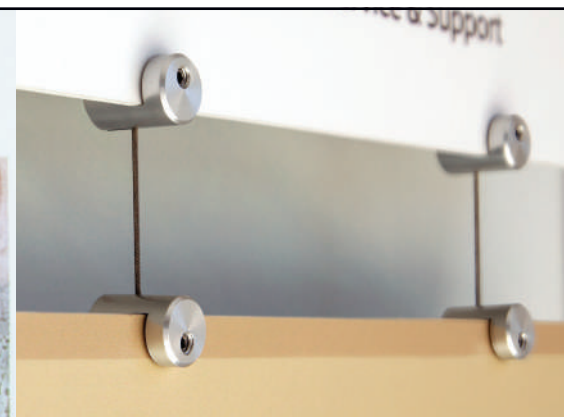
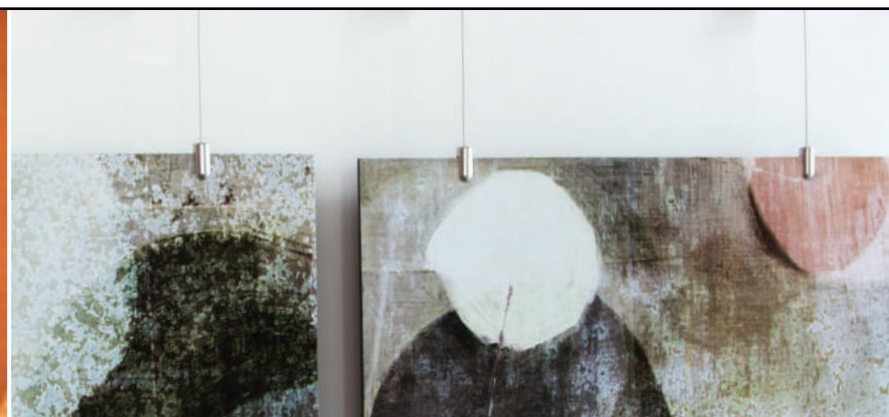
WS-A23

- Assembly hardware included**
- (2) Flat point socket set screw (HD-FPT5)
 - (1) Threaded stud up to 1-1/2" long. Specify stud or material thickness. See page HD:2

GALLERY HOOK
To hang gallery images



PART	FITS
HD-HOOK-062	3/64" wire

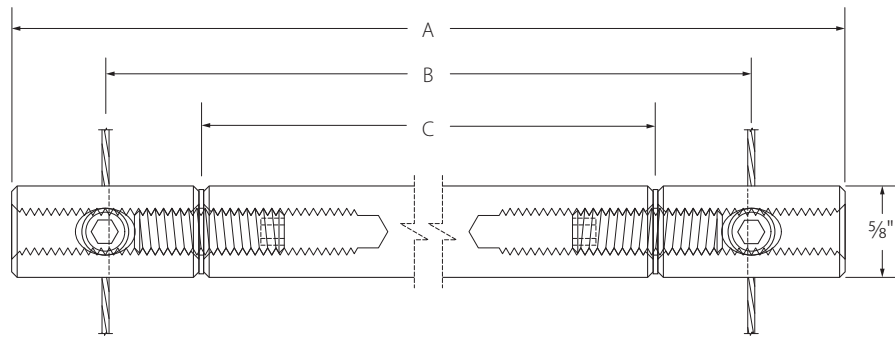


WS 3/64" WIRE SPREADER BAR
Aluminum

PART	LENGTH (A)	DISTANCE BTW. WIRES (B)	BAR LENGTH (C)	DIA.	WIRE SIZE
WS-A18	8-1/4"	7"	5-3/4"	5/8"	3/64"
WS-A19	12-1/4"	11"	9-3/4"	5/8"	3/64"
WS-A20	14-1/4"	13"	11-3/4"	5/8"	3/64"

- Assembly hardware included**
- (4) Flat point socket set screw (HD-FPT5)
 - (2) Silicone timing washer (HD-563RW)
 - (2) Cup point socket set screw (HD-S20)

Tip
• Add a finishing cap (SO-CAP26) to create a finished end. See page SO:5



WS-A18



WS-A19



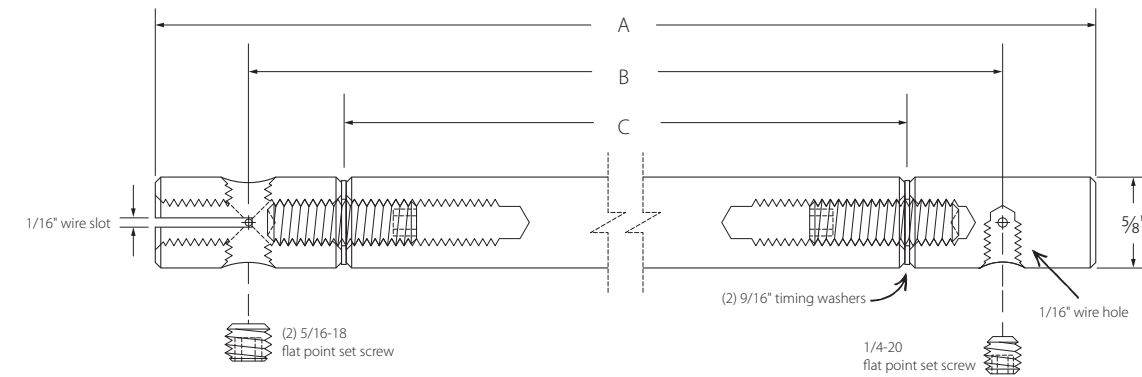
WS-A20



WS 3/64" WIRE SPREADER BAR WITH ONE FINISHED END
Aluminum

PART	LENGTH (A)	DISTANCE BTW. WIRES (B)	BAR LENGTH (C)	DIA.	WIRE SIZE
WS-A28	8-1/4"	7"	5-3/4"	5/8"	3/64"
WS-A29	12-1/4"	11"	9-3/4"	5/8"	3/64"
WS-A30	14-1/4"	13"	11-3/4"	5/8"	3/64"

- Assembly hardware included**
- (2) Flat point socket set screw (HD-FPT5)
 - (1) Flat point socket set screw (HD-FPT4)
 - (2) Silicone timing washer (HD-563RW)
 - (2) Cup point socket set screw (HD-S20)



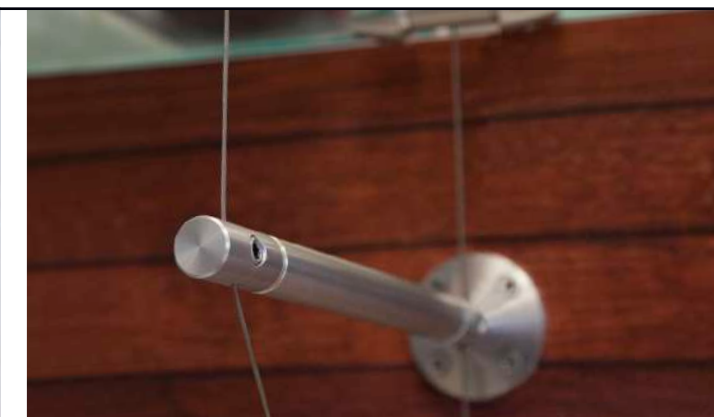
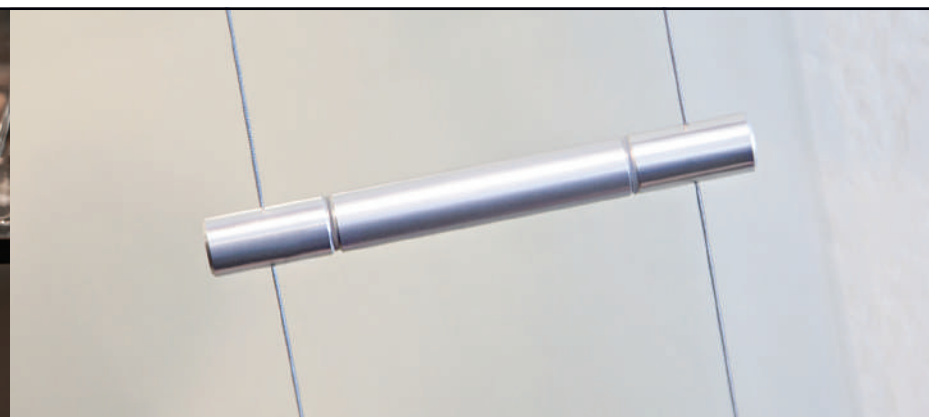
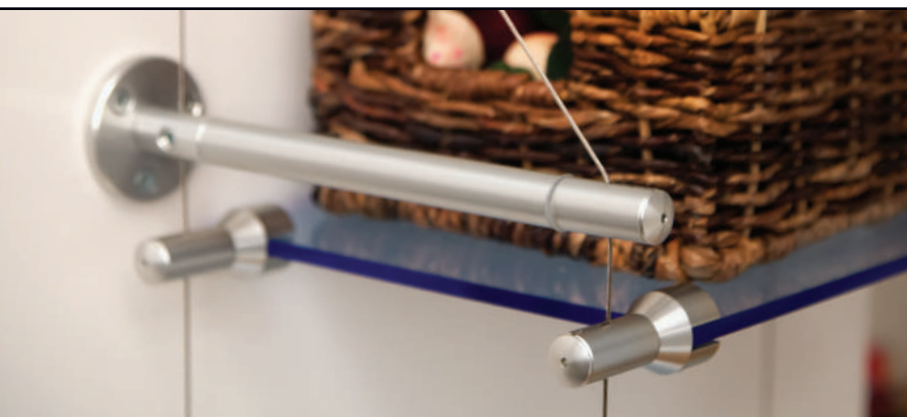
WS-A28



WS-A29

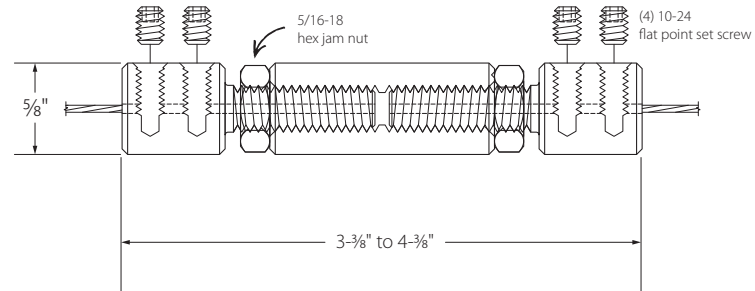


WS-A30



WS 3/64" WIRE FLYING TURNBUCKLE
Aluminum

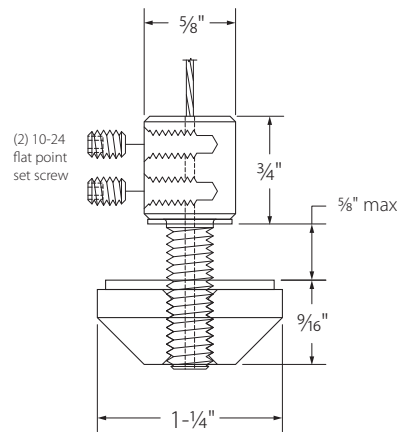
PART	DESCRIPTION	LENGTH	WIRE SIZE
WS-A16	flying turnbuckle assembly	3-3/8" to 4-3/8"	3/64"



- Assembly hardware included**
- (4) Flat point socket set screw (HD-FPT3)
 - (1) Hex jam nut (HD-HJN3)
 - (1) Hex jam nut with left-hand thread (HD-HJN4)
- Note**
- This part connects two ends of a single wire or the ends of two different wires. It is primarily used to tension wire in a shelving system or other application where a continuous wire is required

WS 3/64" WIRE SHELF HUB
Aluminum

PART	HOLDS	LENGTH	WIRE SIZE
WS-A25	1/8" to 5/8"	max 1-15/16"	3/64"



- Assembly hardware included**
- (2) Flat point socket set screw (HD-FPT3)
 - (1) Vinyl washer (HD-NW-563)
 - (1) Vinyl washer (HD-NW-1.125)

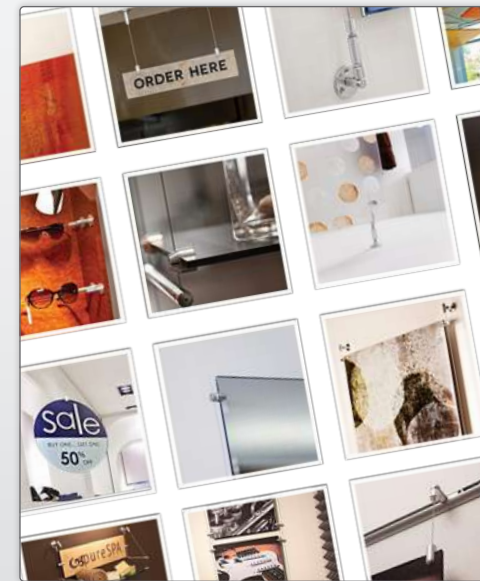
WS 3/64" WIRE
Stainless Steel

PART	WIRE SIZE	LENGTH
WS-WIRE	3/64"	sold by the foot



WS-WIRE
(3/64" wire)

- Note**
- Cut to desired length at time of installation
- Tip**
- Use a wire bypass cutter to cut wire without fraying. See page HD:16



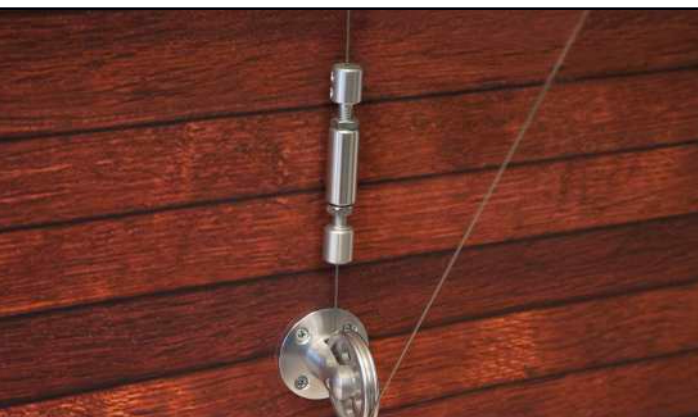
Inspirational Photo Galleries
www.standoffsystems.com/photo-gallery

Application Galleries

- Signage/Awards
- Interior Design/Construction
- Shelving/Displays
- Art/Framing
- Retail/POP
- Exhibits/Museums

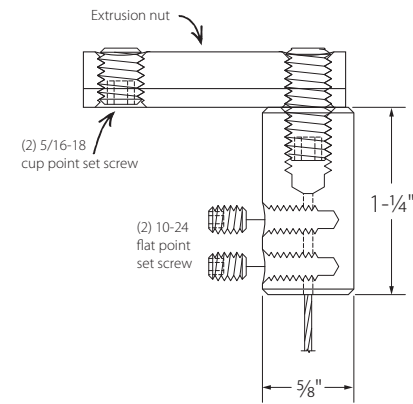
Product Line Galleries

- SO | Standoffs
- WS | Wire Suspension
- WL | Rod & Wire
- EZ | Rod & Wire
- SL | StructureLite



WS 3/64" WIRE TOP EXTRUSION MOUNT
Aluminum

PART	CONNECTION	LENGTH	WIRE SIZE
WS-A11B	top mount	1-1/4"	3/64"

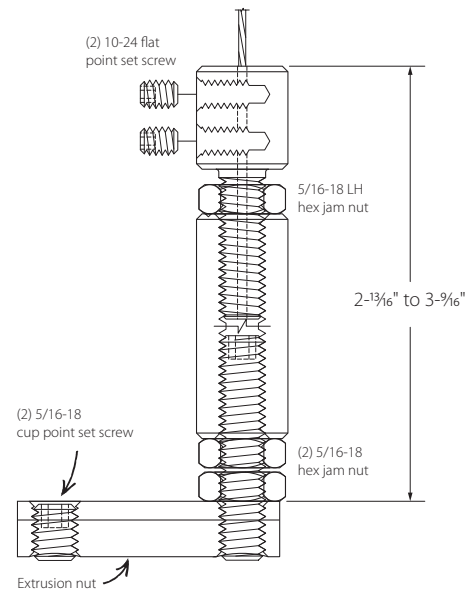


WS-A11B
(Top mount)

- Assembly hardware included**
- (2) Flat point socket set screw (HD-FPT3)
 - (1) Cup point socket set screw (HD-S15)
 - (1) Cup point socket set screw (HD-S18)
- Tip**
- For our extrusion track mounting options, see extrusion starting on page SL:2

WS 3/64" WIRE BOTTOM EXTRUSION TURNBUCKLE
Aluminum

PART	CONNECTION	LENGTH	WIRE SIZE
WS-A11	bottom mount	2-13/16" to 3-9/16"	3/64"

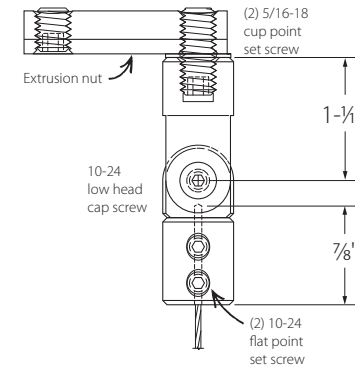


WS-A11
(Bottom mount)

- Assembly hardware included**
- (2) Flat point socket set screw (HD-FPT3)
 - (1) Cup point socket set screw (HD-S15)
 - (1) Cup point socket set screw (HD-S22)
 - (2) Hex jam nut (HD-HJN3)
 - (1) Left hand hex jam nut (HD-HJN4)
- Tip**
- For our extrusion track mounting options, see extrusion starting on page SL:2

WS 3/64" WIRE HINGED TOP EXTRUSION MOUNT
Aluminum

PART	CONNECTION	LENGTH	WIRE SIZE
WS-A26B	top mount	2-3/16"	3/64"

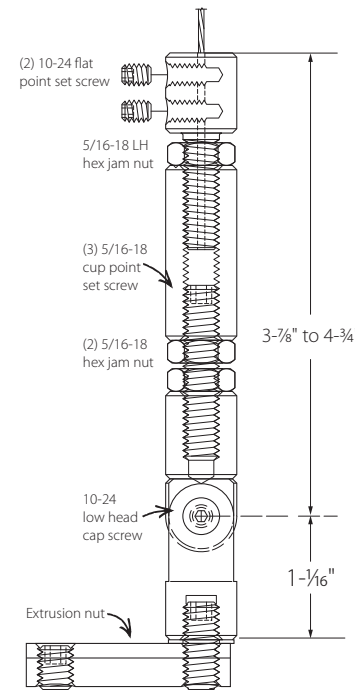


WS-A26B
(Top mount)

- Assembly hardware included**
- (2) Flat point socket set screw (HD-FPT3)
 - (1) Cup point socket set screw (HD-S15)
 - (1) Cup point socket set screw (HD-S18)
 - (1) Low head socket cap screw (HD-LHD2)
 - (1) Silicone timing washer (HD-563RW)

WS 3/64" WIRE HINGED BOTTOM EXTRUSION MOUNT
Aluminum

PART	CONNECTION	LENGTH	WIRE SIZE
WS-A26	bottom mount	4-5/16" to 5-13/16"	3/64"



WS-A26
(Bottom mount)

- Assembly hardware included**
- (2) Flat point socket set screw (HD-FPT3)
 - (1) Cup point socket set screw (HD-S15)
 - (1) Cup point socket set screw (HD-S18)
 - (2) Hex jam nut (HD-HJN3)
 - (1) Left hand hex jam nut (HD-HJN4)
 - (1) Low head socket cap screw (HD-LHD2)
 - (1) Silicone timing washer (HD-563RW)
 - (1) Cup point socket set screw (HD-S22)



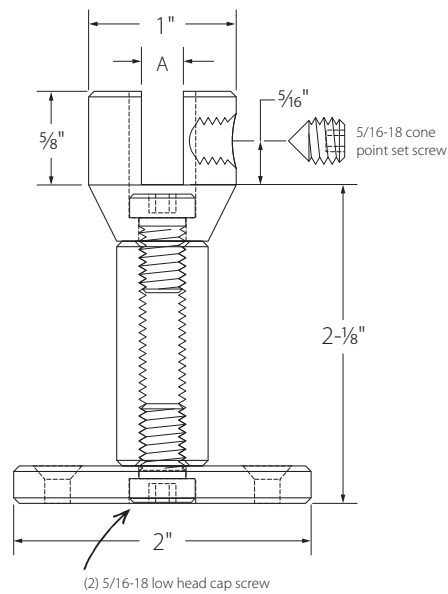
WS EXTENDED PANEL GRIPPER WITH BASE PLATE
Aluminum

PART	HOLDS	SLOT WIDTH (A)	HEIGHT
WS-A2B-125	1/8"	0.155"	2-3/4"
WS-A2B-250	1/4"	0.280"	2-3/4"
WS-A2B-375	3/8"	0.405"	2-3/4"
WS-A2B-500	1/2"	0.530"	2-3/4"

Installation hardware included
• (3) Oval head screw (HD-PS2)

Assembly hardware included
• (2) Low head socket cap screw (HD-LHD8)
WS-A2B-125, WS-A2B-250, WS-A2B-375
• (1) Cone point socket set screw (HD-CP10)
WS-A2B-500
• (1) Cone point socket set screw (HD-CP9)

Tips
• Need a different height? Custom barrel sizes are also available



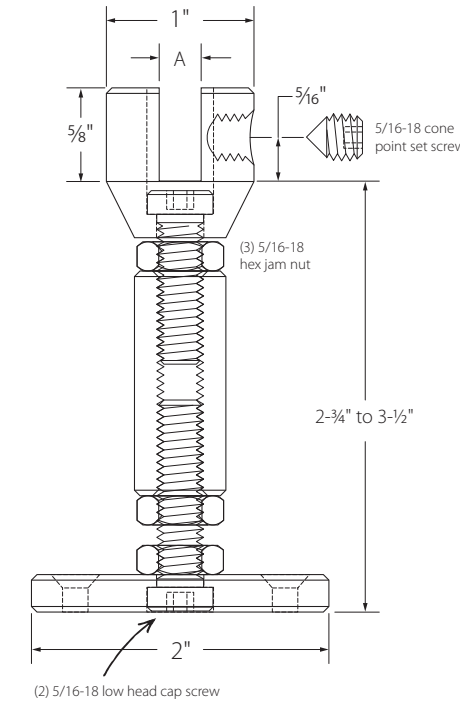
WS ADJUSTABLE PANEL GRIPPER WITH BASE PLATE
Aluminum

PART	HOLDS	SLOT WIDTH (A)	HEIGHT
WS-A2-125	1/8"	0.155"	3-3/8" to 4-1/8"
WS-A2-250	1/4"	0.280"	3-3/8" to 4-1/8"
WS-A2-375	3/8"	0.405"	3-3/8" to 4-1/8"
WS-A2-500	1/2"	0.530"	3-3/8" to 4-1/8"

Installation hardware included
• (3) Oval head screw (HD-PS2)

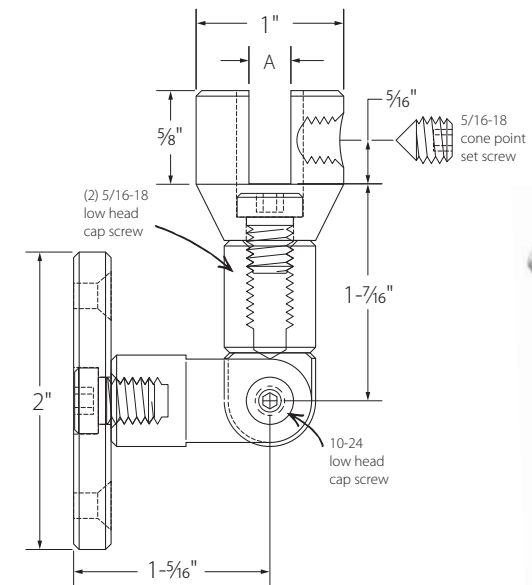
Assembly hardware included
• (1) Low head socket cap screw (HD-LHD10S)
• (1) Low head socket cap screw (HD-LHD11S)
• (3) Hex jam nut (HD-HJN3)
WS-A2-125, WS-A2-250, WS-A2-375
• (1) Cone point socket set screw (HD-CP10)
WS-A2-500
• (1) Cone point socket set screw (HD-CP9)

Tips
• Need a different height? Custom barrel sizes are also available



WS HINGED EXTENDED PANEL GRIPPER WITH BASE PLATE
Aluminum

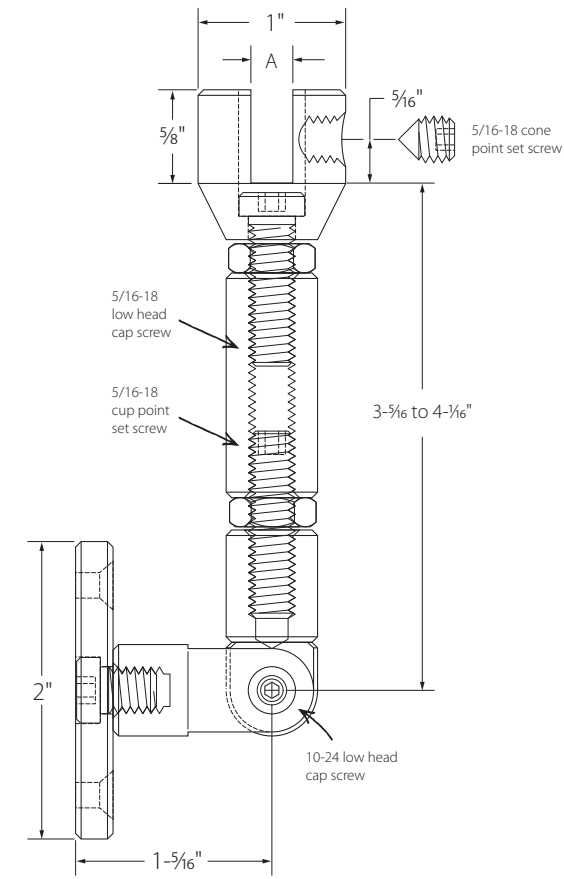
PART	HOLDS	SLOT WIDTH (A)	HINGE TO SLOT
WS-A7B-125	1/8"	0.155"	1-7/16"
WS-A7B-250	1/4"	0.280"	1-7/16"
WS-A7B-375	3/8"	0.405"	1-7/16"
WS-A7B-500	1/2"	0.530"	1-7/16"



- Installation hardware included**
 - (3) Oval head screw (HD-PS2)
- Assembly hardware included**
 - (2) Low head socket cap screw (HD-LHD7)
 - (1) Low head socket cap screw (HD-LHD2)
 - WS-A7B-125, WS-A7B-250, WS-A7B-375
 - (1) Cone point socket set screw (HD-CP10)
 - WS-A7B-500
 - (1) Cone point socket set screw (HD-CP9)

WS ADJUSTABLE HINGED PANEL GRIPPER WITH BASE PLATE
Aluminum

PART	HOLDS	SLOT WIDTH (A)	HINGE TO SLOT
WS-A7-125	1/8"	0.155"	3-5/16" to 4-1/16"
WS-A7-250	1/4"	0.280"	3-5/16" to 4-1/16"
WS-A7-375	3/8"	0.405"	3-5/16" to 4-1/16"
WS-A7-500	1/2"	0.530"	3-5/16" to 4-1/16"



- Installation hardware included**
 - (3) Oval head screw (HD-PS2)
- Assembly hardware included**
 - (1) Low head socket cap screw (HD-LHD7)
 - (1) Low head socket cap screw (HD-LHD10S)
 - (1) Low head socket cap screw (HD-LHD2)
 - (1) Cup point socket set screw (HD-S22)
 - (2) Hex jam nut (HD-HJN3)
 - WS-A7-125, WS-A7-250, WS-A7-375
 - (1) Cone point socket set screw (HD-CP10)
 - WS-A7-500
 - (1) Cone point socket set screw (HD-CP9)

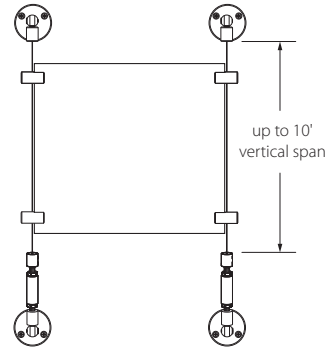


How-to Videos
www.standoffsystems.com/howto

Visit our library of "how-to" videos on our website. Our Tech Lead will walk you through installing Gyford Standoff Systems parts and hardware.



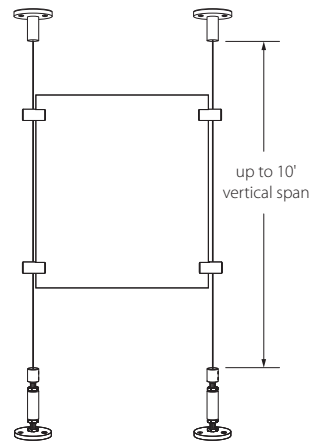
WS WIRE WALL MOUNTED WIRE SUSPENSION SYSTEM
Aluminum



PART	WIRE SIZE	HOLDS
WSK-1	3/64"	1/8"
WSK-2	3/64"	1/4"

- Installation hardware included**
 - (12) Oval head screw (HD-PS2)
- Assembly hardware included**
 - (2) WS Top Mounts (WS-A6B)
 - (2) WS Bottom Mounts (WS-A6)
 - (1) 20' Long 3/64" Wire (WS-WIRE)

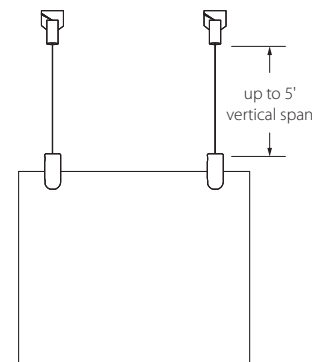
WS WIRE FLOOR TO CEILING WIRE SUSPENSION SYSTEM
Aluminum



PART	WIRE SIZE	HOLDS
WSK-3	3/64"	1/8"
WSK-4	3/64"	1/4"

- Installation hardware included**
 - (12) Oval head screw (HD-PS2)
- Assembly hardware included**
 - (2) WS Top Mounts (WS-A1B)
 - (2) WS Bottom Mounts (WS-A1)
 - (1) 20' Long 3/64" Wire (WS-WIRE)

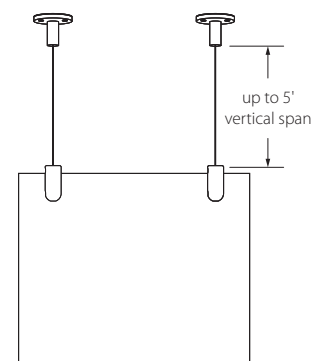
WS WIRE DROP CEILING WIRE SUSPENSION SYSTEM
Aluminum



PART	WIRE SIZE	HOLDS
WSK-5	3/64"	1/8"
WSK-6	3/64"	1/4"

- Installation hardware included**
 - (2) Drop Ceiling Clip (HD-DCLIP)
- Assembly hardware included**
 - (1) 10' long 3/64" Wire (WS-WIRE)

WS WIRE CEILING MOUNTED WIRE SUSPENSION SYSTEM
Aluminum



PART	WIRE SIZE	HOLDS
WSK-7	3/64"	1/8"
WSK-8	3/64"	1/4"

- Installation hardware included**
 - (6) Oval head screw (HD-PS2)
- Assembly hardware included**
 - (2) Top Mounts (WS-A1B)
 - (1) 10' long 3/64" Wire (WS-WIRE)

WS INDIVIDUAL AND REPLACEMENT PARTS

Visit our website for product specifications

GRIPPERS

- WS-ASC-125**
1/8" Gripper
- WS-ASC-250**
1/4" Gripper
- WS-ASC-375**
3/8" Gripper
- WS-ASC-500**
1/2" Gripper

SHELVING & TURNBUCKLE PARTS

- WS-SH**
Shelf Hub
- WS-TB**
Turnbuckle
- WS-ATWCLH**
Left Hand Wire Connector
- WS-ATWCRH**
Right Hand Wire Connector

WIRE CONNECTORS

- WS-AHC**
Hinged Wire Connector
- WS-AHWC1**
Wire Connector
- WS-AHWC2**
Wire Connector
- WS-AHWC3**
Wire Connector
- WS-AVWC**
Wire Connector

PULLEY WHEEL PARTS

- WS-APHF**
Female Pulley Holder
- WS-PHMR**
Male Pulley Holder
- WS-APWCF**
Pulley Wire Connector
- WS-APWCM**
Male Pulley Wire Connector

BASE MOUNTS

- WS-A2.0WMBL**
Wire Connector



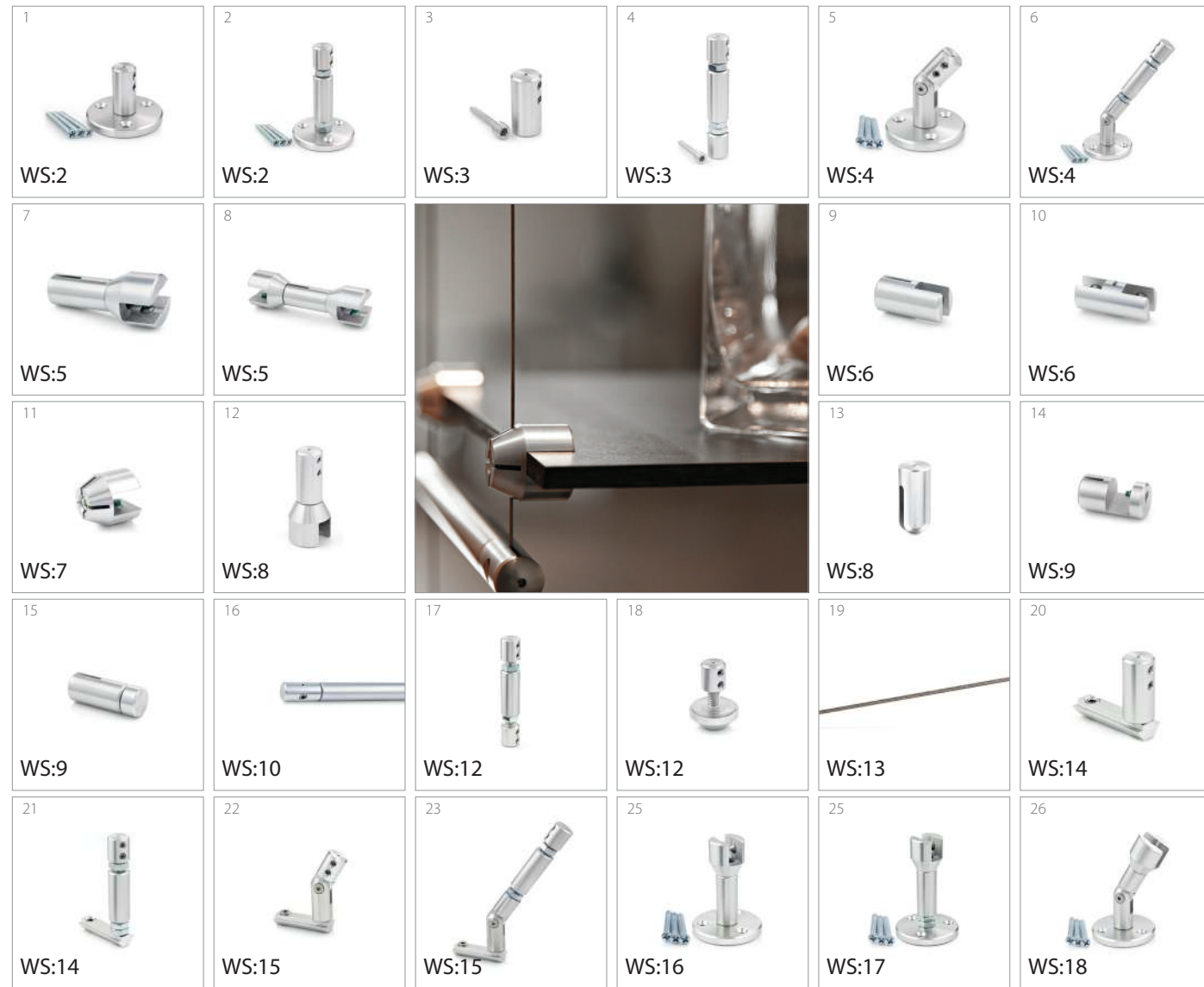
Our Customer Support Team is here to help

Call Us:
775.829.7272
Monday - Friday
7:00 a.m. - 3:30 p.m. (PST)

Email Us:
info@standoffsystems.com

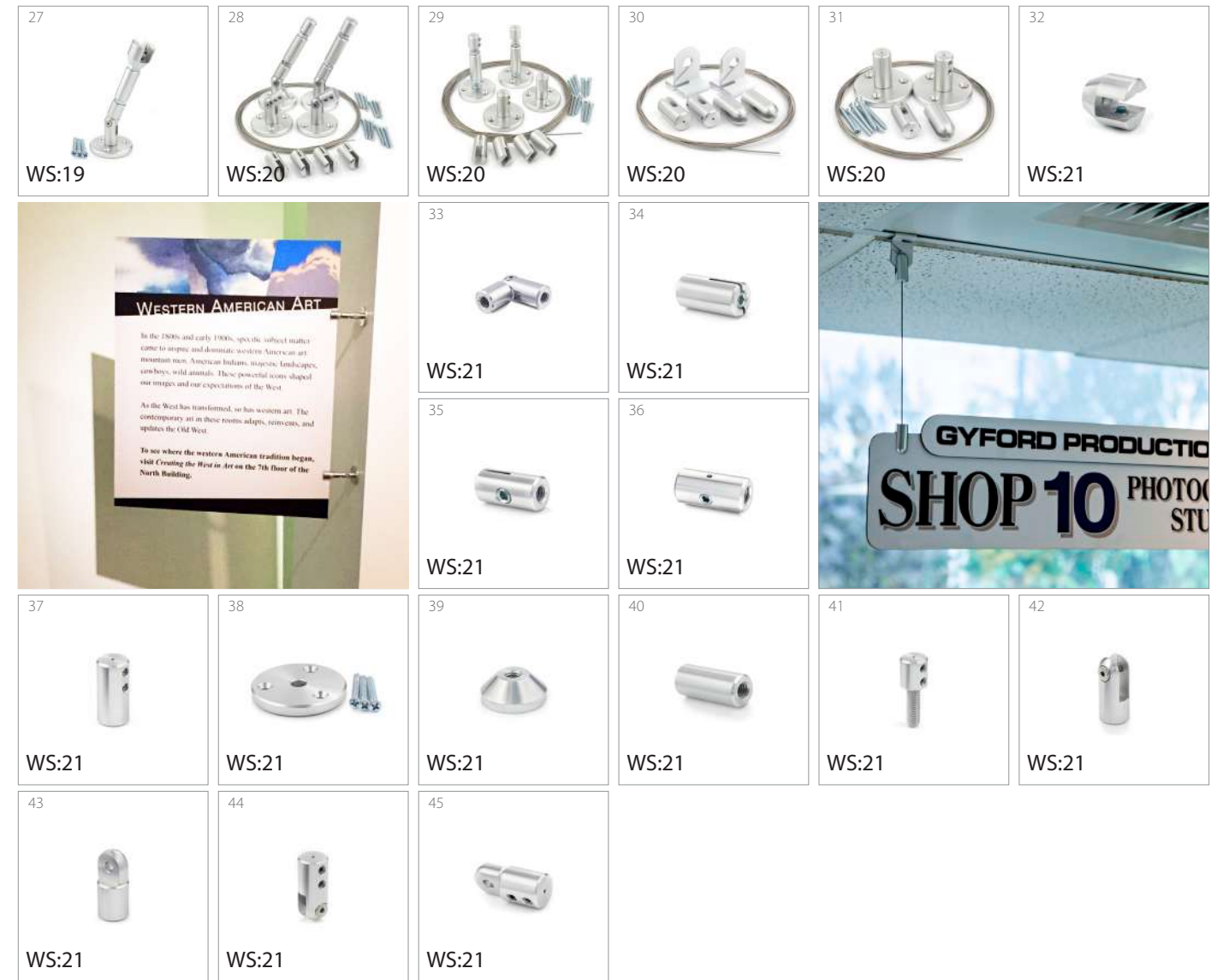
- Full design support
- Installation guidance
- Free quotes
- Send us a sketch or .dwg

WIRE SUSPENSION INDEX



1	WS 3/64" Wire Top Mount with Base Plate WS-A1B	WS:2	14	WS 3/64" Wire Saddle Gripper WS-AESG-250, WS-AESG-375	WS:9
2	WS 3/64" Wire Bottom Mount with Base Plate WS-A1	WS:2	15	WS 3/64" Horizontal Wire Connector with Cap WS-A23	WS:9
3	WS 3/64" Wire Top Mount with Mounting Screw WS-A27B	WS:3	16	WS 3/64" Wire Spreader Bar WS-A18, WS-A19, WS-A20, WS-A28, WS-A29, WS-A30	WS:10
4	WS 3/64" Wire Bottom Mount with Mounting Screw WS-A27	WS:3	17	WS 3/64" Wire Flying Turnbuckle WS-A16	WS:12
5	WS 3/64" Wire Hinged Top Mount with Base Plate WS-A6B	WS:4	18	WS 3/64" Wire Shelf Hub WS-A25	WS:12
6	WS 3/64" Wire Hinged Bottom Mount with Base Plate WS-A6	WS:4	19	WS 3/64" Wire WS-WIRE	WS:13
7	WS 3/64" Wire Single Gripper WS-A3-125, WS-A3-250, WS-A3-375, WS-A3-500	WS:5	20	WS 3/64" Wire Top Extrusion Mount WS-A11B	WS:14
8	WS 3/64" Wire Double Gripper WS-A4-125, WS-A4-250, WS-A4-375, WS-A4-500	WS:5	21	WS 3/64" Wire Bottom Extrusion Turnbuckle WS-A11	WS:14
9	WS 3/64" Wire Econo Vertical Gripper WS-AEVG-125, WS-AEVG-250	WS:6	22	WS 3/64" Wire Hinged Top Extrusion Mount WS-A26B	WS:15
10	WS 3/64" Wire Econo Double Vertical Gripper WS-AEVDG-125, WS-AEVDG-250	WS:6	23	WS 3/64" Wire Hinged Bottom Extrusion Mount WS-A26	WS:15
11	WS 3/64" Wire Shelf or Panel Gripper WS-AWSC-250, WS-AWSC-375, WS-AWSC-500	WS:7	24	WS Extended Panel Gripper with Base Plate WS-A2B-125, WS-A2B-250, WS-A2B-375, WS-A2B-500	WS:16
12	WS 3/64" Wire Vertical Gripper WS-A17-125, WS-A17-250, WS-A17-375, WS-A17-500	WS:8	25	WS Adjustable Panel Gripper with Base Plate WS-A2-125, WS-A2-250, WS-A2-375, WS-A2-500	WS:17
13	WS 3/64" Wire Vertical Thru-bolt Gripper WS-AEPG-125R, WS-AEPG-250R	WS:8	26	WS Hinged Extended Panel Gripper with Base Plate WS-A7B-125, WS-A7B-250, WS-A7B-375, WS-A7B-500	WS:18

WIRE SUSPENSION INDEX



27	WS Adjustable Hinged Panel Gripper with Base Plate WS-A7-125, WS-A7-250, WS-A7-375, WS-A7-500	WS:19	38	WS Base Plate with Counterbore Thru-hole WS-A2.0WMBL	WS:21
28	WS Wire Wall Mounted Wire Suspension System WSK-1, WSK-2	WS:20	39	WS Shelf Hub WS-SH	WS:21
29	WS Wire Floor to Ceiling Wire Suspension System WSK-3, WSK-4	WS:20	40	WS Turnbuckle Body WS-TB	WS:21
30	WS Wire Drop Ceiling Wire Suspension System WSK-5, WSK-6	WS:20	41	WS 3/64" Wire Threaded Connector WS-ATWCLH (left-hand), WS-ATWGRH (right-hand)	WS:21
31	WS Wire Ceiling Mounted Wire Suspension System WSK-7, WSK-8	WS:20	42	WS Hinge Female Component WS-APHF	WS:21
32	WS Shelf or Panel Gripper WS-ASC-125, WS-ASC-250, WS-ASC-375, WS-ASC-500	WS:21	43	WS Hinge Male Component WS-PHMR	WS:21
33	WS Hinged Wire Connector WS-AHC	WS:21	44	WS 3/64" Wire Hinge Female Component WS-APWCF	WS:21
34	WS 3/64" Wire Connector Type 1 (Slotted) WS-AHWC1	WS:21	45	WS 3/64" Wire Hinge Male Component WS-APWCM	WS:21
35	WS 3/64" Wire Connector Type 2 (Slotted) WS-AHWC2	WS:21			
36	WS 3/64" Wire Connector Type 3 (Finished End) WS-AHWC3	WS:21			
37	WS 3/64" Wire Vertical Wire Connector WS-AVWC	WS:21			

EZ-Rod & Wire

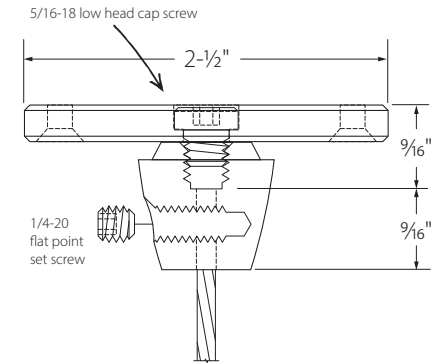
EZ 1/8" Wire Surface Mounts	EZ:2
EZ 1/8" Wire	EZ:9
EZ 1/8" Wire Panel Grippers	EZ:10
EZ 1/8" Wire Shelving Components	EZ:17
EZ Surface Mounted Grippers	EZ:21
EZ Rod Surface Mounts (1/4", 3/8" & 5/8" Rod)	EZ:22
EZ Rod Panel Grippers (1/4", 3/8" & 5/8" Rod)	EZ:28
EZ Wire Suspension Kits	EZ:36
EZ Rod & Wire Individual & Replacement Parts	EZ:37
EZ Rod & Wire Index	EZ:40



This EZ-Rod & Wire line can be used for suspending applications up to 200 lbs. It is designed for a variety of rod and wire diameters. This line allows for flexibility in combining 1/4", 3/8" a 5/8" rod and 1/8" wire from flat or angled surfaces.

EZ 1/8" WIRE TOP MOUNT WITH BASE PLATE

Aluminum

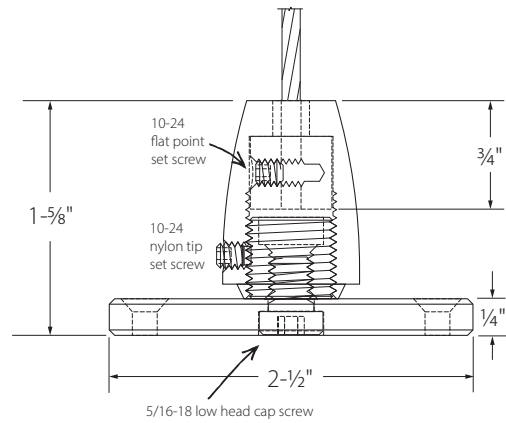


EZ-A27 (Top mount)

- Installation hardware included**
 - (3) Oval head screw (HD-PS2)
- Assembly hardware included**
 - (1) Flat point socket set screw (HD-FPT4)
 - (1) Low head socket cap screw (HD-LHD65)

EZ 1/8" WIRE BOTTOM TURNBUCKLE WITH BASE PLATE

Aluminum

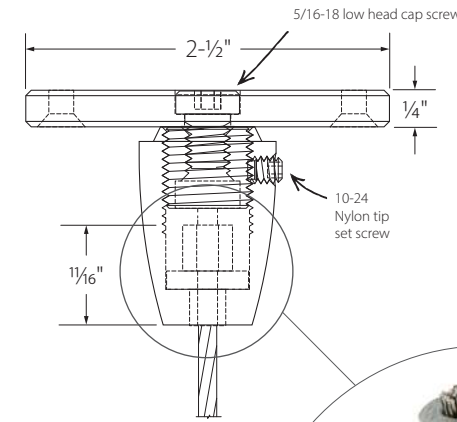


EZ-A28 (Bottom mount)

- Installation hardware included**
 - (3) Oval head screw (HD-PS2)
- Assembly hardware included**
 - (1) Flat point socket set screw (HD-FPT2)
 - (1) Nylon tip socket set screw (HD-NT1)
 - (1) Low head socket cap screw (HD-LHD7)

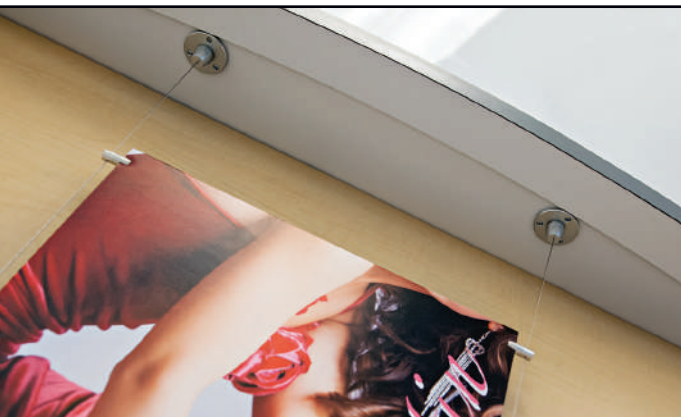
EZ 1/8" WIRE HEAVY TOP MOUNT TURNBUCKLE WITH BASE PLATE

Aluminum

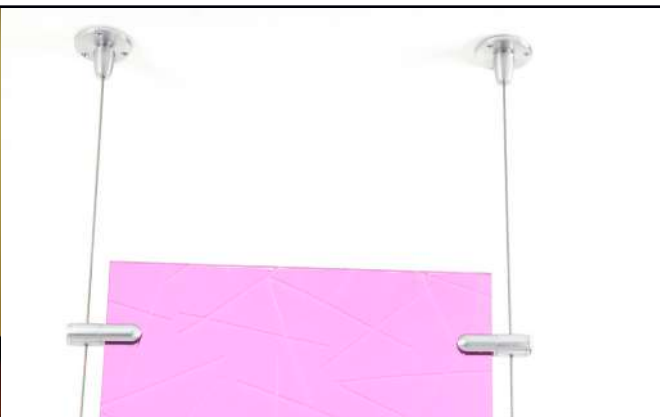


PART	CONNECTION	LENGTH	WIRE SIZE
EZ-AH28PO	top mount	1-1/8"	1/8"

- Installation hardware included**
 - (3) Oval head screw (HD-PS2)
- Assembly hardware included**
 - (1) Nylon tip socket set screw (HD-NT1)
 - (1) EZ 2.5" base mount (EZ-A2.5WMBL)
 - (1) Low head socket cap screw (HD-LHD7)
 - (1) EZ 1/8" Wire Stopper (EZ-HW-125)
 - (1) Stop crimp sleeve (HD-SL-125)



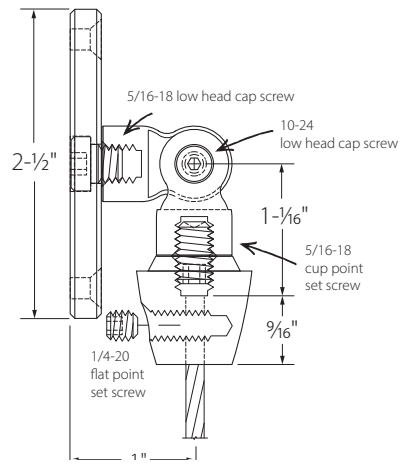
AT Graphics, Inc.



The Baldus Company

EZ 1/8" WIRE HINGED TOP MOUNT WITH BASE PLATE
Aluminum

PART	CONNECTION	€ HINGE TO END	WIRE SIZE
EZ-A19	top mount	1-5/8"	1/8"

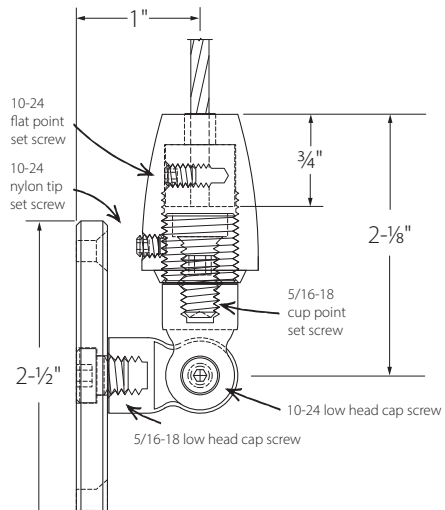


- Installation hardware included**
 - (3) Oval head screw (HD-PS2)
- Assembly hardware included**
 - (1) Flat point socket set screw (HD-FPT4)
 - (1) Low head socket cap screw (HD-LHD65)
 - (1) Low head socket cap screw (HD-LHD2)
 - (1) Cup point socket set screw (HD-S16)



EZ 1/8" WIRE HINGED BOTTOM MOUNT WITH BASE PLATE
Aluminum

PART	CONNECTION	€ HINGE TO END	WIRE SIZE
EZ-A20	bottom mount	2-1/8"	1/8"

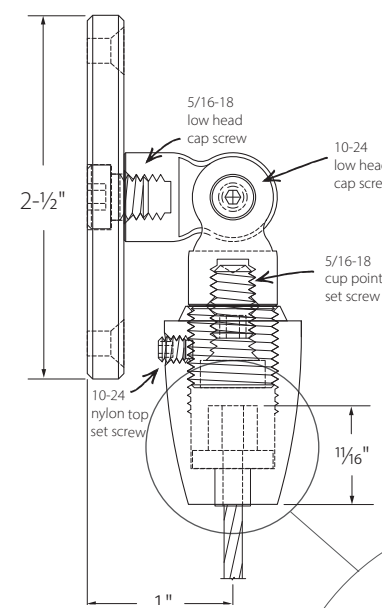


- Installation hardware included**
 - (3) Oval head screw (HD-PS2)
- Assembly hardware included**
 - (1) Flat point socket set screw (HD-FPT2)
 - (1) Nylon tip socket set screw (HD-NT1)
 - (1) Low head socket cap screw (HD-LHD65)
 - (1) Low head socket cap screw (HD-LHD2)
 - (1) Cup point socket set screw (HD-S16)



EZ 1/8" WIRE HEAVY HINGED TURNBUCKLE WITH BASE PLATE
Aluminum

PART	CONNECTION	€ HINGE TO END	WIRE SIZE
EZ-AH20PO	top mount	2-1/8"	1/8"



Note
• Heavy duty mounting option. Use the EZ-AH20PO for a heavy-duty top mount. This is sold unassembled for use with a wire stop crimp sleeve or pre-swaged wire installation (EZ-AWIRE10, or EZ-AWIRE15).

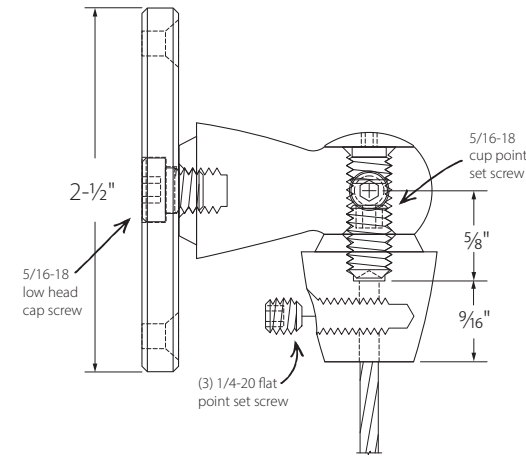


- Installation hardware included**
 - (3) Oval head screw (HD-PS2)
- Assembly hardware included**
 - (1) Low head socket cap screw (HD-LHD65)
 - (1) Low head socket cap screw (HD-LHD2)
 - (1) Nylon tip socket set screw (HD-NT1)
 - (1) Cup point socket set screw (HD-S16)
 - (1) Stop crimp sleeve (HD-SL-125)



EZ 1/8" WIRE 90° TOP WALL MOUNT WITH BASE PLATE

Aluminum



PART	CONNECTION	€ CONNECTOR TO END	WIRE SIZE
EZ-A33-W125	top mount	1-3/16"	1/8"

- Installation hardware included
 - (3) Oval head screw (HD-PS2)
- Assembly hardware included
 - (3) Flat point socket set screw (HD-FPT4)
 - (1) Low head socket cap screw (HD-LHD65)
 - (1) Cup point socket set screw (HD-S16)

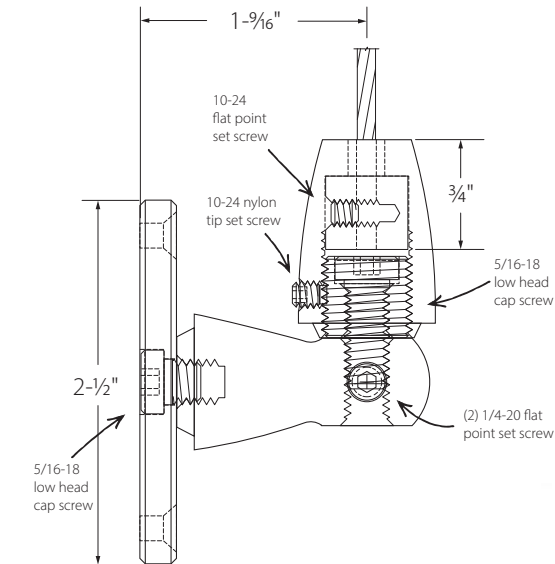


EZ-A33-W125 (Top mount)



EZ 1/8" WIRE 90° BOTTOM WALL MOUNT WITH BASE PLATE

Aluminum



PART	CONNECTION	€ CONNECTOR TO END	WIRE SIZE
EZ-A34-W125	bottom mount	1-11/16"	1/8"

- Installation hardware included
 - (3) Oval head screw (HD-PS2)
- Assembly hardware included
 - (2) Flat point socket set screw (HD-FPT4)
 - (1) Flat point socket set screw (HD-FPT2)
 - (1) Nylon tip socket set screw (HD-NT1)
 - (1) Low head socket cap screw (HD-LHD65)
 - (1) Low head socket cap screw (HD-LHD9)

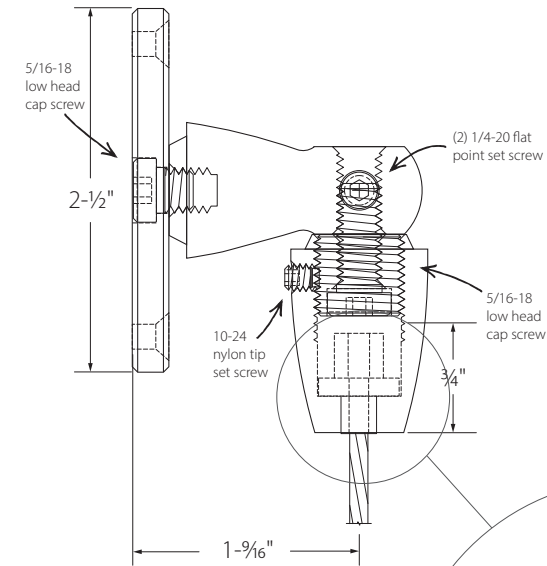


EZ-A34-W125 (Bottom mount)



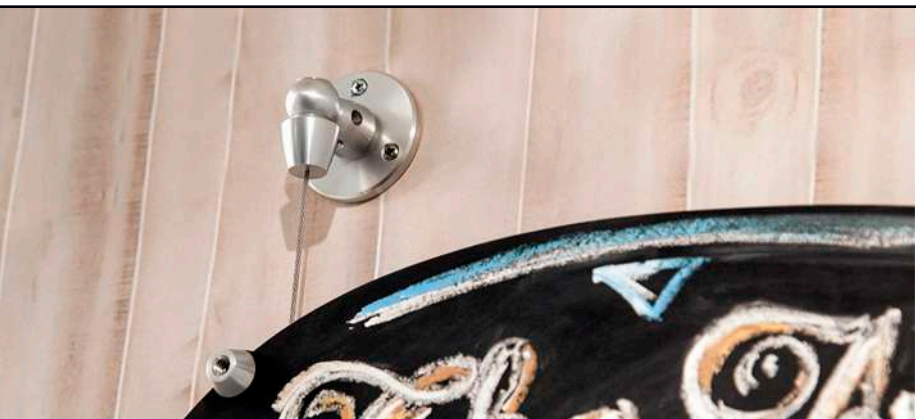
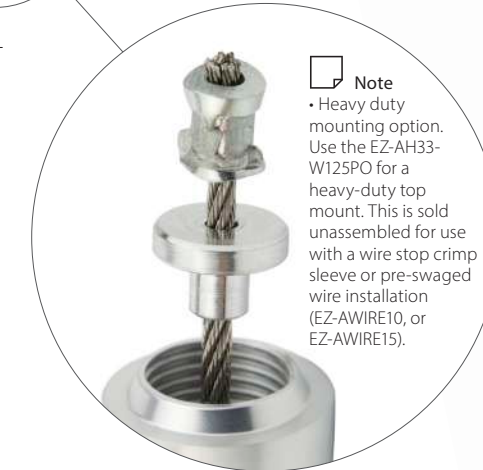
EZ 1/8" WIRE 90° HEAVY WALL MOUNT WITH BASE PLATE

Aluminum



PART	CONNECTION	€ CONNECTOR TO END	WIRE SIZE
EZ-AH33-W125PO	top mount	2"	1/8"

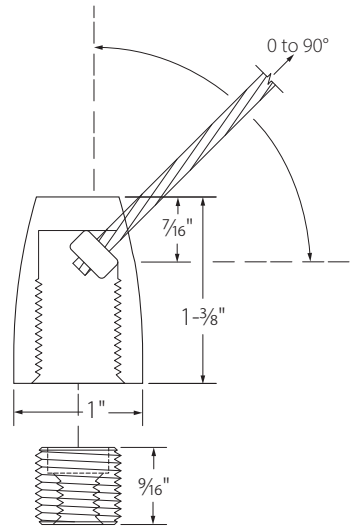
- Installation hardware included
 - (3) Oval head screw (HD-PS2)
- Assembly hardware included
 - (1) Stop crimp sleeve (HD-SL-125)
 - (1) Cup point socket set screw (HD-S18)
 - (1) Nylon tip socket set screw (HD-NT1)
 - (1) Low head socket cap screw (HD-LHD65)



EZ 1/8" WIRE HEAVY ANGLED SURFACE TOP MOUNT
Aluminum

PART	USE WITH	LENGTH	WIRE SIZE
EZ-APCA	swaged wire pack	1-3/8"	1/8"

Tip
• Installation hardware sold separately. See hardware section for available options

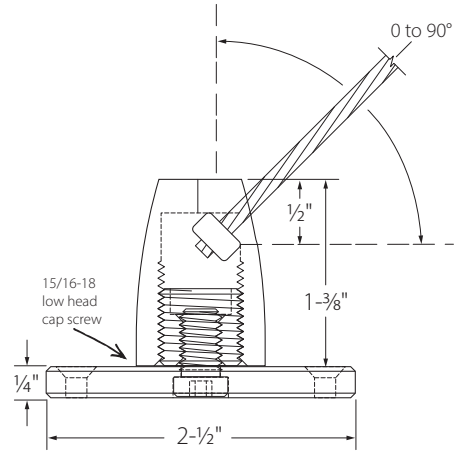


EZ-APCA
(Top mount)

EZ 1/8" WIRE HEAVY ANGLED SURFACE TOP MOUNT WITH BASE PLATE
Aluminum

PART	USE WITH	LENGTH	WIRE SIZE
EZ-A53	swaged wire pack	1-5/8"	1/8"

Installation hardware included
• (3) Oval head screw (HD-PS2)
Assembly hardware included
• (1) Low head socket cap screw (HD-LHD8)



EZ-A53
(Bottom mount)

EZ 1/8" WIRE BY THE FOOT
Stainless Steel

PART	WIRE SIZE	LENGTH
EZ-WIRE-125	1/8"	sold by the foot

Note
• Cut to desired length at time of installation
Tip
• Use a wire bypass cutter to cut wire without fraying. See page HD:16



EZ-WIRE-125
(1/8" wire)



EZ 1/8" SWAGED WIRE PACKS
Stainless Steel

PART	WIRE SIZE	LENGTH
EZ-AWIRE10	1/8"	10' 6"
EZ-AWIRE15	1/8"	15' 6"

Tip
• Use a wire bypass cutter to cut wire without fraying. See page HD:16



EZ-AWIRE10
(10' 6" of 1/8" wire with swaged end)

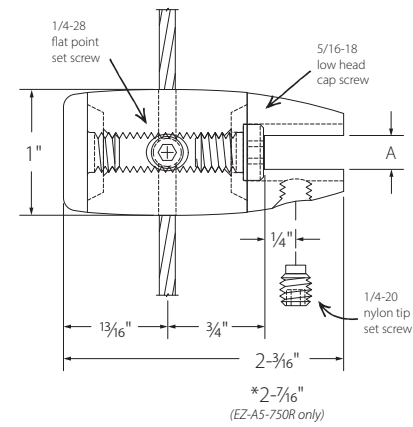


EZ-AWIRE15
(15' 6" of 1/8" wire with swaged end)



EZ 1/8" WIRE SINGLE GRIPPER

Aluminum



EZ-A5-750R

PART	HOLDS	SLOT OPENING (A)	LENGTH	WIRE SIZE
EZ-A5-125R	1/8"	.155"	2-3/16"	1/8"
EZ-A5-250R	1/4"	.265"	2-3/16"	1/8"
EZ-A5-375R	3/8"	.390"	2-3/16"	1/8"
EZ-A5-500R	1/2"	.515"	2-3/16"	1/8"
EZ-A5-750R*	3/4"	.755"	2-3/16"	1/8"

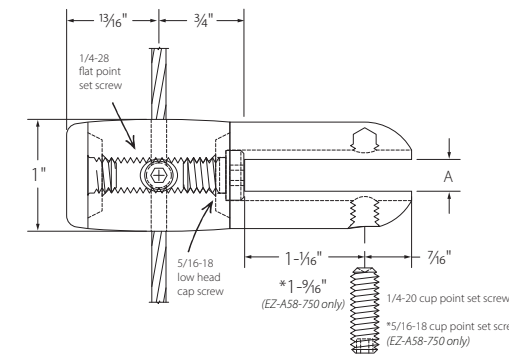
- Assembly hardware included**
- (1) Flat point socket set screw (HD-FPT9)
 - (1) Low head socket cap screw (HD-LHD7)
 - EZ-A5-125R, EZ-A5-250R
 - (1) Nylon tip socket set screw (HD-NT4)
 - EZ-A5-375R, EZ-A5-500R, EZ-A5-750R
 - (1) Nylon tip socket set screw (HD-NT3)

Note

- Grippers rotate and can be fixed at any angle

EZ 1/8" WIRE THRU-HOLE GRIPPER

Aluminum



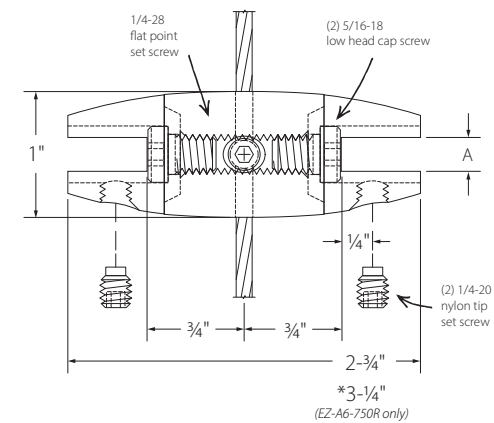
- Assembly hardware included**
- (1) Flat point socket set screw (HD-FPT9)
 - (1) Low head socket cap screw (HD-LHD7)
 - (1) Cup point socket set screw (HD-S105)
 - (1) *EZ-A58-750 - Cup point socket set screw (HD-S14)

Note

- Grippers rotate and can be fixed at any angle
- *EZ-A58-750 gripper has a larger diameter than pictured.

EZ 1/8" WIRE DOUBLE GRIPPER

Aluminum



EZ-A6-750R

PART	HOLDS	SLOT OPENING (A)	LENGTH	WIRE SIZE
EZ-A6-125R	1/8"	.155"	2-3/4"	1/8"
EZ-A6-250R	1/4"	.265"	2-3/4"	1/8"
EZ-A6-375R	3/8"	.390"	2-3/4"	1/8"
EZ-A6-500R	1/2"	.515"	2-3/4"	1/8"
EZ-A6-750R*	3/4"	.755"	2-3/4"	1/8"

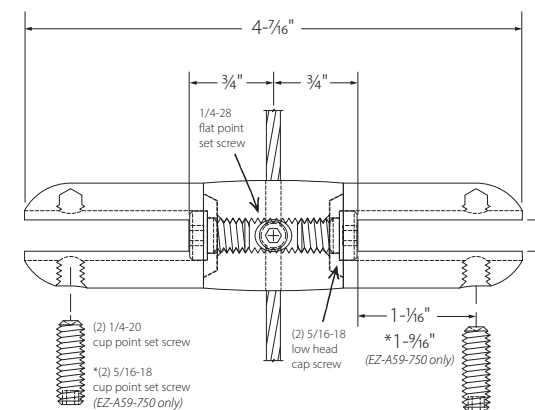
- Assembly hardware included**
- (1) Flat point socket set screw (HD-FPT9)
 - (2) Low head socket cap screw (HD-LHD7)
 - EZ-A6-125R, EZ-A6-250R
 - (2) Nylon tip socket set screw (HD-NT4)
 - EZ-A6-375R, EZ-A6-500R, EZ-A6-750R
 - (2) Nylon tip socket set screw (HD-NT3)

Note

- Grippers rotate and can be fixed at any angle

EZ 1/8" WIRE DOUBLE PANEL THRU-HOLE GRIPPER

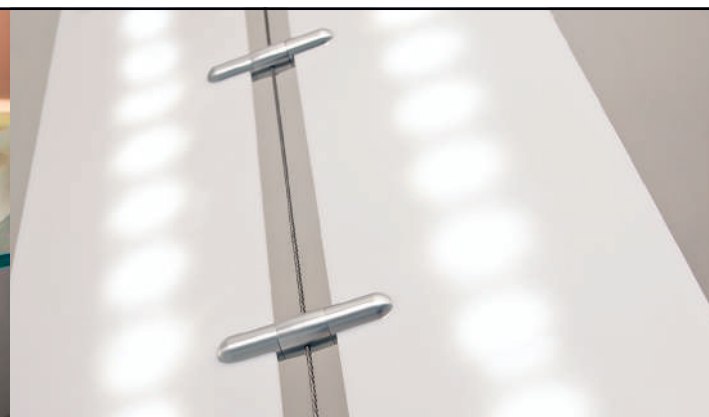
Aluminum



- Assembly hardware included**
- (1) Flat point socket set screw (HD-FPT9)
 - (2) Low head socket cap screw (HD-LHD7)
 - (2) Cup point socket set screw (HD-S105)
 - (2) *EZ-A59-750 - Cup point socket set screw (HD-S14)

Note

- Grippers rotate and can be fixed at any angle
- *EZ-A59-750 gripper has a larger diameter than pictured.



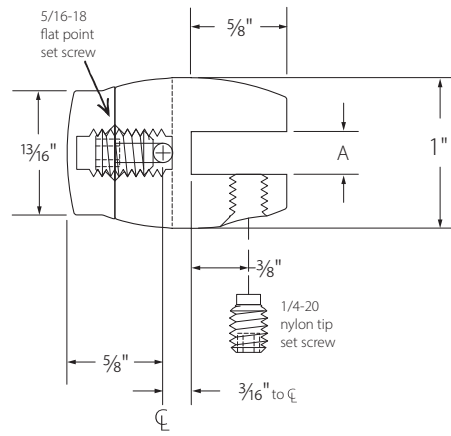
CAT Graphics, Inc.

EZ 1/8" WIRE VERTICAL PANEL GRIPPER

Aluminum

PART	HOLDS	SLOT OPENING (A)	LENGTH	WIRE SIZE
EZ-AVGC-250	1/4"	.280"	3-1/16"	1/8"
EZ-AVGC-375	3/8"	.445"	3-1/16"	1/8"
EZ-AVGC-500	1/2"	.530"	3-1/16"	1/8"

- Assembly hardware included**
- (1) Flat point socket set screw (HD-FPT6)
EZ-AVGC-250
 - (1) Nylon tip socket set screw (HD-NT5)
EZ-AVGC-375
 - (1) Nylon tip socket set screw (HD-NT4)
EZ-AVGC-500
 - (1) Nylon tip socket set screw (HD-NT3)



EZ-AVGC-250
(For 1/4" material)



EZ-AVGC-375
(For 3/8" material)



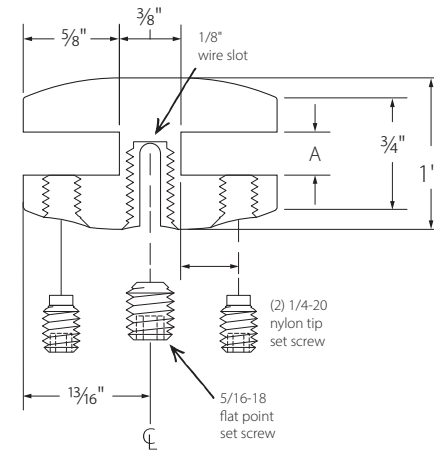
EZ-AVGC-500
(For 1/2" material)

EZ 1/8" WIRE VERTICAL DOUBLE PANEL GRIPPER

Aluminum

PART	HOLDS	SLOT OPENING (A)	LENGTH	WIRE SIZE
EZ-AVDG-250	1/4"	.280"	1-5/8"	1/8"
EZ-AVDG-375	3/8"	.405"	1-5/8"	1/8"

- Assembly hardware included**
- (1) Flat point socket set screw (HD-FPT6)
EZ-AVDG-250
 - (2) Nylon tip socket set screw (HD-NT5)
EZ-AVDG-375
 - (2) Nylon tip socket set screw (HD-NT4)



EZ-AVDG-250
(For 1/4" material)



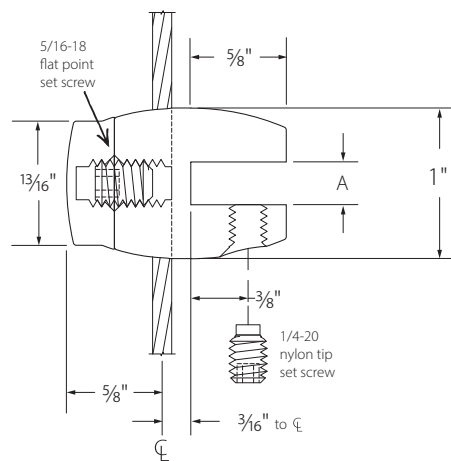
EZ-AVDG-375
(For 3/8" material)

EZ 1/8" WIRE HORIZONTAL SHELF GRIPPER

Aluminum

PART	HOLDS	SLOT OPENING (A)	LENGTH	WIRE SIZE
EZ-AHGC-375	3/8"	.445"	3-1/16"	1/8"
EZ-AHGC-500	1/2"	.530"	3-1/16"	1/8"

- Assembly hardware included**
- (1) Flat point socket set screw (HD-FPT6)
EZ-AHGC-250
 - (1) Nylon tip socket set screw (HD-NT5)
EZ-AHGC-375
 - (1) Nylon tip socket set screw (HD-NT4)
EZ-AHGC-500
 - (1) Nylon tip socket set screw (HD-NT3)



EZ-AHGC-375
(For 3/8" material)



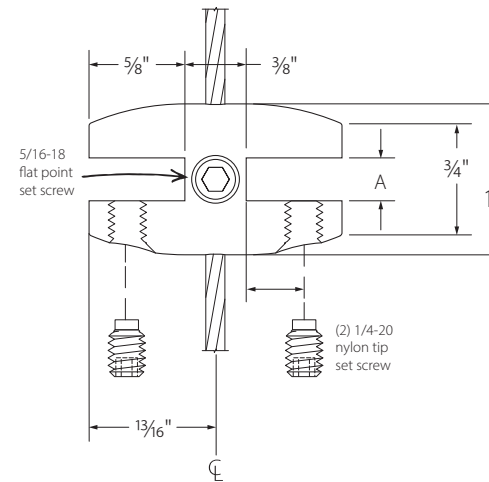
EZ-AHGC-500
(For 1/2" material)

EZ 1/8" WIRE HORIZONTAL DOUBLE SHELF GRIPPER

Aluminum

PART	HOLDS	SLOT OPENING (A)	LENGTH	WIRE SIZE
EZ-AHDG-375	3/8"	.405"	1-5/8"	1/8"
EZ-AHDG-500	1/2"	.530"	1-5/8"	1/8"

- Assembly hardware included**
- (1) Flat point socket set screw (HD-FPT6)
EZ-AHDG-250
 - (2) Nylon tip socket set screw (HD-NT4)
EZ-AHDG-375
 - (2) Nylon tip socket set screw (HD-NT3)



EZ-AHDG-375
(For 3/8" material)



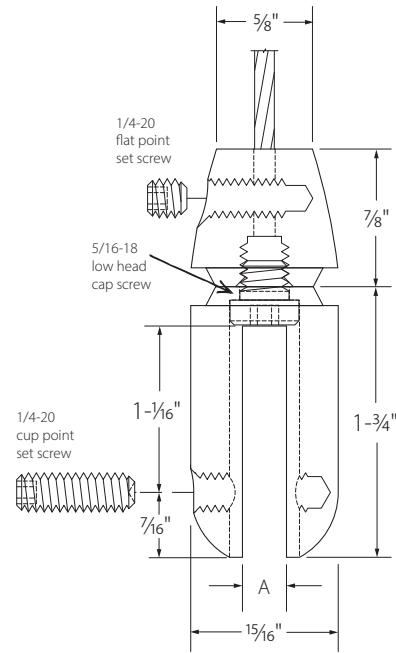
EZ-AHDG-500
(For 1/2" material)



EZ 1/8" WIRE VERTICAL PANEL GRIPPER
Aluminum

PART	HOLDS	SLOT OPENING (A)	LENGTH	WIRE SIZE
EZ-A43-250	1/4"	.280"	2-5/8"	1/8"
EZ-A43-375	3/8"	.445"	2-5/8"	1/8"
EZ-A43-500	1/2"	.530"	2-5/8"	1/8"

- Assembly hardware included**
- (1) Flat point socket set screw (HD-FPT4)
 - (1) Low head socket cap screw (HD-LHD65)
 - (1) Cup point socket set screw (HD-S105)



EZ-A43-250
(For 1/4" material)



EZ-A43-375
(For 3/8" material)

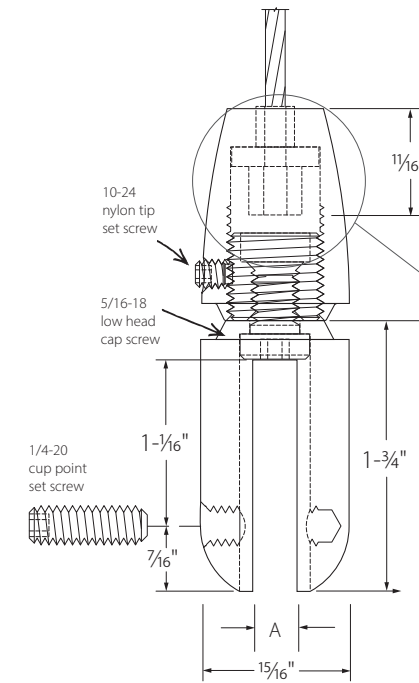


EZ-A43-500
(For 1/2" material)

EZ 1/8" WIRE VERTICAL HEAVY PANEL GRIPPER
Aluminum

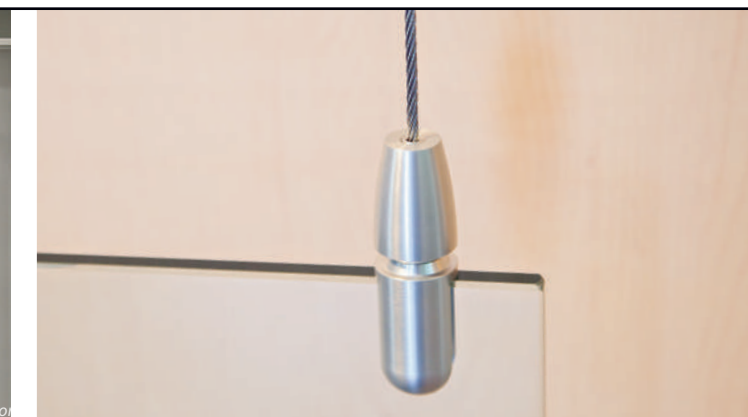
PART	HOLDS	SLOT OPENING (A)	LENGTH	WIRE SIZE
EZ-AH43-250PO	1/4"	.280"	3-1/8"	1/8"
EZ-AH43-375PO	3/8"	.445"	3-1/8"	1/8"
EZ-AH43-500PO	1/2"	.530"	3-1/8"	1/8"
EZ-AH43-750PO	3/4"	.765"	3-1/2"	1/8"

- Assembly hardware included**
- (1) Cup point socket set screw (HD-S105)
 - (1) Nylon tip socket set screw (HD-NT1)
 - (1) Low head socket cap screw (HD-LHD7)
 - (1) Stop crimp sleeve (HD-SL-125)

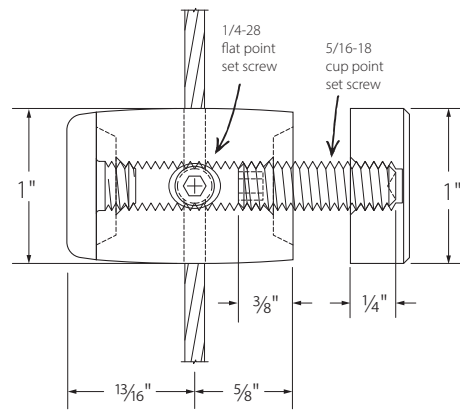


Note

- Heavy duty mounting option. Use the EZ-AH43 for a heavy duty top mount. This is sold unassembled for use with a wire stop crimp sleeve or pre-swaged wire installation.



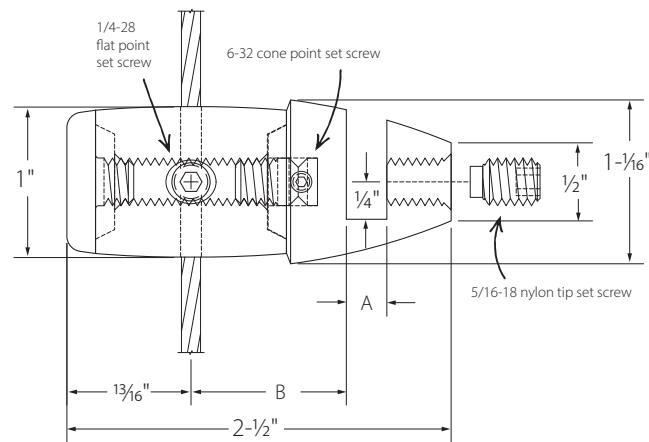
EZ 1/8" WIRE CONNECTOR WITH CAP
Aluminum



PART	DIAMETER	WIRE SIZE
EZ-A50	1"	1/8"

- Assembly hardware included**
- (1) Flat point socket set screw (HD-FPT9)
 - (1) Threaded stud up to 1-1/2" long. Specify stud or material thickness. See page HD:2

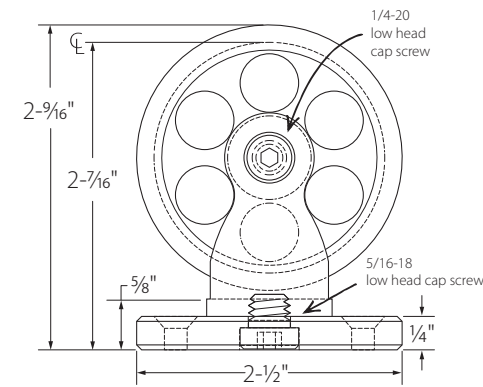
EZ 1/8" WIRE SADDLE GRIPPER
Aluminum



PART	HOLDS	SLOT OPENING (A)	SLOT TO C (B)	WIRE SIZE
EZ-A8-125R	1/8"	.155"	1-1/16"	1/8"
EZ-A8-250R	1/4"	.265"	1"	1/8"
EZ-A8-375R	3/8"	.385"	15/16"	1/8"
EZ-A8-500R	1/2"	.515"	7/8"	1/8"

- Assembly hardware included**
- (1) Flat point socket set screw (HD-FPT9)
 - (1) Cone point socket set screw (HD-CP3)
 - EZ-A8-125R, EZ-A8-250R
 - (1) Nylon tip set screw (HD-NT8)
 - EZ-A8-375R, EZ-A8-500R
 - (1) Nylon tip set screw (HD-NT7)

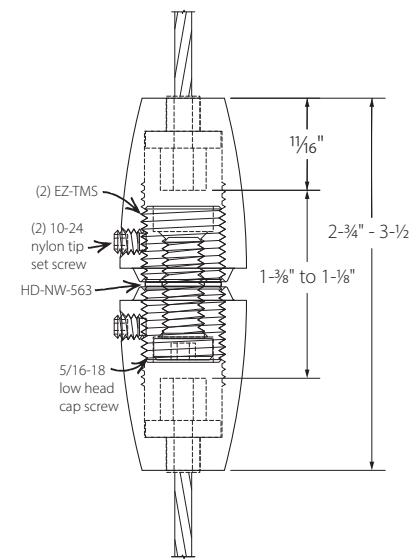
EZ 1/8" WIRE PULLEY WHEEL WITH BASE PLATE
Aluminum



PART	LENGTH	DIAMETER	WIRE SIZE
EZ-APW	2-9/16"	2-1/2"	1/8"

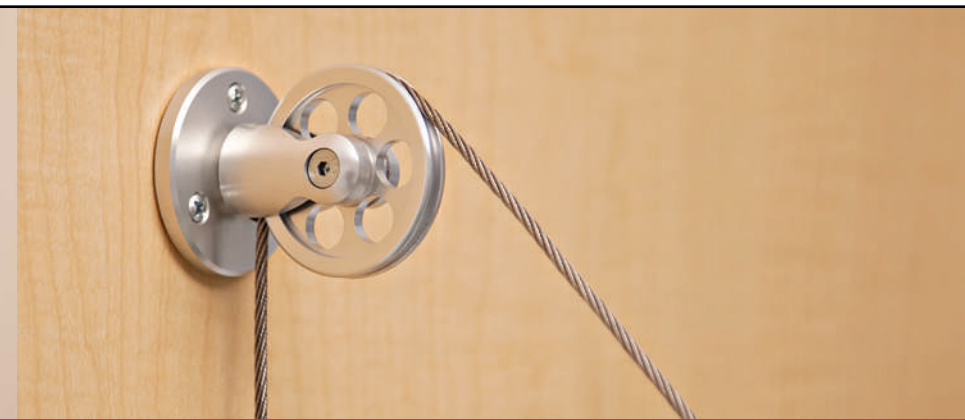
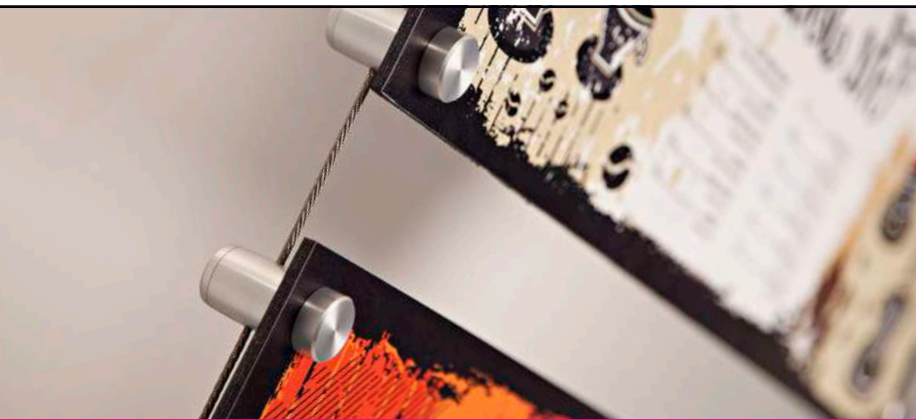
- Installation hardware included**
- (3) Oval head screw (HD-PS2)
- Assembly hardware included**
- (1) Low head socket cap screw (HD-LHD7)
 - (1) Low head socket cap screw (HD-LHD625)
- Note**
- Pulley wheels are decorative and can be used as a top or bottom connection with the tensioning flying turnbuckle (pictured below)

EZ 1/8" WIRE FLYING TURNBUCKLE
Aluminum



PART	LENGTH	WIRE SIZE
EZ-AH45PO	2-3/4" - 3-1/2"	1/8"

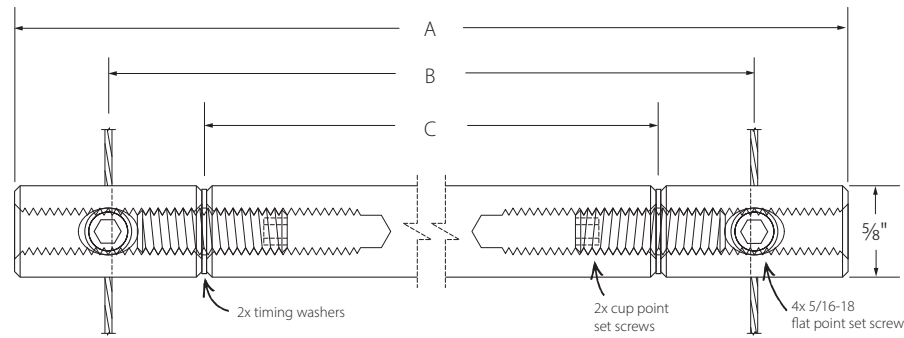
- Assembly hardware included**
- (2) EZ Turnbuckle Assembly (EZ-TB)
 - (2) EZ Standard Turnbuckle Connection (EZ-TMS)
 - (2) EZ 1/8" Wire Stopper (EZ-HW-125)
 - (2) Stop crimp sleeve (HD-SL-125)
 - (2) Nylon tip set screw (HD-NT1)
 - (1) Vinyl washer (HD-NW-563)
 - (1) Low head cap screw (HD-LHD9)
- Note**
- Connect two ends of a single wire or connect the ends of two wires
 - This is sold unassembled



EZ 1/8" WIRE SPREADER BAR

Aluminum

PART	LENGTH (A)	DISTANCE BTW. WIRES (B)	BAR LENGTH (C)	DIA.
EZ-A46	8-5/16"	7-1/8"	5-3/4"	5/8"
EZ-A47	12-5/16"	11-1/8"	9-3/4"	5/8"
EZ-A48	14-5/16"	13-1/8"	11-3/4"	5/8"



- Assembly hardware included**
- (2) Flat point socket set screw (HD-FPT5)
 - (2) Cup point socket set screw (HD-S20)
 - (2) Silicone timing washer (HD-563RW)

Tip

- Add a finishing cap (SO-CAP26) to create a finished end. See page SO:5

EZ-A46



EZ-A47



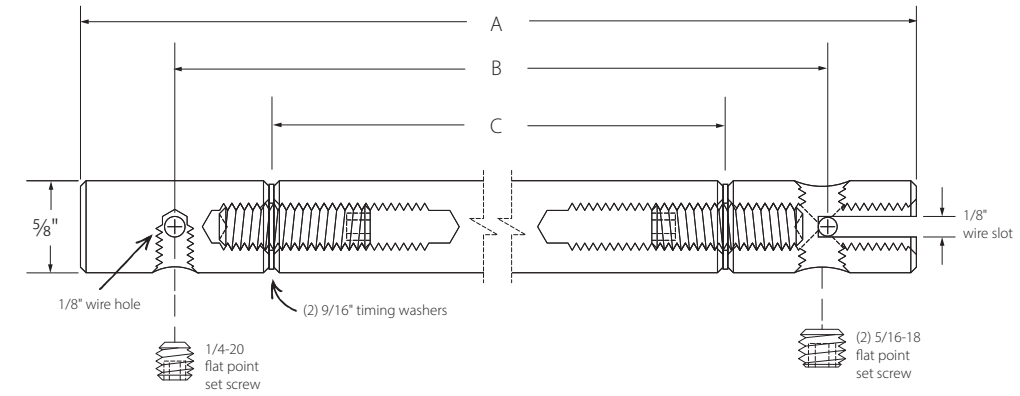
EZ-A48



EZ 1/8" WIRE SPREADER BAR WITH FINISHED END

Aluminum

PART	LENGTH (A)	DISTANCE BTW. WIRES (B)	BAR LENGTH (C)	DIA.
EZ-A63	8-1/4"	7-1/16"	5-3/4"	5/8"
EZ-A64	12-1/4"	11-1/16"	9-3/4"	5/8"
EZ-A65	14-1/4"	13-1/16"	11-3/4"	5/8"



- Assembly hardware included**
- (1) Flat point socket set screw (HD-FPT5)
 - (1) Flat point socket set screw (HD-FPT4)
 - (2) Cup point socket set screw (HD-S20)
 - (2) Silicone timing washer (HD-563RW)

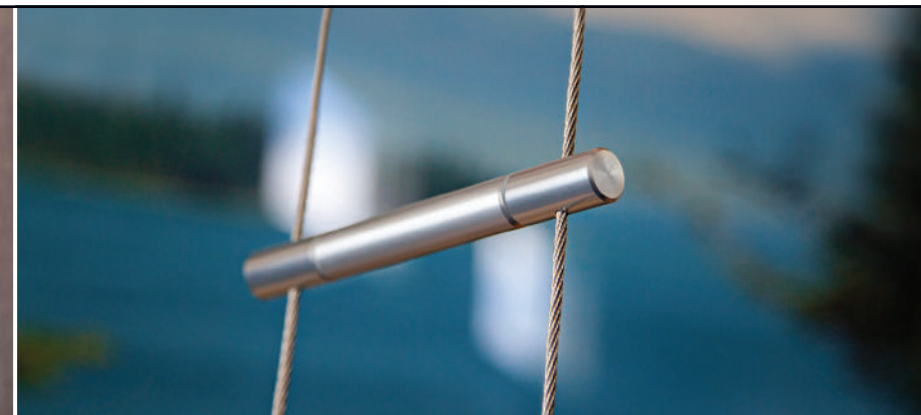
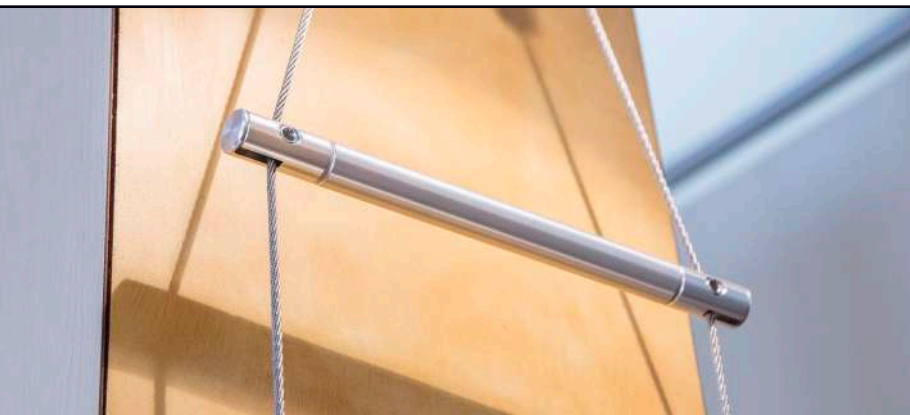
EZ-A63



EZ-A64

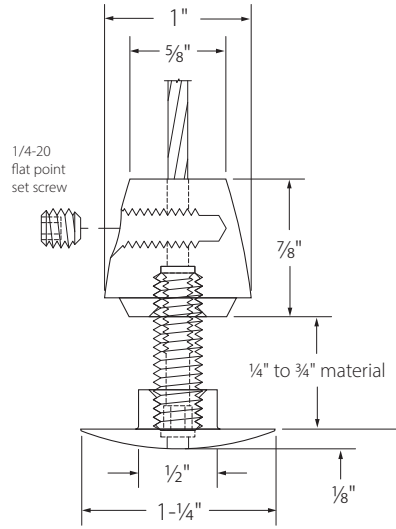


EZ-A65



EZ 1/8" WIRE SHELF HUB

Aluminum



PART	USE FOR	WIRE SIZE
EZ-A40	multiple shelves	1/8"

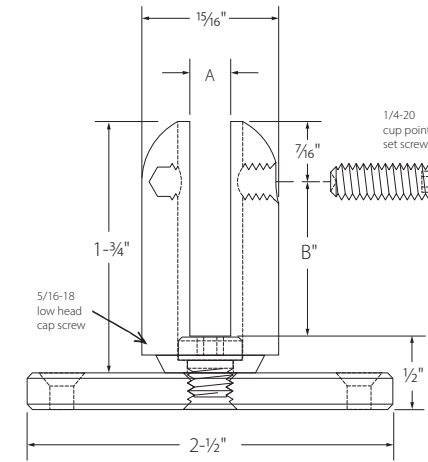
- Assembly hardware included**
- (1) Flat point socket set screw (HD-FPT4)
 - (1) Threaded stud up to 1" long. **Specify stud or material thickness.** See page HD:2

- Tip**
- Minimum 1/4" material thickness
 - Maximum 3/4" material thickness



EZ PANEL GRIPPER WITH BASE PLATE

Aluminum



PART	HOLDS	SLOT WIDTH (A)	HEIGHT	B
EZ-A41-250	1/4"	.280"	2"	1-1/16"
EZ-A41-375	3/8"	.445"	2"	1-1/16"
EZ-A41-500	1/2"	.530"	2"	1-1/16"
EZ-A41-750	3/4"	.765"	2-1/8"	1-5/16"

- Installation hardware included**
- (3) Oval head screw (HD-PS2)

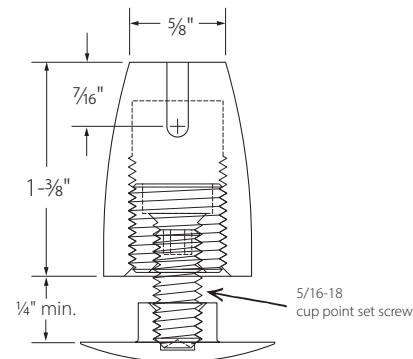
- Assembly hardware included**
- (1) Low head socket cap screw (HD-LHD65)
 - (1) Cup point socket set screw (HD-S105)

- Tip**
- The gripper uses a cup point set screw and will require a 5/16" hole to allow for installation material



EZ 1/8" WIRE ANGLED PANEL CONNECTOR

Aluminum



PART	USE FOR	WIRE SIZE
EZ-A44	single shelf	1/8"

- Assembly hardware included**
- (1) Threaded stud up to 1" long. **Specify stud or material thickness.** See page HD:2

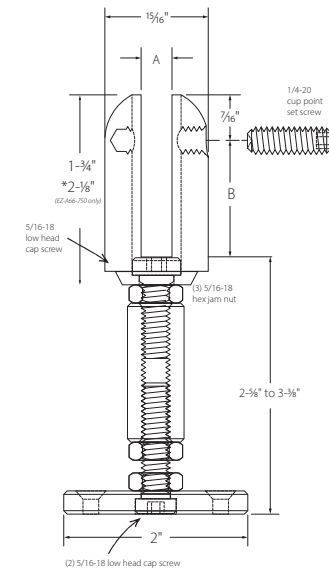
- Note**
- Requires a swaged ball wire fitting or stop-crimp sleeve

- Tip**
- Minimum 1/4" material thickness
 - Maximum 3/4" material thickness



EXTENDED SURFACE MOUNT PANEL GRIPPER

Aluminum

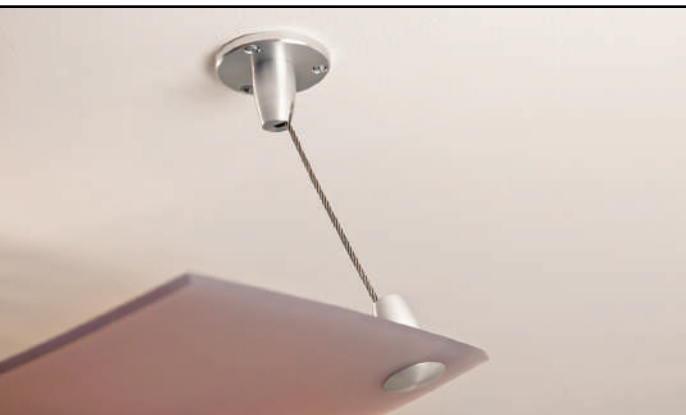


PART	HOLDS	SLOT WIDTH (A)	HEIGHT	B
EZ-A66-250	1/4"	.280"	2-5/8" to 3-3/8"	1-1/16"
EZ-A66-375	3/8"	.445"	2-5/8" to 3-3/8"	1-1/16"
EZ-A66-500	1/2"	.530"	2-5/8" to 3-3/8"	1-1/16"
EZ-A66-750	3/4"	.765"	2-5/8" to 3-3/8"	1-5/16"

- Installation hardware included**
- (3) Oval head screw (HD-PS2)

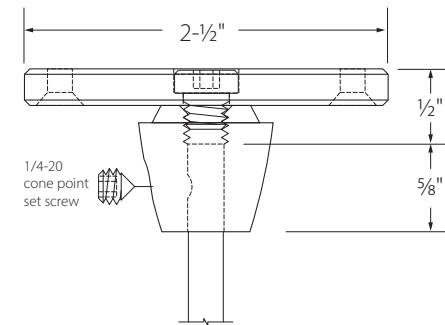
- Assembly hardware included**
- (1) Low head socket cap screw (HD-LHD10S)
 - (1) Low head socket cap screw (HD-LHD11S)
 - (3) Hex jam nut (HD-HJN3)

- Tip**
- The gripper uses a cup point set screw and will require a 5/16" hole to allow for installation material



EZ 1/4" ROD TOP MOUNT WITH BASE PLATE

Aluminum



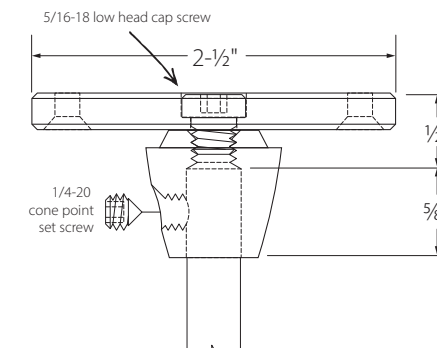
PART	CONNECTION	LENGTH	ROD SIZE
EZ-A29	top mount	1-1/8"	1/4"



- Installation hardware included**
 - (3) Oval head screw (HD-PS2)
- Assembly hardware included**
 - (1) Low head socket cap screw (HD-LHD65)
 - (1) Cone point socket set screw (HD-CP75)

EZ 3/8" ROD TOP MOUNT WITH BASE PLATE

Aluminum



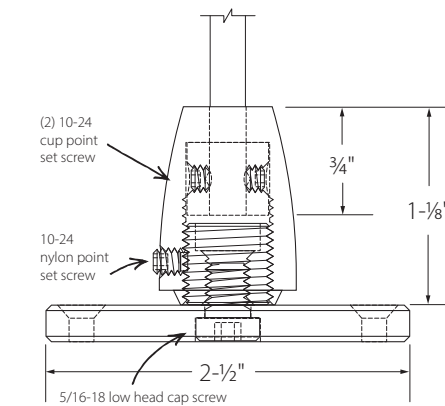
PART	CONNECTION	LENGTH	ROD SIZE
EZ-A31	top mount	1-1/8"	3/8"



- Installation hardware included**
 - (3) Oval head screw (HD-PS2)
- Assembly hardware included**
 - (1) Low head socket cap screw (HD-LHD65)
 - (1) Cone point socket set screw (HD-CP75)

EZ 1/4" ROD BOTTOM TURNBUCKLE MOUNT WITH BASE PLATE

Aluminum



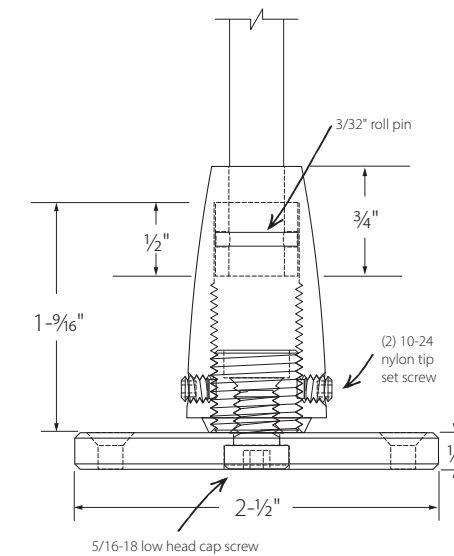
PART	CONNECTION	LENGTH	ROD SIZE
EZ-A30	bottom mount	1-5/8"	1/4"



- Installation hardware included**
 - (3) Oval head screw (HD-PS2)
- Assembly hardware included**
 - (1) Low head socket cap screw (HD-LHD7)
 - (2) Cup point socket set screw (HD-S1)
 - (1) Nylon tip set screw (HD-NT1)
- Note**
 - 1/4" Aluminum rod is flexible and intended to span short distances

EZ 3/8" ROD BOTTOM TURNBUCKLE MOUNT WITH BASE PLATE

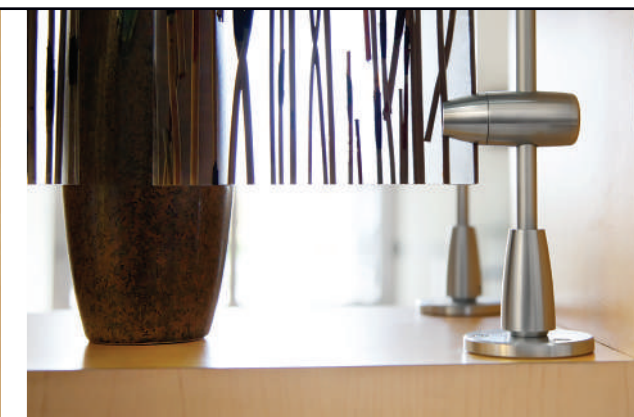
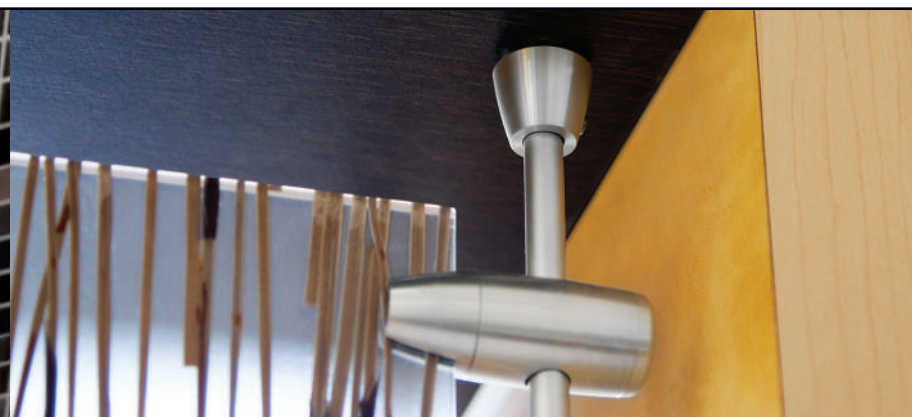
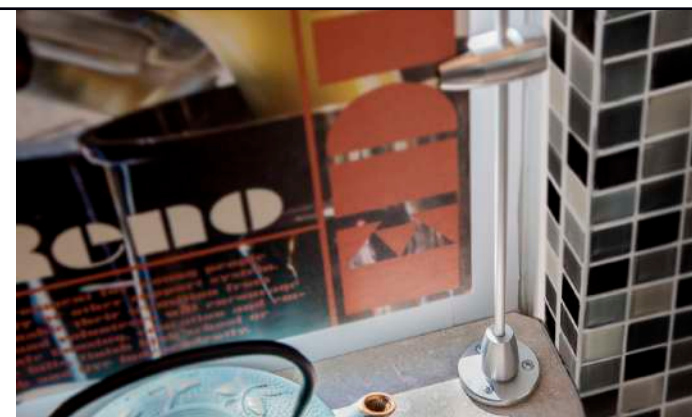
Aluminum



PART	CONNECTION	LENGTH	ROD SIZE
EZ-AH32	bottom mount	2-1/16"	3/8"



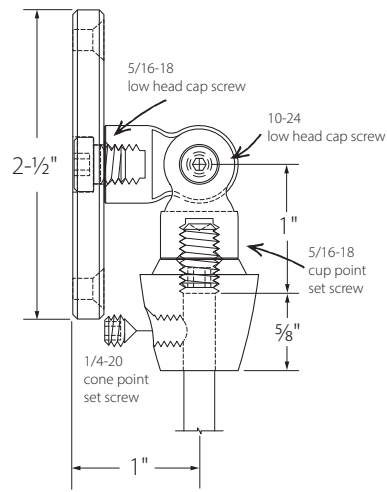
- Installation hardware included**
 - (3) Oval head screw (HD-PS2)
- Assembly hardware included**
 - (1) Low head socket cap screw (HD-LHD7)
 - (1) 3/32" roll pin (HD-332RP)
 - (2) Nylon tip socket set screw (HD-NT1)
- Note**
 - For precise placement of roll pin hole, use rod drilling jig (HD-A375RDJ). See page HD:15



EZ 1/4" ROD HINGED TOP WALL MOUNT WITH BASE PLATE

Aluminum

PART	CONNECTION	€ HINGE TO END	ROD SIZE
EZ-A21	top mount	1-5/8"	1/4"



EZ-A21 (Top mount)

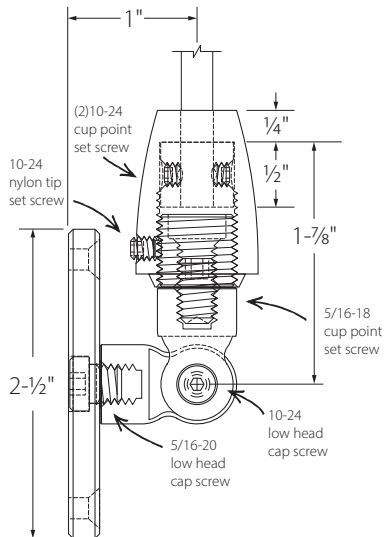
- Installation hardware included**
 - (3) Oval head screw (HD-PS2)
- Assembly hardware included**
 - (1) Low head socket cap screw (HD-LHD65)
 - (1) Low head socket cap screw (HD-LHD2)
 - (1) Cup point socket set screw (HD-S16)
 - (1) Cone point socket set screw (HD-CP75)



EZ 1/4" ROD HINGED BOTTOM WALL MOUNT WITH BASE PLATE

Aluminum

PART	CONNECTION	€ HINGE TO END	ROD SIZE
EZ-A22	bottom mount	2-1/8"	1/4"



EZ-A22 (Bottom mount)

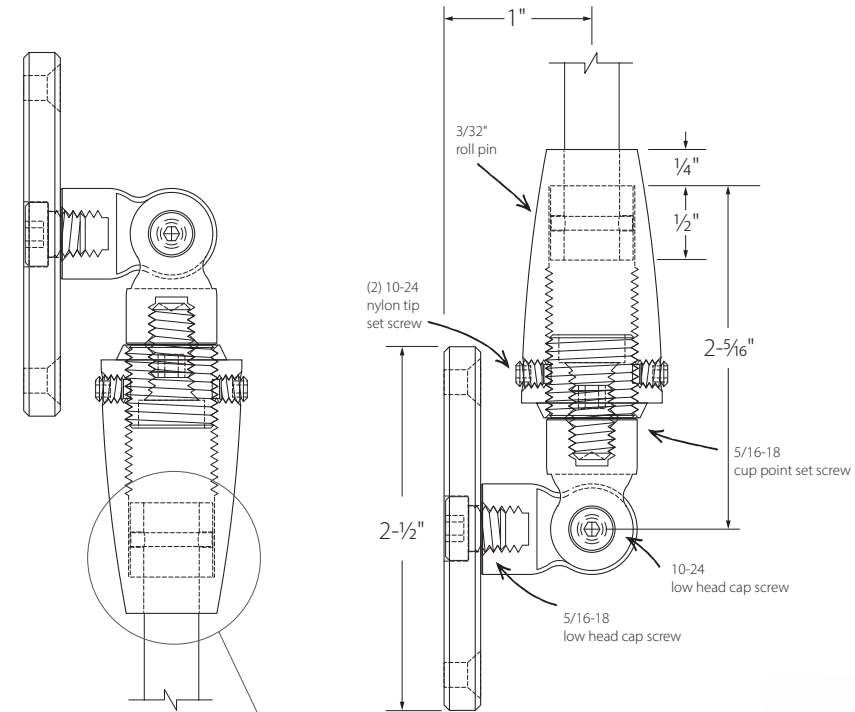
- Installation hardware included**
 - (3) Oval head screw (HD-PS2)
- Assembly hardware included**
 - (1) Low head socket cap screw (HD-LHD65)
 - (1) Low head socket cap screw (HD-LHD2)
 - (1) Cup point socket set screw (HD-S16)
 - (2) Cup point socket set screw (HD-S1)
 - (1) Nylon tip socket set screw (HD-NT1)



EZ 3/8" ROD HEAVY HINGED WALL MOUNT WITH BASE PLATE

Aluminum

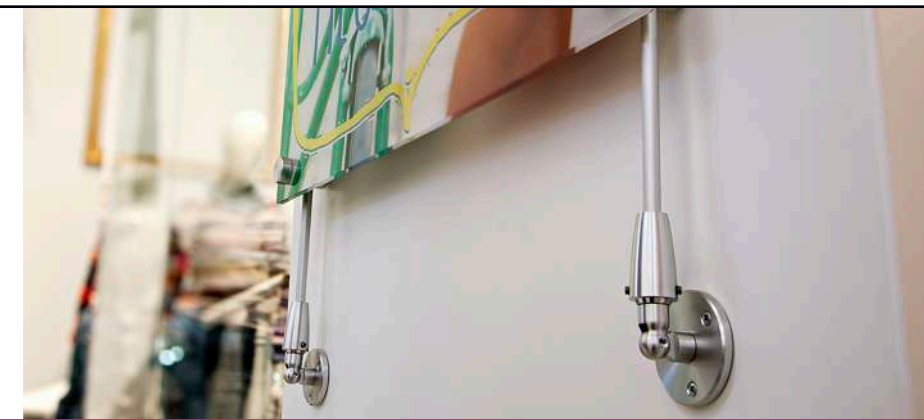
PART	CONNECTION	€ HINGE TO END	ROD SIZE
EZ-AH24	top and bottom mount	2-9/16"	3/8"



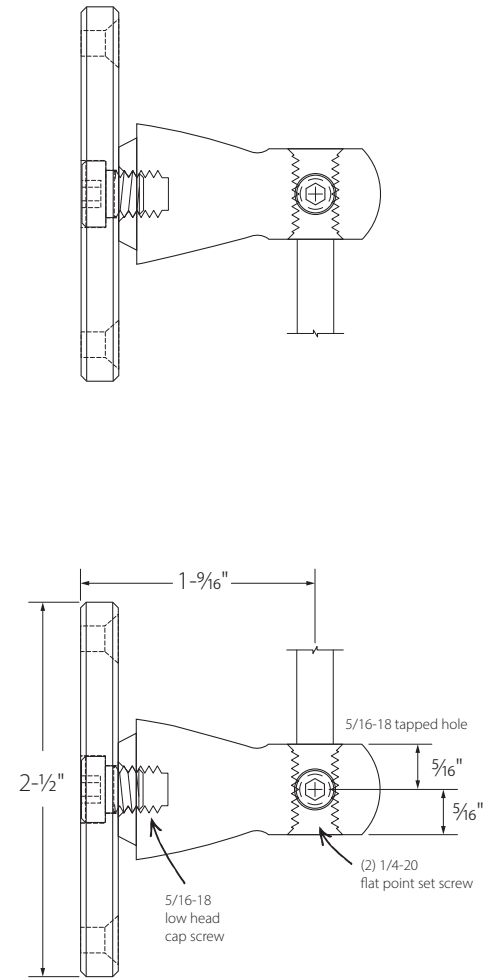
- Note**
 - Heavy duty mounting option. Use the EZ-AH24 for a heavy duty top mount. This is sold unassembled so the rod terminator can be fixed during field installation

- Installation hardware included**
 - (3) Oval head screw (HD-PS2)
- Assembly hardware included**
 - (1) Heavy connection roll pin (HD-332RP)
 - (1) 3/8" rod terminator (EZ-AHRT-375)
 - (1) Low head socket cap screw (HD-LHD65)
 - (1) Low head socket cap screw (HD-LHD2)
 - (1) Cup point socket set screw (HD-S16)
 - (1) Nylon tip socket set screw (HD-NT1)

Note
 For precise placement of roll pin hole, use rod drilling jig (HD-A375RDJ). See page HD:15



EZ 1/4" ROD 90° WALL CONNECTOR WITH BASE PLATE
Aluminum

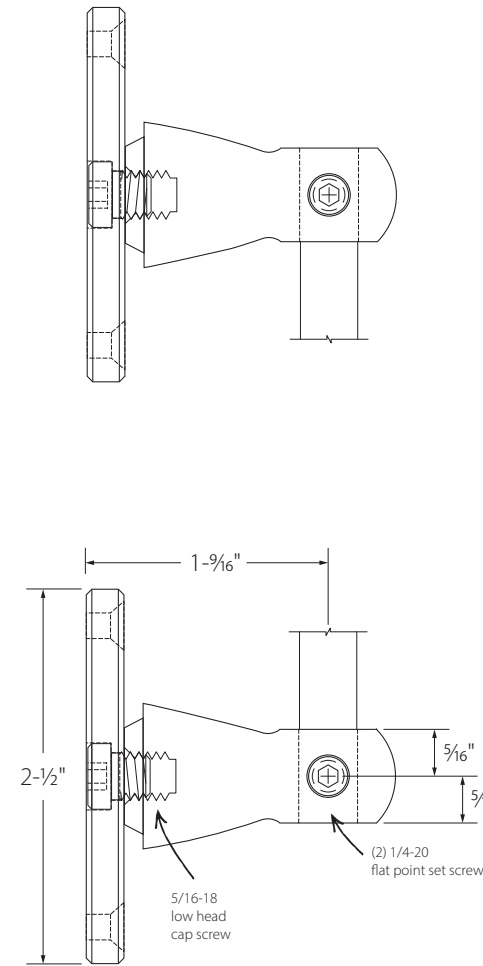


PART	CONNECTION	ROD SIZE
EZ-A36-R250	top and bottom mount	1/4"

- Installation hardware included
 - (3) Oval head screw (HD-PS2)
- Assembly hardware included
 - (1) Low head socket cap screw (HD-LHD65)
 - (2) Flat point socket set screw (HD-FPT4)

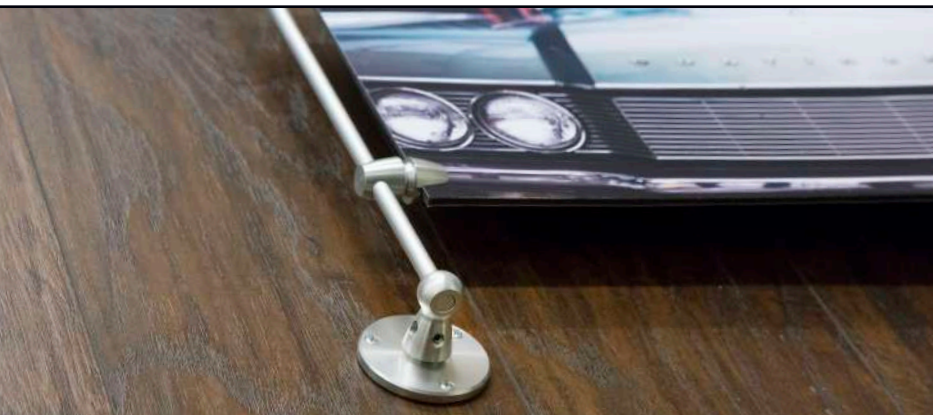


EZ 3/8" ROD 90° WALL CONNECTOR WITH BASE PLATE
Aluminum



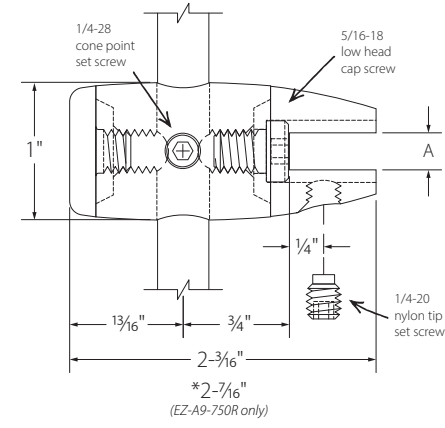
PART	CONNECTION	ROD SIZE
EZ-A36-R375	top and bottom mount	3/8"

- Installation hardware included
 - (3) Oval head screw (HD-PS2)
- Assembly hardware included
 - (1) Low head socket cap screw (HD-LHD65)
 - (2) Flat point socket set screw (HD-FPT4)



EZ 1/4" ROD CONNECTOR WITH SINGLE SHELF OR PANEL GRIPPER

Aluminum



PART	HOLDS	SLOT OPENING (A)	LENGTH	ROD SIZE
EZ-A9-125R	1/8"	.155"	2-3/16"	1/4"
EZ-A9-250R	1/4"	.265"	2-3/16"	1/4"
EZ-A9-375R	3/8"	.390"	2-3/16"	1/4"
EZ-A9-500R	1/2"	.515"	2-3/16"	1/4"
EZ-A9-750R*	3/4"	.755"	2-3/16"	1/4"



EZ-A9-750R

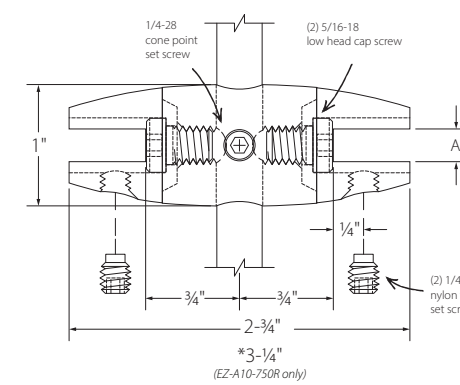
- Assembly hardware included**
- (1) Cone point socket set screw (HD-CP7)
 - (1) Low head socket cap screw (HD-LHD7)
- EZ-A9-125R, EZ-A9-250R**
- (1) Nylon tip socket set screw (HD-NT4)
- EZ-A9-375R, EZ-A9-500R, EZ-A9-750R**
- (1) Nylon tip socket set screw (HD-NT3)

Note

- Grippers rotate and can be fixed at any angle

EZ 1/4" ROD CONNECTOR WITH DOUBLE SHELF OR PANEL GRIPPER

Aluminum



PART	HOLDS	SLOT OPENING (A)	LENGTH	ROD SIZE
EZ-A10-125R	1/8"	.155"	2-3/4"	1/4"
EZ-A10-250R	1/4"	.265"	2-3/4"	1/4"
EZ-A10-375R	3/8"	.390"	2-3/4"	1/4"
EZ-A10-500R	1/2"	.515"	2-3/4"	1/4"
EZ-A10-750R*	3/4"	.755"	2-3/4"	1/4"



EZ-A10-750R

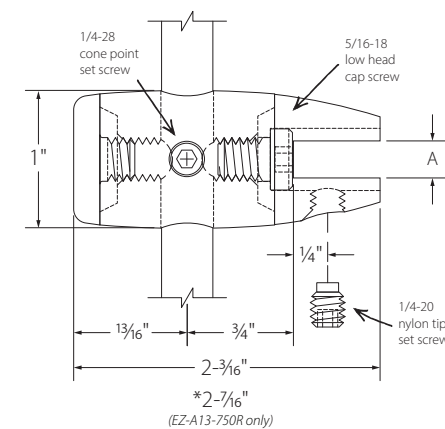
- Assembly hardware included**
- (1) Cup point socket set screw (HD-CP7)
 - (2) Low head socket cap screw (HD-LHD7)
- EZ-A10-125R, EZ-A10-250R**
- (2) Nylon tip socket set screw (HD-NT4)
- EZ-A10-375R, EZ-A10-500R, EZ-A10-750R**
- (2) Nylon tip socket set screw (HD-NT3)

Note

- Grippers rotate and can be fixed at any angle

EZ 3/8" ROD CONNECTOR WITH SINGLE SHELF OR PANEL GRIPPER

Aluminum



PART	HOLDS	SLOT OPENING (A)	LENGTH	ROD SIZE
EZ-A13-125R	1/8"	.155"	2-3/16"	3/8"
EZ-A13-250R	1/4"	.265"	2-3/16"	3/8"
EZ-A13-375R	3/8"	.390"	2-3/16"	3/8"
EZ-A13-500R	1/2"	.515"	2-3/16"	3/8"
EZ-A13-750R*	3/4"	.755"	2-7/16"	3/8"



EZ-A13-750R

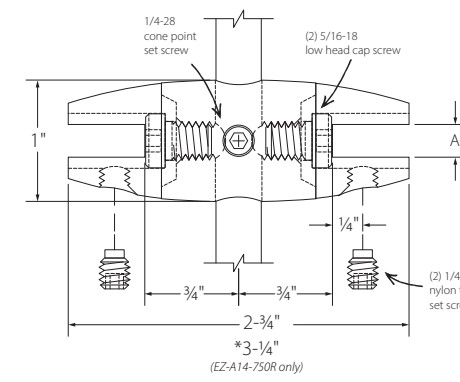
- Assembly hardware included**
- (1) Cone point socket set screw (HD-CP7)
 - (1) Low head socket cap screw (HD-LHD7)
- EZ-A13-125R, EZ-A13-250R**
- (1) Nylon tip socket set screw (HD-NT4)
- EZ-A13-375R, EZ-A13-500R, EZ-A13-750R**
- (1) Nylon tip socket set screw (HD-NT3)

Note

- Grippers rotate and can be fixed at any angle

EZ 3/8" ROD CONNECTOR WITH DOUBLE SHELF OR PANEL GRIPPER

Aluminum



PART	HOLDS	SLOT OPENING (A)	LENGTH	ROD SIZE
EZ-A14-125R	1/8"	.155"	2-3/4"	3/8"
EZ-A14-250R	1/4"	.265"	2-3/4"	3/8"
EZ-A14-375R	3/8"	.390"	2-3/4"	3/8"
EZ-A14-500R	1/2"	.515"	2-3/4"	3/8"
EZ-A14-750R*	3/4"	.755"	3-1/4"	3/8"

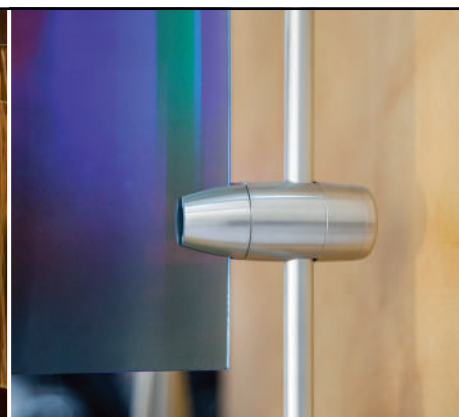


EZ-A14-750R

- Assembly hardware included**
- (1) Cone point socket set screw (HD-CP7)
 - (2) Low head socket cap screw (HD-LHD7)
- EZ-A14-125R, EZ-A14-250R**
- (2) Nylon tip socket set screw (HD-NT4)
- EZ-A14-375R, EZ-A14-500R, EZ-A14-750R**
- (2) Nylon tip socket set screw (HD-NT3)

Note

- Grippers rotate and can be fixed at any angle



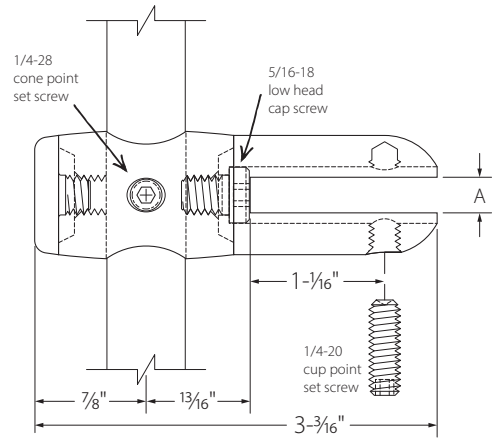
EZ 5/8" ROD CONNECTOR WITH SINGLE THRU-HOLE SHELF OR PANEL GRIPPER
Aluminum

PART	HOLDS	SLOT OPENING (A)	LENGTH	ROD SIZE
EZ-A60-250	1/4"	.280"	3-3/16"	5/8"
EZ-A60-375	3/8"	.445"	3-3/16"	5/8"
EZ-A60-500	1/2"	.530"	3-3/16"	5/8"

- Assembly hardware included**
- (1) Cone point socket set screw (HD-CP7)
 - (1) Low head socket cap screw (HD-LHD7)
 - (1) Cup point socket set screw (HD-S105)

Note

- Grippers rotate and can be fixed at any angle



EZ 5/8" ROD CONNECTOR WITH DOUBLE THRU-HOLE SHELF OR PANEL GRIPPER
Aluminum

PART	HOLDS	SLOT OPENING (A)	LENGTH	ROD SIZE
EZ-A61-250	1/4"	.280"	4-9/16"	5/8"
EZ-A61-375	3/8"	.445"	4-9/16"	5/8"
EZ-A61-500	1/2"	.530"	4-9/16"	5/8"

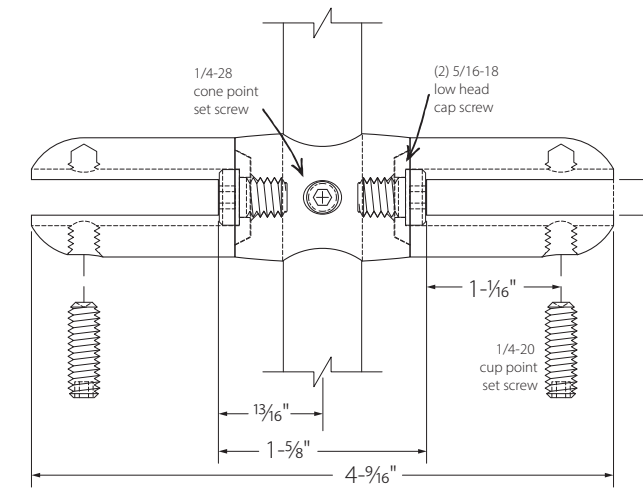
- Assembly hardware included**
- (1) Cone point socket set screw (HD-CP7)
 - (2) Low head socket cap screw (HD-LHD7)
 - (2) Cup point socket set screw (HD-S105)

Note

- Grippers rotate and can be fixed at any angle

Tip

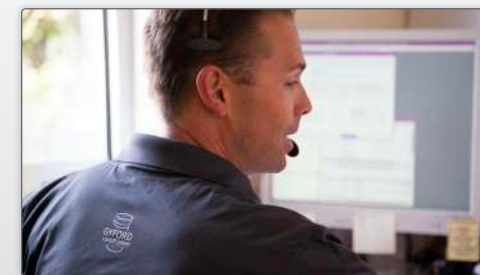
- For shelving, use a nylon tip set screw



EZ ROD
Aluminum

PART	ROD SIZE	INTERNAL DIA.	STANDARD LENGTH
EZ-ROD250	1/4"	—	12'
EZ-ROD375	3/8"	—	8'
EZ-ROD625	5/8"	1/4"	12'

- Notes**
- Cut rod to desired length at time of installation.
 - EZ-ROD-625
 - Rod core can be tapped to 5/16-18

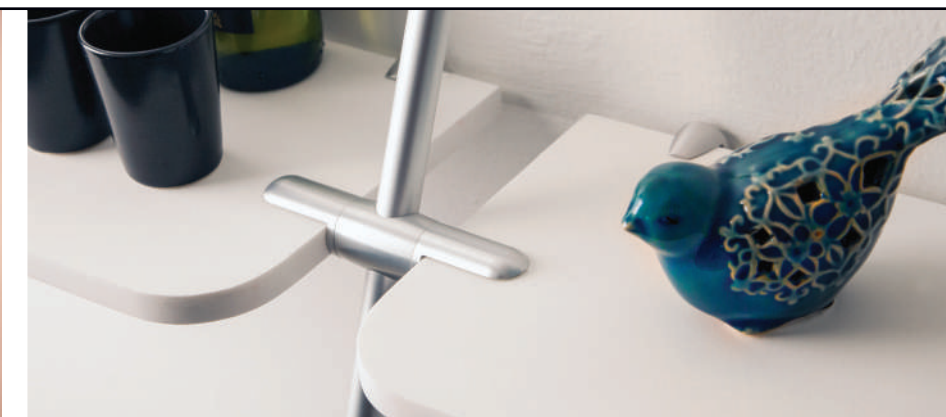
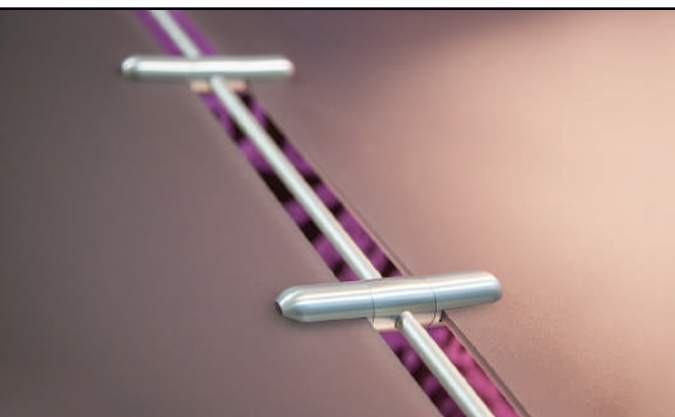
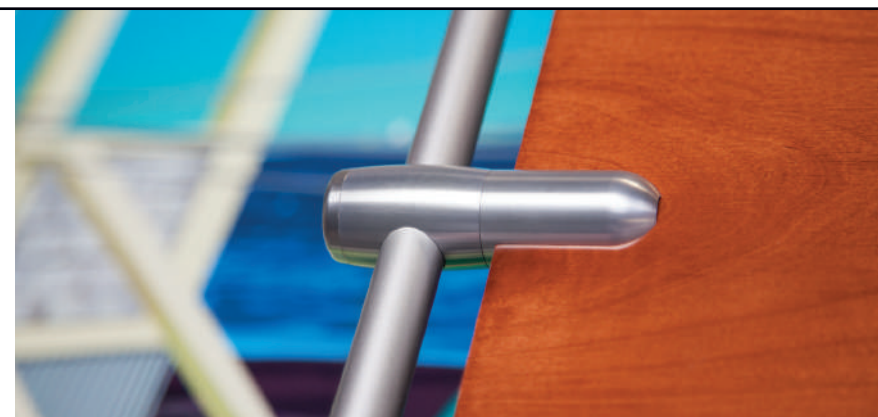
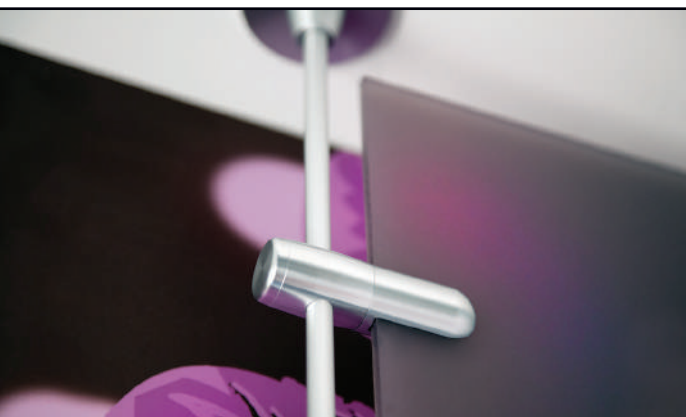


Our Customer Support Team is here to help

Call Us:
775.829.7272
Monday - Friday
7:00 a.m. - 3:30 p.m. (PST)

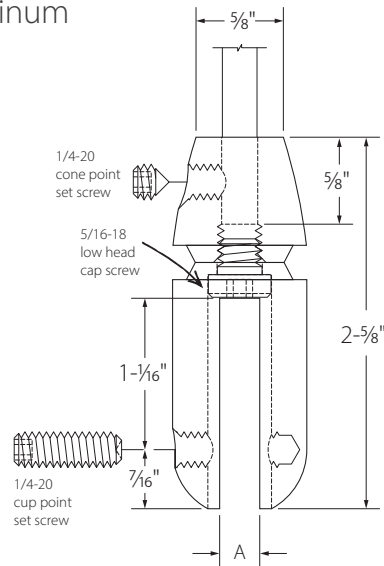
Email Us:
info@standoffsystems.com

- Full design support
- Installation guidance
- Free quotes
- Send us a sketch or .dwg



EZ 1/4" ROD VERTICAL PANEL GRIPPER

Aluminum



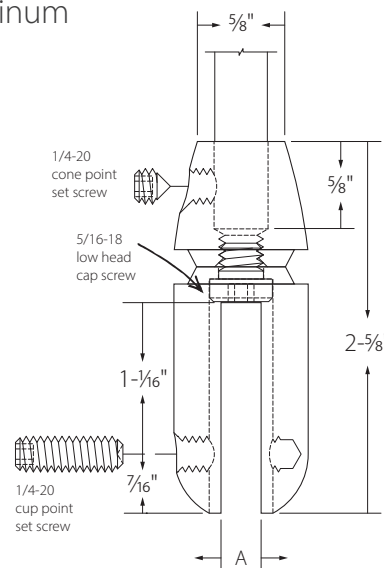
PART	HOLDS	SLOT OPENING (A)	LENGTH	ROD SIZE
EZ-A51-250	1/4"	.280"	2-5/8"	1/4"
EZ-A51-375	3/8"	.445"	2-5/8"	1/4"
EZ-A51-500	1/2"	.530"	2-5/8"	1/4"



- Assembly hardware included**
- (1) Cone point socket set screw (HD-CP75)
 - (1) Low head socket cap screw (HD-LHD65)
 - (1) Cup point socket set screw (HD-S105)

EZ 3/8" ROD VERTICAL PANEL GRIPPER

Aluminum



PART	HOLDS	SLOT OPENING (A)	LENGTH	ROD SIZE
EZ-A52-250	1/4"	.280"	2-5/8"	3/8"
EZ-A52-375	3/8"	.445"	2-5/8"	3/8"
EZ-A52-500	1/2"	.530"	2-5/8"	3/8"



- Assembly hardware included**
- (1) Cone point socket set screw (HD-CP75)
 - (1) Low head socket cap screw (HD-LHD65)
 - (1) Cup point socket set screw (HD-S105)

EZ 3/8" ROD HEAVY VERTICAL PANEL GRIPPER

Aluminum

PART	HOLDS	SLOT OPENING (A)	LENGTH	ROD SIZE
EZ-AH52-250	1/4"	.280"	2-5/8"	3/8"
EZ-AH52-375	3/8"	.445"	2-5/8"	3/8"
EZ-AH52-500	1/2"	.530"	2-5/8"	3/8"



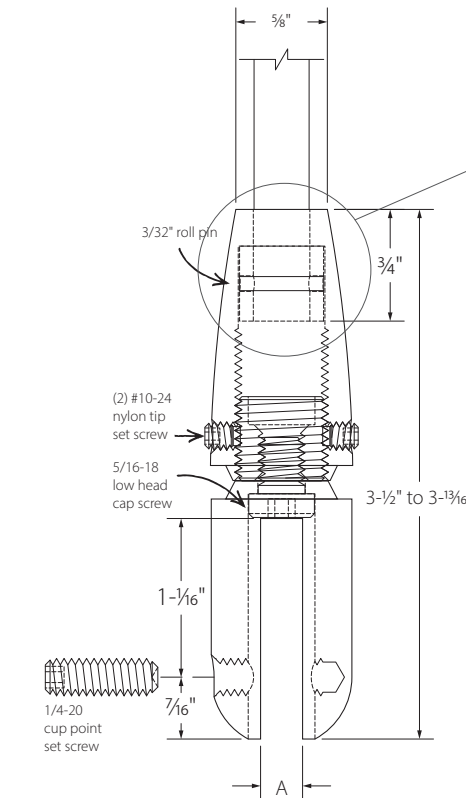
Note

- Heavy duty mounting option. Use the EZ-AH52 for a heavy duty top mount. This is sold unassembled so the rod terminator can be fixed during field installation

- Assembly hardware included**
- (1) Heavy connection roll pin (HD-332RP)
 - (1) 3/8" rod terminator (EZ-AHRT-375)
 - (1) EZ Heavy Turnbuckle Connection (EZ-HTM)
 - (2) Nylon tip set screw (HD-NT1)
 - (1) Low head socket cap screw (HD-LHD7)
 - (1) Cup point socket set screw (HD-S105)

Note

- For precise placement of roll pin hole, use rod drilling jig (HD-A375RDJ). See page HD:15



EZ-AH52-250
(For 1/4" material)



EZ-AH52-375
(For 3/8" material)

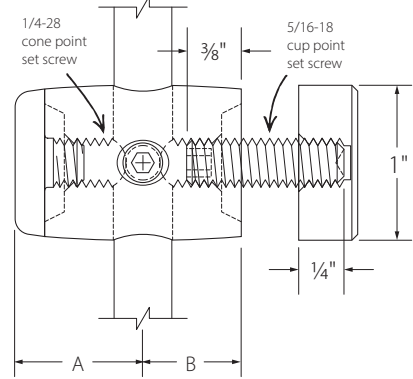


EZ-AH52-500
(For 1/2" material)



EZ ROD CONNECTOR WITH STANDOFF CAP
Aluminum

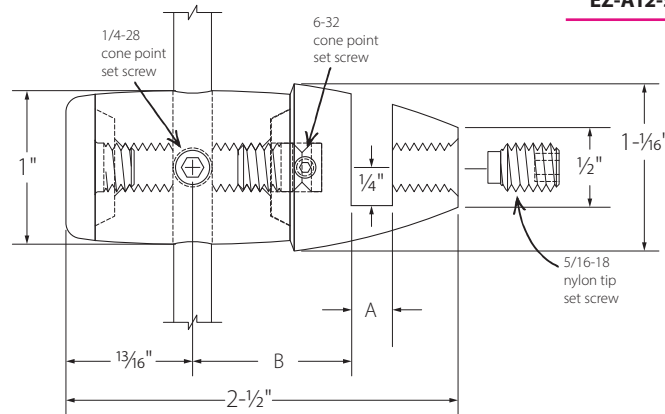
PART	BACK TO € (A)	PANEL TO € (B)	DIA.	ROD SIZE
EZ-A55R	13/16"	5/8"	1"	1/4"
EZ-A56	13/16"	5/8"	1"	3/8"
EZ-A57	7/8"	11/16"	1"	5/8"



- Assembly hardware included**
- (1) Cone point socket set screw (HD-CP7)
 - (1) Threaded stud up to 1-1/2" long. Specify stud or material thickness. See page HD:2

EZ 1/4" ROD CONNECTOR WITH SADDLE GRIPPER
Aluminum

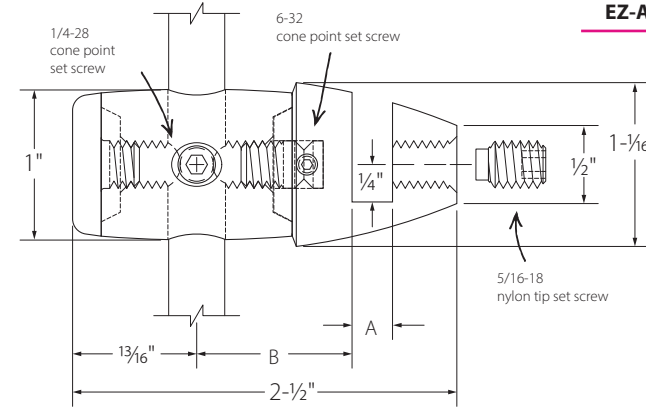
PART	HOLDS	SLOT OPENING (A)	SLOT TO € (B)	ROD SIZE
EZ-A12-125R	1/8"	.155"	1-1/16"	1/4"
EZ-A12-250R	1/4"	.265"	1"	1/4"
EZ-A12-375R	3/8"	.385"	15/16"	1/4"
EZ-A12-500R	1/2"	.515"	7/8"	1/4"



- Assembly hardware included**
- (1) StructureLite v-groove connector (SL-CP)
 - (1) Cone point socket set screw (HD-CP3)
 - (1) Cone point socket set screw (HD-CP7)
 - (1) Nylon tip socket set screw (HD-NT8)
 - (1) Nylon tip socket set screw (HD-NT7)
- Note**
- Grippers rotate and can be fixed at any angle

EZ 3/8" ROD CONNECTOR WITH SADDLE GRIPPER
Aluminum

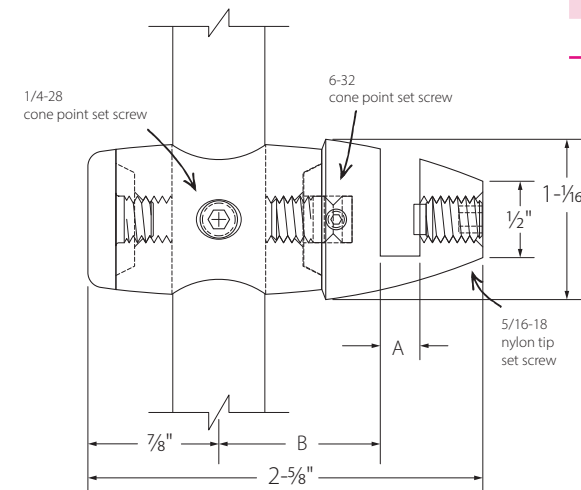
PART	HOLDS	SLOT OPENING (A)	SLOT TO € (B)	ROD SIZE
EZ-A16-125R	1/8"	.155"	1-1/16"	3/8"
EZ-A16-250R	1/4"	.265"	1"	3/8"
EZ-A16-375R	3/8"	.385"	15/16"	3/8"
EZ-A16-500R	1/2"	.515"	7/8"	3/8"



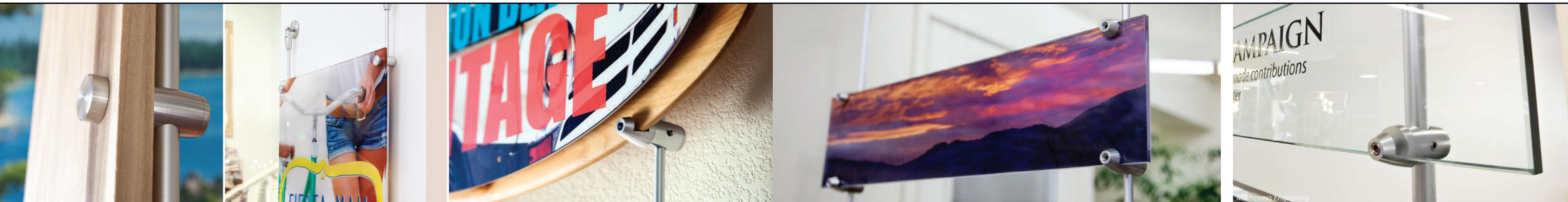
- Assembly hardware included**
- (1) StructureLite v-groove connector (SL-CP)
 - (1) Cone point socket set screw (HD-CP3)
 - (1) Cone point socket set screw (HD-CP7)
 - (1) Nylon tip socket set screw (HD-NT8)
 - (1) Nylon tip socket set screw (HD-NT7)
- Note**
- Grippers rotate and can be fixed at any angle

EZ 5/8" ROD CONNECTOR WITH SADDLE GRIPPER
Aluminum

PART	HOLDS	SLOT OPENING (A)	SLOT TO € (B)	ROD SIZE
EZ-A62-125	1/8"	.155"	1-1/8"	5/8"
EZ-A62-250	1/4"	.265"	1-1/16"	5/8"
EZ-A62-375	3/8"	.385"	1"	5/8"
EZ-A62-500	1/2"	.515"	15/16"	5/8"

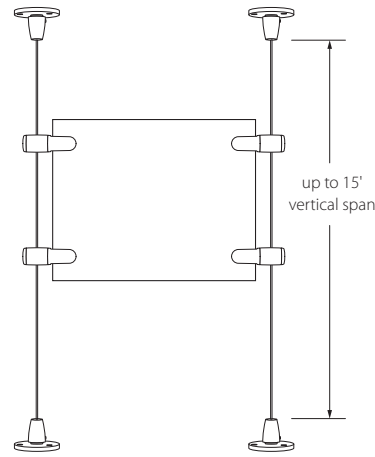


- Assembly hardware included**
- (1) StructureLite v-groove connector (SL-CP)
 - (1) Cone point socket set screw (HD-CP3)
 - (1) Cone point socket set screw (HD-CP7)
 - (1) Nylon tip socket set screw (HD-NT8)
 - (1) Nylon tip socket set screw (HD-NT7)
- Note**
- Grippers rotate and can be fixed at any angle



© 2014 Henerys Engineering

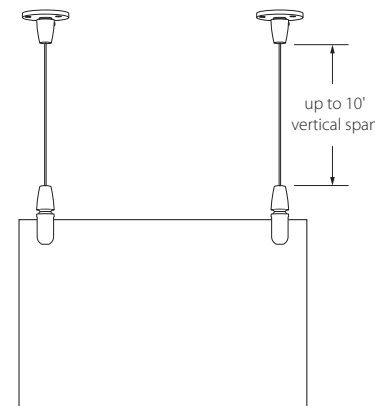
EZ FLOOR TO CEILING MOUNTED WIRE SUSPENSION SYSTEM
Aluminum



PART	WIRE SIZE	HOLDS
EZK-13	1/8"	3/8"
EZK-14	1/8"	1/2"

- Installation hardware included**
 - (12) Oval head screw (HD-PS2)
 - Assembly hardware included**
 - (2) 15' 3/64" swaged wire lengths (EZ-AWIRE15)
 - (2) EZ Heavy Top Mounts (EZ-AH28PO)
 - (2) EZ Bottom Mounts (WL-A28)
 - (1) 1' Plastic Tubing (HD-PT2)
- EZK-13**
- (4) EZ Vertical Gripper (EZ-A58-375)
- EZK-14**
- (4) EZ Vertical Gripper (EZ-A58-500)

EZ CEILING MOUNTED WIRE SUSPENSION SYSTEM
Aluminum



PART	WIRE SIZE	HOLDS
EZK-15	1/8"	3/8"
EZK-16	1/8"	1/2"

- Installation hardware included**
 - (6) Oval head screw (HD-PS2)
 - Assembly hardware included**
 - (2) 10' 3/64" swaged wire lengths (EZ-AWIRE10)
 - (2) EZ Heavy Top Mounts (EZ-AH28PO)
 - (1) 1' Plastic Tubing (HD-PT2)
- EZK-15**
- (2) EZ Heavy Vertical Gripper (EZ-AH43-375PO)
- EZK-16**
- (2) EZ Heavy Vertical Gripper (EZ-AH43-500PO)

EZ INDIVIDUAL AND REPLACEMENT PARTS
Visit our website for product specifications

EZ GRIPPERS

STANDARD GRIPPERS

- EZ-AG-125**
For 1/8" material
- EZ-AG-250**
For 1/4" material
- EZ-AG-375**
For 3/8" material
- EZ-AG-500**
For 1/2" material
- EZ-AG-750**
For 3/4" material

SADDLE GRIPPERS

- EZ-ASG-125**
For 1/8" material
- EZ-ASG-250**
For 1/4" material
- EZ-ASG-375**
For 3/8" material
- EZ-ASG-500**
For 1/2" material

THRU-HOLE GRIPPERS

- EZ-AGRIP-250**
For 1/4" material
- EZ-AGRIP-375**
For 3/8" material
- EZ-AGRIP-500**
For 1/2" material
- EZ-AGRIP-750**
For 3/4" material

BASE PLATES

- EZ-A2.5WMBL**
Base plate with counterbore hole
- EZ-A2.5WMBT**
Base plate with 5/16-18 tapped hole

HINGES

- EZ-AHC**
Hinge Assembly
- EZ-AHF**
Female component
- EZ-HM**
Male component

PULLEY WHEEL PARTS

- EZ-PW**
Pulley wheel
- EZ-APGRIP**
Pulley gripper

ROD CONNECTORS

- EZ-A250C**
For 1/4" rod
- EZ-A375C**
For 3/8" rod
- EZ-A625C**
For 5/8" rod



EZ INDIVIDUAL AND REPLACEMENT PARTS

Visit our website for product specifications

ROD GRIPPERS

-  **EZ-ARG-250**
For 1/4" rod
-  **EZ-ARG-375**
For 3/8" rod
-  **EZ-ASRG-250**
For 1/4" rod
-  **EZ-ASRG-375**
For 3/8" rod

ROD TURNBUCKLES

-  **EZ-ATR-250**
For 1/4" rod
-  **EZ-AHR-375**
For 3/8" rod

5/8" ROD TRAVELERS

-  **EZ-A625RE**
5/8" rod end

SHELVING & CONNECTION COMPONENTS

-  **EZ-A125WHW**
1/8" wire hub (see page SL:13)
-  **EZ-SP1**
Spacer
-  **EZ-PFC**
Press-fit connector



FINISHING COMPONENTS

-  **EZ-GC**
Gripper Cap

TERMINATORS

-  **EZ-ART-250**
1/4" rod terminator
-  **EZ-AHRT-375**
3/8" rod terminator
-  **EZ-AWT-125**
EZ 1/8" wire terminator

TRANSITION CONNECTORS

-  **EZ-AKC-250**
5/16-18 thread to 1/4" rod
-  **EZ-AKC-375**
3/8" rod to 1/4" rod

EZ INDIVIDUAL AND REPLACEMENT PARTS

Visit our website for product specifications

TURNBUCKLE COMPONENTS

-  **HD-A375RDJ**
3/8" rod drilling jig
-  **EZ-HTM**
Long turnbuckle connection
-  **EZ-TMS**
Standard turnbuckle connection
-  **EZ-HW-125**
EZ 1/8" Wire Stopper

WIRE GRIPPERS

-  **EZ-AWG-125**
For 1/8" wire

WIRE CONNECTORS

-  **EZ-A125C**
For 1/8" wire
-  **EZ-AHWC2R**
For 1/8" wire
-  **EZ-AHWC3**
For 1/8" wire

WIRE TURNBUCKLES

-  **EZ-ATW-125**
For 1/8" wire
 -  **EZ-ATL-125**
For 1/8" wire
 -  **EZ-AHW-125PO**
For 1/8" wire
 -  **EZ-AHT-125PO**
For 1/8" wire
- 
EZ-AHW-125PO
(1/8" wire)


EZ-AHT-125PO
(1/8" wire)



Inspirational Photo Galleries

www.standoffsystems.com/photo-gallery

- Signage/Awards
- Art/Framing
- Interior Design/Construction
- Retail/POP
- Shelving/Displays
- Exhibits/Museums

EZ ROD & WIRE INDEX



1	EZ 1/8" Wire Top Mount with Base Plate EZ-A27	EZ:2	14	EZ 1/8" Wire Single Gripper EZ-A5-125R, EZ-A5-250R, EZ-A5-375R, EZ-A5-500R, EZ-A5-750R	EZ:10
2	EZ 1/8" Wire Bottom Turnbuckle with Base Plate EZ-A28	EZ:2	15	EZ 1/8" Wire Double Panel Gripper EZ-A6-125R, EZ-A6-250R, EZ-A6-375R, EZ-A6-500R, EZ-A6-750R	EZ:10
3	EZ 1/8" Wire Heavy Top Mount Turnbuckle with Base Plate* EZ-AH28PO	EZ:3	16	EZ 1/8" Wire Thru-bolt Gripper EZ-A58-250, EZ-A58-375, EZ-A58-500, EZ-A58-750	EZ:11
4	EZ 1/8" Wire Hinged Mount with Base Plate EZ-A19	EZ:4	17	EZ 1/8" Wire Double Panel Thru-bolt Gripper EZ-A59-250, EZ-A59-375, EZ-A59-500, EZ-A59-750	EZ:11
5	EZ 1/8" Wire Hinged Bottom Turnbuckle with Base Plate EZ-A20	EZ:4	18	EZ 1/8" Wire Vertical Panel Gripper EZ-AVGC-250, EZ-AVGC-375, EZ-AVGC-500	EZ:12
6	EZ 1/8" Wire Heavy Hinged Turnbuckle with Base Plate* EZ-AH20PO	EZ:5	19	EZ 1/8" Wire Horizontal Shelf Gripper EZ-AHGC-375, EZ-AHGC-500	EZ:12
7	EZ 1/8" Wire 90° Wall Mount with Base Plate EZ-A33-W125	EZ:6	20	EZ 1/8" Wire Vertical Double Panel Gripper EZ-AVDG-250, EZ-AVDG-375	EZ:13
8	EZ 1/8" Wire 90° Bottom Wall Mount with Base Plate EZ-A34-W125	EZ:6	21	EZ 1/8" Wire Horizontal Double Shelf Gripper EZ-AHDG-375, EZ-AHDG-500	EZ:13
9	EZ 1/8" Wire 90° Wall Mount with Base Plate* EZ-AH33-W125PO	EZ:7	22	EZ 1/8" Wire Vertical Panel Gripper EZ-A43-250, EZ-A43-375, EZ-A43-500	EZ:14
10	EZ 1/8" Wire Heavy Angled Surface Top Mount EZ-APCA	EZ:8	23	EZ 1/8" Wire Vertical Heavy Panel Gripper* EZ-AH43-250PO, EZ-AH43-375PO, EZ-AH43-500PO, EZ-AH43-750PO	EZ:15
11	EZ 1/8" Wire Heavy Angled Surface Top Mount with Base Plate EZ-A53	EZ:8	24	EZ 1/8" Wire Connector with Cap EZ-A50	EZ:16
12	EZ 1/8" Wire (By the Foot) EZ-WIRE-125	EZ:9	25	EZ 1/8" Wire Saddle Gripper EZ-A8-125R, EZ-A8-250R, EZ-A8-375R, EZ-A8-500R	EZ:16
13	EZ 1/8" Swaged Wire Packs EZ-AWIRE10, EZ-AWIRE15	EZ:9	26	EZ 1/8" Wire Pulley Wheel with Base Plate EZ-APW	EZ:17

EZ ROD & WIRE INDEX

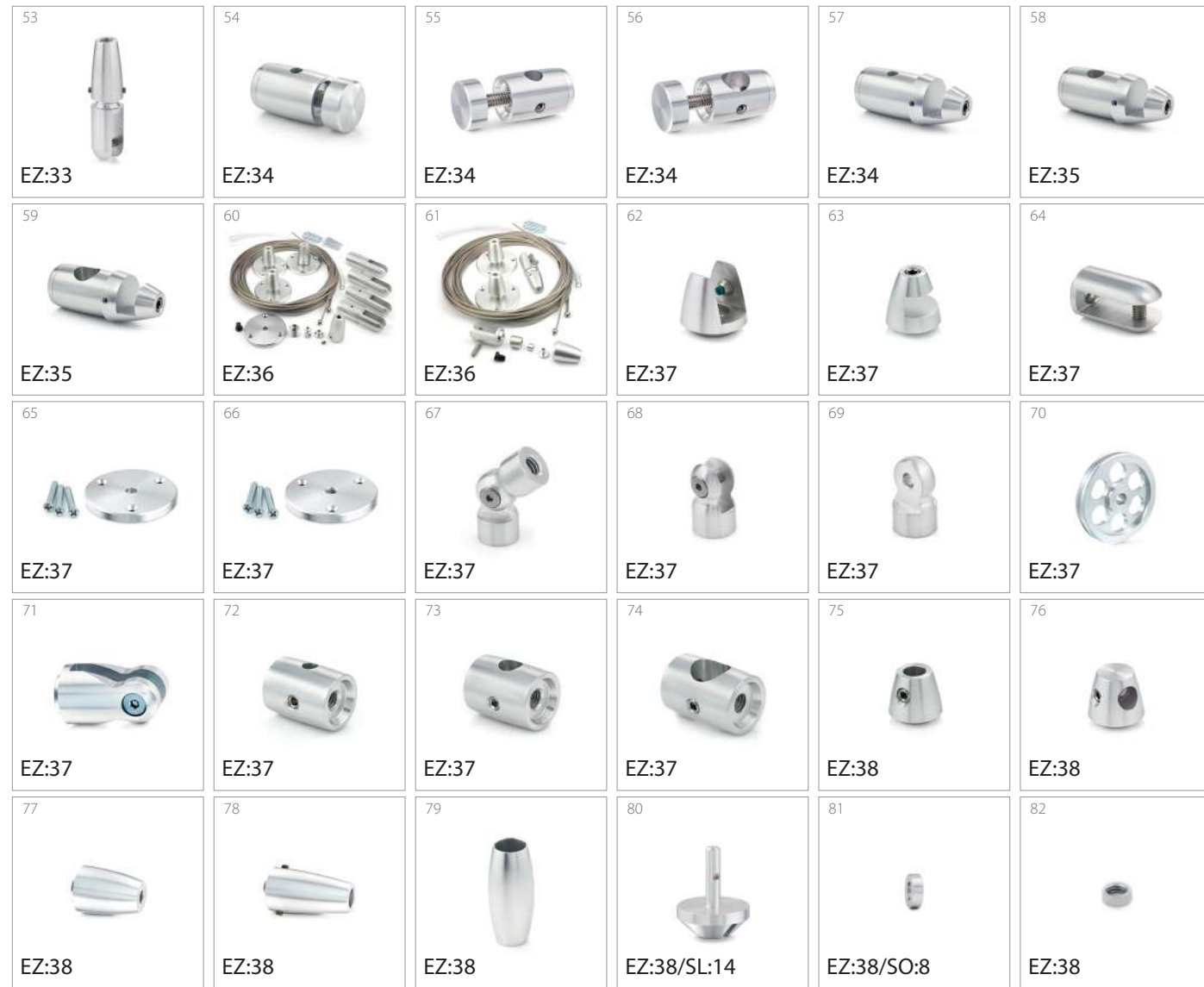


27	EZ 1/8" Wire Flying Turnbuckle EZ-AH45PO	EZ:17	40	EZ 1/4" Rod 90° Wall Connector with Base Plate EZ-A36-R250	EZ:26
28	EZ 1/8" Wire Spreader Bar EZ-A46, EZ-A47, EZ-A48, EZ-A63, EZ-A64, EZ-A65	EZ:18	41	EZ 3/8" Rod 90 Degree Wall Connector with Base Plate EZ-A36-R375	EZ:27
29	EZ 1/8" Wire Shelf Hub EZ-A40	EZ:20	42	EZ 1/4" Rod Connector with Single Shelf or Panel Gripper EZ-A9-125R, EZ-A9-250R, EZ-A9-375R, EZ-A9-500R, EZ-A9-750R	EZ:28
30	EZ 1/8" Wire Angled Panel Connector EZ-A44	EZ:20	43	EZ 3/8" Rod Connector with Single Shelf or Panel Gripper EZ-A13-125R, EZ-A13-250R, EZ-A13-375R, EZ-A13-500R, EZ-A13-750R	EZ:28
31	EZ Panel Gripper with Base Plate EZ-A41-250, EZ-A41-375, EZ-A41-500, EZ-A41-750	EZ:21	44	EZ 1/4" Rod Connector with Double Shelf or Panel Gripper EZ-A10-125R, EZ-A10-250R, EZ-A10-375R, EZ-A10-500R, EZ-A10-750R	EZ:29
32	EZ Extended Surfaced Mount Panel Gripper EZ-A66-250, EZ-A66-375, EZ-A66-500	EZ:21	45	EZ 3/8" Rod Connector with Double Shelf or Panel Gripper EZ-A14-125R, EZ-A14-250R, EZ-A14-375R, EZ-A14-500R, EZ-A14-750R	EZ:29
33	EZ 1/4" Rod Top Mount with Base Plate EZ-A29	EZ:22	46	EZ 5/8" Rod Connector with Single Thru-bolt Shelf or Panel Gripper EZ-A60-250, EZ-A60-375, EZ-A60-500	EZ:30
34	EZ 1/4" Rod Bottom Turnbuckle Mount with Base Plate EZ-A30	EZ:22	47	EZ 1/4" Rod EZ-ROD250	EZ:30
35	EZ 3/8" Rod Top Mount with Base Plate EZ-A31	EZ:23	48	EZ 3/8" Rod EZ-ROD375	EZ:30
36	EZ 3/8" Rod Bottom Turnbuckle Mount with Base Plate EZ-AH32	EZ:23	49	EZ 5/8" Rod EZ-ROD625	EZ:30
37	EZ 1/4" Rod Hinged Top Wall Mount with Base Plate EZ-A21	EZ:24	50	EZ 5/8" Rod Connector with Double Thru-bolt Shelf or Panel Gripper EZ-A61-250, EZ-A61-375, EZ-A61-500	EZ:31
38	EZ 1/4" Rod Hinged Bottom Wall Mount with Base Plate EZ-A22	EZ:24	51	EZ 1/4" Rod Vertical Panel Gripper EZ-A51-250, EZ-A51-375, EZ-A51-500	EZ:32
39	EZ 3/8" Rod Heavy Hinged Wall Mount with Base Plate EZ-AH24	EZ:25	52	EZ 3/8" Rod Vertical Panel Gripper EZ-A52-250, EZ-A52-375, EZ-A52-500	EZ:32

*Parts are shipped unassembled

*Parts are shipped unassembled

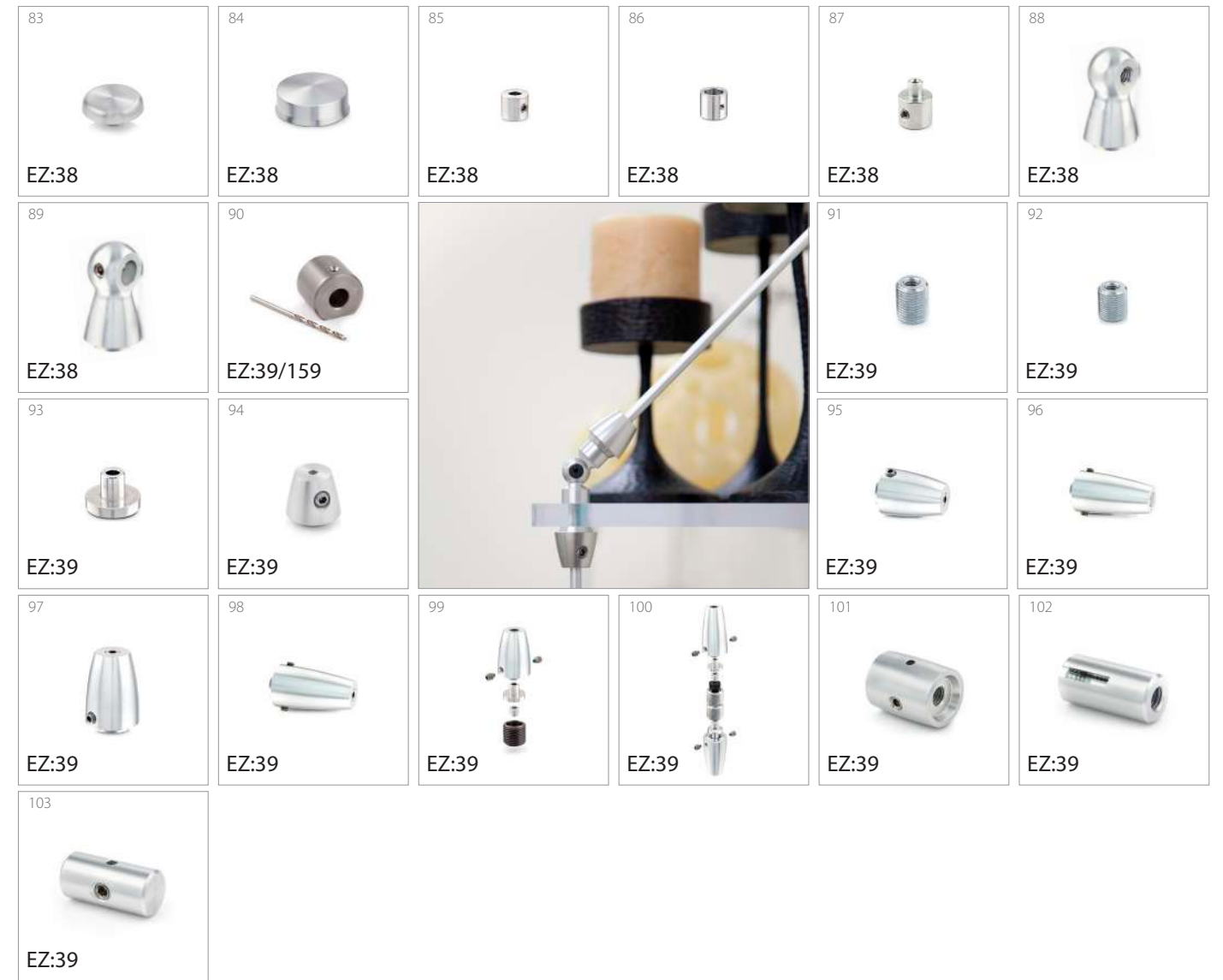
EZ ROD & WIRE INDEX



53	EZ 3/8" Rod Heavy Vertical Panel Gripper* EZ-AH52-250, EZ-AH52-375, EZ-AH52-500	EZ:33	68	EZ Hinge Female Component EZ-AHF	EZ:37
54	EZ 1/4" Rod Connector with Standoff Cap EZ-A55R	EZ:34	69	EZ Hinge Male Component EZ-HM	EZ:37
55	EZ 3/8" Rod Connector with Standoff Cap EZ-A56	EZ:34	70	EZ 1/8" Wire Pulley Wheel EZ-PW	EZ:37
56	EZ 5/8" Rod Connector with Standoff Cap EZ-A57	EZ:34	71	EZ Pulley Grip EZ-APGRIP	EZ:37
57	EZ 1/4" Rod Connector with Saddle Gripper EZ-A12-125R, EZ-A12-250R, EZ-A12-375R, EZ-A12-500R	EZ:34	72	EZ 1/4" Rod Connector EZ-A250C	EZ:37
58	EZ 3/8" Rod Connector with Saddle Gripper EZ-A16-125R, EZ-A16-250R, EZ-A16-375R, EZ-A16-500R	EZ:35	73	EZ 3/8" Rod Connector EZ-A375C	EZ:37
59	EZ 5/8" Rod Connector with Saddle Gripper EZ-A62-125, EZ-A62-250, EZ-A62-375, EZ-A62-500	EZ:35	74	EZ 5/8" Rod Connector EZ-A625C	EZ:37
60	EZ Floor to Ceiling Mounted Wire Suspension System EZK-13, EZK-14	EZ:36	75	EZ 3/8" Rod Thru-mount EZ-ARG-250, EZ-ARG-375	EZ:38
61	EZ Ceiling Mounted Wire Suspension System EZK-15, EZK-16	EZ:36	76	EZ 1/4" Rod Thru-mount EZ-ASRG-250, EZ-ASRG-375	EZ:38
62	EZ Shelf/Panel Gripper EZ-AG-125, EZ-AG-250, EZ-AG-375, EZ-AG-500, EZ-AG-750	EZ:37	77	EZ 1/4" Rod Bottom Turnbuckle Mount EZ-ATR-250	EZ:38
63	EZ Saddle Gripper EZ-ASG-125, EZ-ASG-250, EZ-ASG-375, EZ-ASG-500	EZ:37	78	EZ 3/8" Rod Heavy Turnbuckle Mount EZ-AHR-375	EZ:38
64	EZ Thru-bolt Panel Gripper EZ-AGRIP-250, EZ-AGRIP-375, EZ-AGRIP-500, EZ-A41-750	EZ:37	79	EZ 5/8" Rod End EZ-A625RE	EZ:38
65	EZ Base Plate with Counterbore Thru-hole EZ-A2.5WMBL	EZ:37	80	EZ 1/8" Wire 1-Way Hub EZ-A125WHW	EZ:38/SL:14
66	EZ Base Plate with 5/16-18 Tapped Hole EZ-A2.5WMBT	EZ:37	81	EZ 5/8" Spacer EZ-SP1	EZ:38/SO:8
67	EZ Hinge Assembly EZ-AHC	EZ:37	82	EZ Press-fit Connector EZ-PPC	EZ:38

*Parts are shipped unassembled

EZ ROD & WIRE INDEX



83	EZ Finishing Cap EZ-CRCAP	EZ:38	94	EZ 1/8" Wire Gripper EZ-AWG-125	EZ:39
84	EZ Gripper Cap EZ-GC	EZ:38	95	EZ 1/8" Wire Bottom Turnbuckle EZ-ATW-125	EZ:39
85	EZ 1/4" Rod Terminator EZ-ART-250	EZ:38	96	EZ 1/8" Wire Bottom Long Turnbuckle EZ-ATL-125	EZ:39
86	EZ 3/8" Rod Terminator EZ-AHRT-375	EZ:38	97	EZ 1/8" Wire Heavy Turnbuckle EZ-AHW-125	EZ:39
87	EZ 1/8" Wire Terminator EZ-AWT-125	EZ:38	98	EZ 1/8" Wire Heavy Long Top Turnbuckle EZ-AHT-125	EZ:39
88	EZ 1/4" Rod Transition Connector EZ-AKC-250	EZ:38	99	EZ 1/8" Wire Heavy Turnbuckle* EZ-AHW-125PO	EZ:39
89	EZ 3/8" to 1/4" Rod Transition Connector EZ-AKC-375	EZ:38	100	EZ 1/8" Wire Heavy Long Turnbuckle* EZ-AHT-125PO	EZ:39
90	3/8" Rod Drilling Jig HD-A375RDJ	EZ:39/HD:15	101	EZ 1/8" Wire Inline Connector EZ-A125C	EZ:39
91	EZ Long Turnbuckle Connection EZ-HTM	EZ:39	102	EZ 1/8" Wire Connector Type 2 (Slotted) EZ-AHWC2R	EZ:39
92	EZ Turnbuckle Connection EZ-TMS	EZ:39	103	EZ 1/8" Wire Connector Type 3 (Finished End) EZ-HWC3	EZ:39
93	EZ 1/8" Wire Stopper EZ-HW-125	EZ:39			

*Parts are shipped unassembled

StructureLite

StructureLite Extrusion	SL:2
StructureLite Blox™ Components	SL:6
StructureLite Extrusion Inserts	SL:7
StructureLite 2.5" H-Tube Components	SL:9
StructureLite C-Channel Components	SL:10
StructureLite Extrusion Connectors	SL:11
StructureLite Finishing Options	SL:14
StructureLite Kits	SL:16
StructureLite Individual & Replacement Parts	SL:17
StructureLite Index	SL:18



StructureLite is designed for structures created with extrusion profile. You can create your own furniture, shelving, displays, partitions, exhibits and other interior or architectural elements with this customizable collection of components.

EXTRUSION

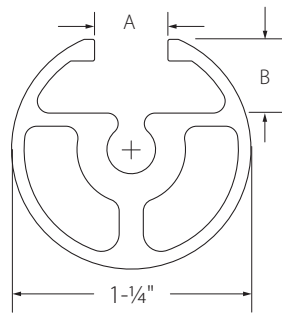
Aluminum

PART	SLOT (A)	SLOT DEPTH (B)	INSIDE DIA.	OUTSIDE DIA.	STANDARD LENGTH
SL-PROF	.35" to .38"	.38" to .39"	1/4"	1-1/4"	12'
SL-PROFD	(2) .35" to .38"	(2) .38" to .39"	1/4"	1-1/4"	12'
SL-PROF90	(2) .35" to .38"	(2) .38" to .39"	1/4"	1-1/4"	12'

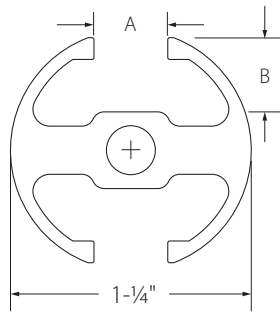
- Notes**
- Cut to desired length at time of installation. Additional cut charges may apply
 - Center holes can be drilled and tapped for 5/16-18 threads



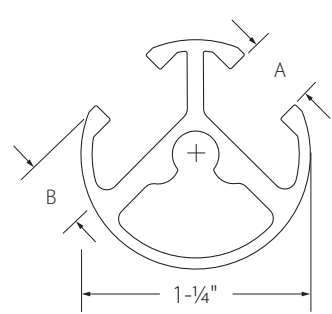
SL-PROF
(1 slot)



SL-PROFD
(2 slots)



SL-PROF90
(2 slots at 90°)



- Tips**
- Combine with extrusion nuts to attach additional components. See page SL:7
 - Combine with inserts and covers for additional options. See page SL:7



- Tips**
- Combine with extrusion nuts to attach additional components. See page SL:7
 - Combine with inserts and covers for additional options. See page SL:7



- Tips**
- Combine with extrusion nuts to attach additional components. See page SL:7
 - Combine with inserts and covers for additional options. See page SL:7



EXTRUSION

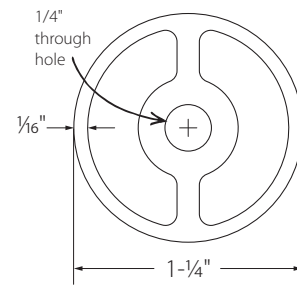
Aluminum

PART	INSIDE DIA.	OUTSIDE DIA.	STANDARD LENGTH
SL-BAR	1/4"	1-1/4"	8' or 12'
SL-2.5BAR	1/4"	2-1/2"	12'
SL-2.5HTUBE	2"	2-1/2"	8'

- Note**
- Cut to desired length at time of installation. Additional cut charges may apply



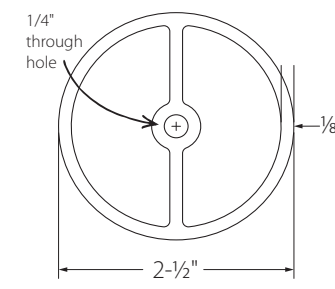
SL-BAR
(no slot)



- Tips**
- Center holes can be drilled and tapped for 5/16-18 threads.
 - Combine with 1.25" end cap (SL-2.5PCAP) for a finished option. See page SL:15



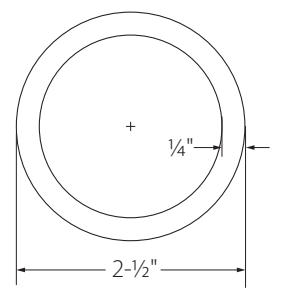
SL-2.5BAR
(2.5" extrusion)



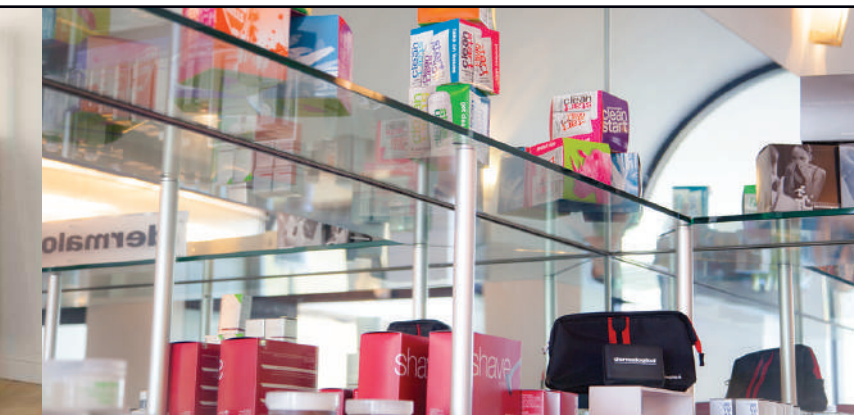
- Tips**
- Center holes can be drilled and tapped for 5/16-18 threads.
 - Combine with 2.5" end cap (SL-2.5PCAP) for a finished option. See page SL:15
 - Combine with 2.5" disc (SL-2.5DISC) as a finishing option, a transition component, or as a single mounting point. See page SL:15



SL-2.5HTUBE
(thick-walled 2.5" extrusion)



- Tips**
- Combine with an Heavy Top Cap (SL-HTC) for a finished end. See page SL:9
 - Also sold drilled with a base mount (SL-A2.5HTUBE), for a bottom mounted option. See page SL:9



EXTRUSION

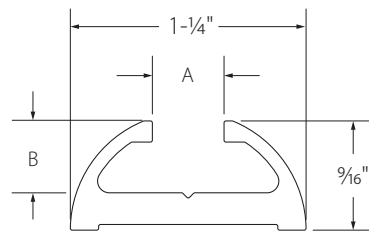
Aluminum

PART	SLOT (A)	SLOT DEPTH (B)	OUTSIDE WIDTH	STANDARD LENGTH
SL-WT	.35" to .38"	.38" to .39"	1-1/4"	8"
SL-C-CHANNEL	9/16"	1-3/4"	—	8'
SL-SQPROF	.35" to .38"	.38" to .39"	1-1/4"	12'

Note
 • Cut to desired length at time of installation. Additional cut charges may apply



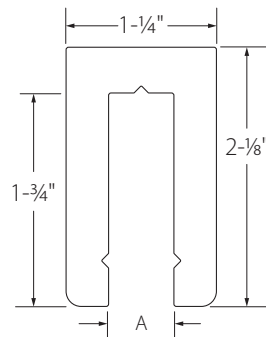
SL-WT
(Wall track)



- Tips**
- Add an end cap (SL-AWTEC) to create a finished end. See page SL:14
 - Combine with extrusion nuts to attach additional components. See page SL:7
 - Use drill bit (HD-DRILLCS) to create mounting holes. See page HD:14



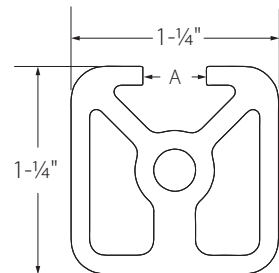
SL-C-CHANNEL
(Panel suspension)



- Tips**
- Combine with the C-Channel Installation Kit (SL-CHNLKIT) for panel suspension applications. See page SL:10
 - Use a C-Channel Cover (SL-CHNLCAP) for a finished look. See page SL:10
 - Use drill bits (HD-DRILLSTP) for mounting and (HD-DRILLP) for side-taps. See page HD:14



SL-SQPROF
(Single-slot)



- Tips**
- Combine with inserts and covers for additional options. See page SL:7
 - Use a Square End Cover (SL-BLOX1.25EC) for a finished look. See page SL:6
 - Combine with extrusion nuts to attach additional components. See page SL:7

EXTRUSION

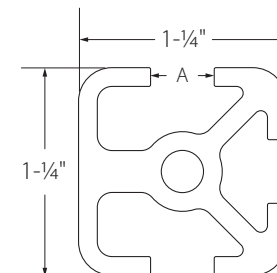
Aluminum

PART	SLOT (A)	SLOT DEPTH	OUTSIDE WIDTH	STANDARD LENGTH
SL-SQPROFD	(2) .35" to .38"	(2) .38" to .39"	1-1/4"	12'
SL-SQPROF90	.35" to .38"	.38" to .39"	1-1/4"	12'
SL-SQPROF3W	(3) .35" to .38"	(3) .38" to .39"	1-1/4"	12'
SL-SQPROF4W	(4) .35" to .38"	(4) .38" to .39"	1-1/4"	12'

Note
 • Cut to desired length at time of installation. Additional cut charges may apply
 • Combine with Blox™ components including specialized hubs, connectors and covers. See page HD:6



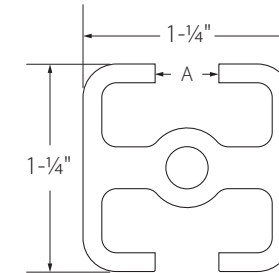
SL-SQPROF3W
(270° 3-slot)



- Tips**
- Combine with inserts and covers for additional options. See page SL:7
 - Use a Square End Cover (SL-BLOX1.25EC) for a finished look. See page SL:6
 - Combine with extrusion nuts to attach additional components. See page SL:7



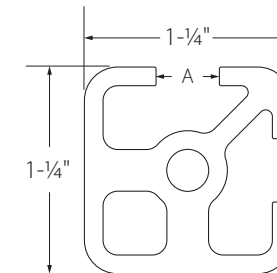
SL-SQPROFD
(180° 2-slot)



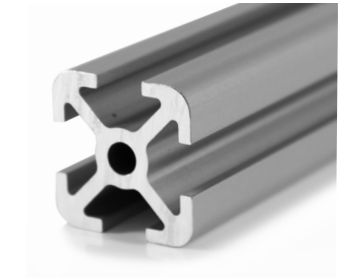
- Tips**
- Combine with inserts and covers for additional options. See page SL:7
 - Use a Square End Cover (SL-BLOX1.25EC) for a finished look. See page SL:6
 - Combine with extrusion nuts to attach additional components. See page SL:7



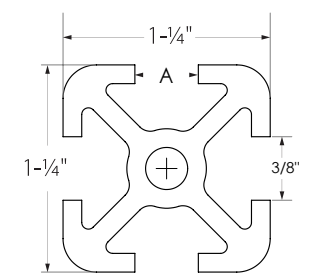
SL-SQPROF90
(90° 2-slot)



- Tips**
- Combine with inserts and covers for additional options. See page SL:7
 - Use a Square End Cover (SL-BLOX1.25EC) for a finished look. See page SL:6
 - Combine with extrusion nuts to attach additional components. See page SL:7



SL-SQPROF4W
(180° 2-slot)



- Tips**
- Combine with inserts and covers for additional options. See page SL:7
 - Use a Square End Cover (SL-BLOX1.25EC) for a finished look. See page SL:6
 - Combine with extrusion nuts to attach additional components. See page SL:7



BLOX BRACKETS

Aluminum

PART	CONNECTS
SL-SQCON1	1-1/4" square extrusion
SL-SQCON2	1-1/4" square extrusion
SL-SQCON3	1-1/4" square extrusion

Note
 • Securing to extrusion requires cup point socket set screws (HD-S15), sold separately. See page HD:2



SL-SQCON1
 Connects SL-SQPROFD to:
 • SL-SQPROF
 • SL-SQPROF90
 • SL-SQPROF3W

SL-SQCON2
 Connects:
 • SL-SQPROF
 • SL-SQPROF90
 • SL-SQPROF3W

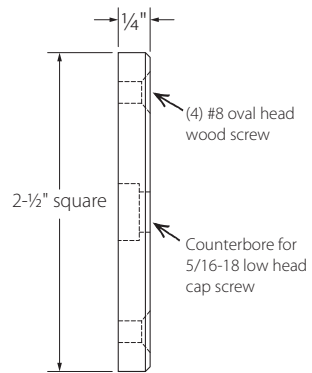
SL-SQCON3
 Connects:
 • SL-SQPROFD

SQUARE EXTRUSION MOUNT

Powder Coated Aluminum

PART	CONNECTS
SL-ASQWMBL	1-1/4" square extrusion

Installation hardware included
 • (4) Oval head screw (HD-PS2)

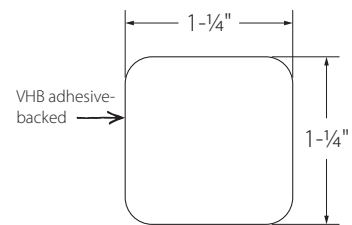


SQUARE END COVER

Aluminum

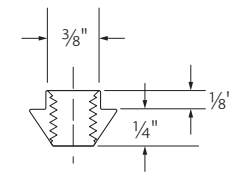
PART	COVERS	FINISH
SL-BLOX1.25EC	1-1/4" square extrusion	brushed aluminum

Note
 • Very high-bond adhesive-backed

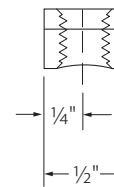


EXTRUSION NUTS

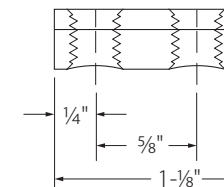
Aluminum



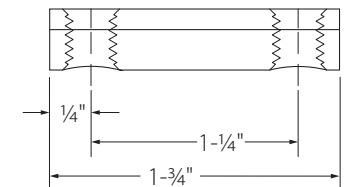
SL-CN1



SL-CN3



SL-CNRH



PLASTIC INSERTS

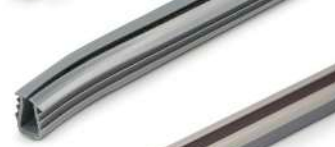
For slotted extrusions

PART	STYLE	FUNCTION	LENGTH
SL-PCS-72	cover strip	cover strip	6'
SL-SPF	flexible spine	grips 1/8" to 1/4"	by the foot
SL-SPR	rigid spline	grips 3/16" to 1/4"	8'

SL-PCS-72



SL-SPF



SL-SPR



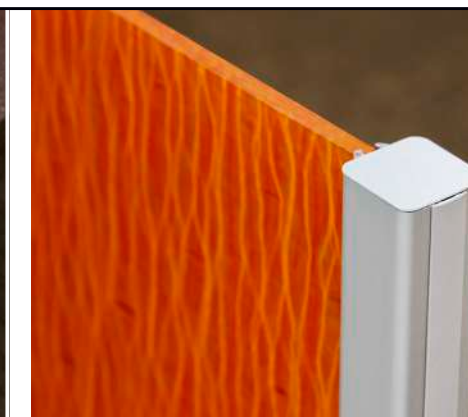
SL-PCS-72
(in SL-PROF)



SL-SPF
(in SL-PROF)



SL-SPR
(in SL-PROF)

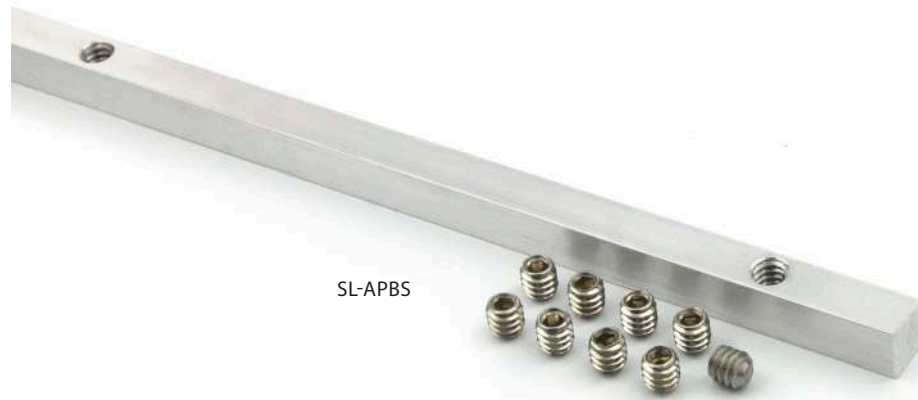
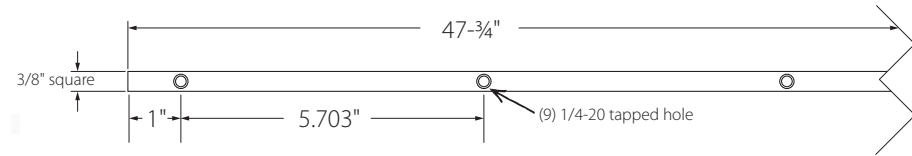


BAFFLE FIN HARDWARE

Aluminum

PART	LENGTH	# OF HOLES	TAPPED
SL-APBS	47-3/4"	9	5/16-18

- Assembly hardware included**
 - (9) Cup point socket set screw (HD-S10)
- Note**
 - Cut to desired length at time of installation. Additional cut charges may apply

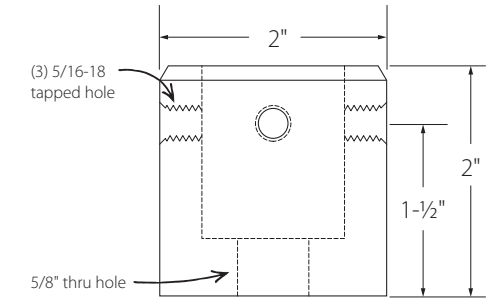


H-TUBE BASE MOUNT ASSEMBLY

Stainless Steel

PART	DIA.	HEIGHT	USE WITH
SL-A2.5HTUBE	2"	2"	SL-A2.5HTUBE

- Assembly hardware included**
 - (1) 8" H-Tube (SL-2.5HTUBE) tapped for base mount
 - (3) Button socket cap screw (HD-BH3)
 - (1) H-Tube Base Mount (SL-2.5BM)
- Note**
 - Use the heavy concrete anchor (HD-CA7) for a sturdy floor-mounted option. See page HD:8
 - Can also be installed onto a wood surface with a 1/2" lag bolt (not included)

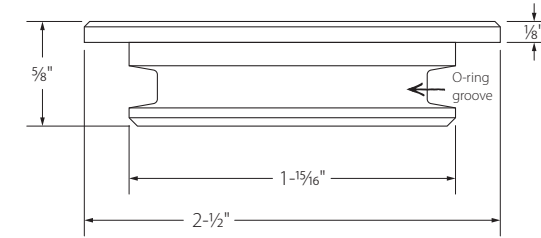


H-TUBE HEAVY TOP CAP

Aluminum

PART	DIA.	EXPOSED HEIGHT	COVERS
SL-A2.5HTC	2-1/2"	1/8"	SL-2.5HTUBE

- Assembly hardware included**
 - (1) Rubber o-ring



SL-A2.5HTC



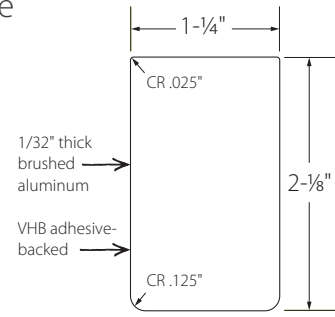
Inspirational Photo Galleries
www.standoffsystems.com/photo-gallery

- Signage/Awards
- Art/Framing
- Interior Design/Construction
- Retail/POP
- Shelving/Displays
- Exhibits/Museums



C-CHANNEL END COVER

Plastic with Adhesive



PART	SIZE	COVERS
SL-CHNLCAP	1-1/4" x 2-1/8"	C-Channel Extrusion

Note
• Very high-bond adhesive-backed



C-CHANNEL INSTALLATION KIT



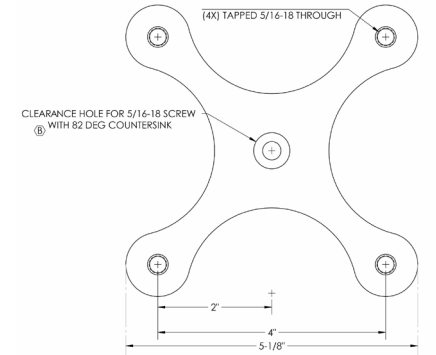
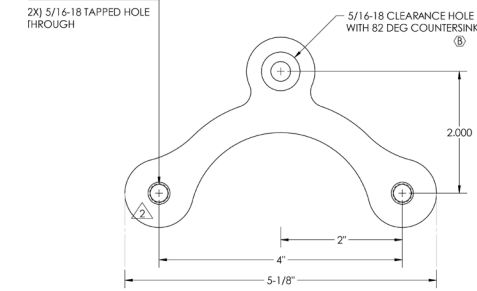
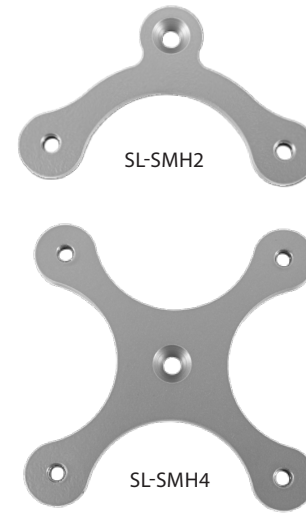
PART	USE FOR
SL-CHNLKIT	C-Channel floor to ceiling Installation

Assembly hardware included
• (2) Insert tool
• (6) Plastic shim
• (1) 10' x 1/8" rubber cord insert
• (1) 10' x 3/32" rubber cord insert

Note
• Use to create a secure fit when creating floor-to-ceiling-panel installations with C-Channel for 3/8" and 1/2" thick panels

STRUCTURELITE SPIDER MOUNT

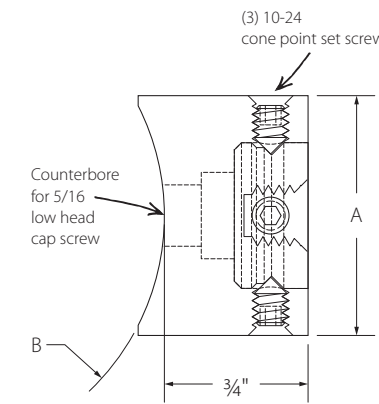
Powder Coated Steel



PART	TAPPED	TAPPED MOUNTING HOLES
SL-SMH2	5/16-18	2
SL-SMH4	5/16-18	4

CONNECTION TRAVELERS

Aluminum



SL-ACT6

PART	DIA. (A)	CONNECTS TO (B)	TAPPED	THREAD DEPTH
SL-ACT6	1-1/4"	1-1/4" extrusion	5/16-18	1/4"

Assembly hardware included
• (3) Cone point socket set screw (HD-CP5)
• (1) StructureLite Connection Cap (SL-CC)

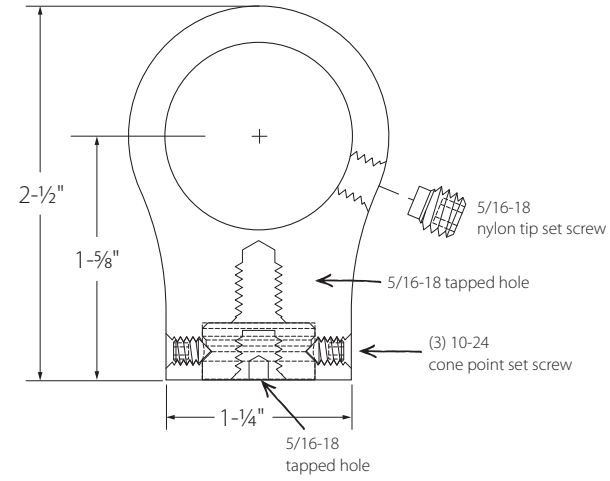


BALL TRAVELER

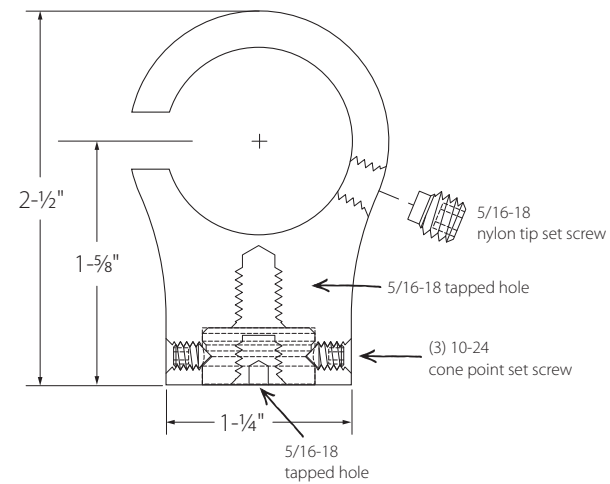
Aluminum

PART	SLOT	CONNECTS	HOLDS	TAPPED
SL-ABT	no slot	1-1/4" extrusion	1-1/4" extrusion	5/16-18
SL-ASBT	3/8" slot	1-1/4" extrusion	1-1/4" extrusion	5/16-18

- Assembly hardware included**
- (1) Nylon tip socket set screw (HD-NT7)
 - (3) Cone point socket set screw (HD-CP5)
 - (1) StructureLite Connection Cap (SL-CC)



SL-ABT



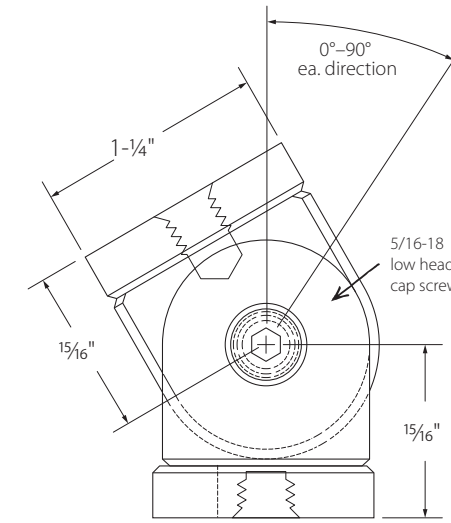
SL-ASBT

PANEL HINGE

For slotted extrusions

PART	CONNECTS	DIRECTION	TAPPED	THREAD DEPTH
SL-ADCMLH	1-1/4" extrusion	left-facing	5/16-18	1/4"
SL-ADCMRH	1-1/4" extrusion	right-facing	5/16-18	1/4"

- Assembly hardware included**
- (1) Low head socket cap screw (HD-LHD105)



SL-ADCMLH



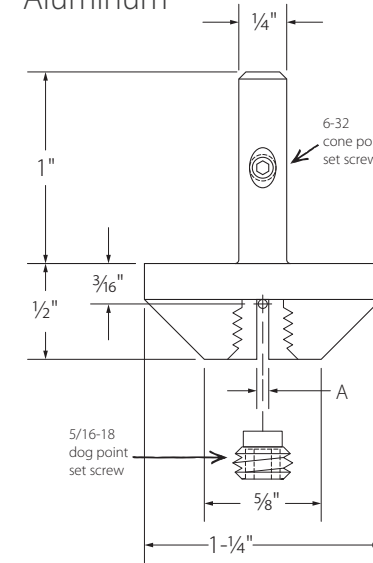
SL-ADCMRH

1-WAY WIRE HUB

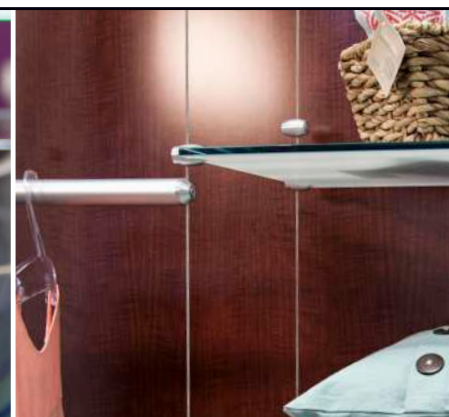
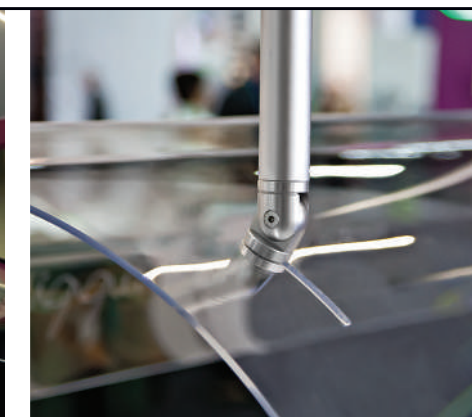
Aluminum

PART	DIA.	LENGTH	WIRE SLOT (A)
EZ-A125WHW	1-1/4"	1-1/2"	1/8"

- Assembly hardware included**
- (1) Cone point socket set screw (HD-CP3) WS-A1WHW
 - (1) Dog point socket set screw (HD-DP2) EZ-A125WHW
 - (1) Flat point socket set screw (HD-FPTS)

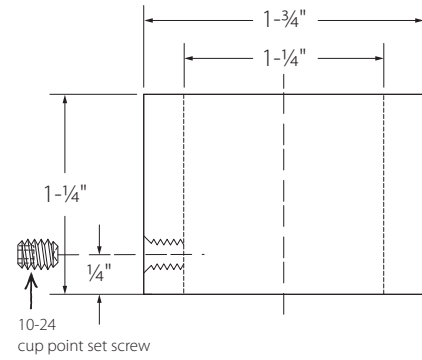


EZ-A125WHW
(For 1/8" wire)



PROFILE COVER

Aluminum



PART	COVERS	OUTSIDE DIA.	INSIDE DIA.
SL-APROFCVR	SL-PROF, SL-PROFD	1-3/4"	1-1/4"
SL-ASQCVR	SL-SQPROF, SL-SQPROFD, SL-SQ-PROF90, SL-SQPROF3W, SL-SQ-PROF4W	2"	1-1/4"

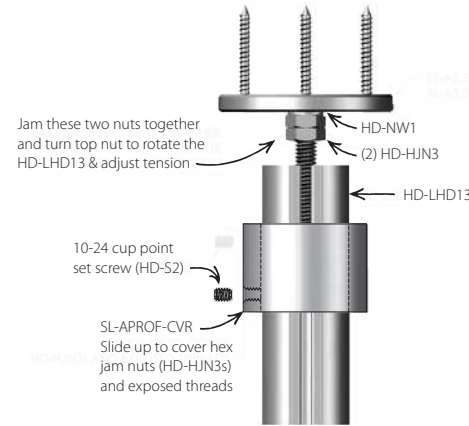


SL-APROFCVR



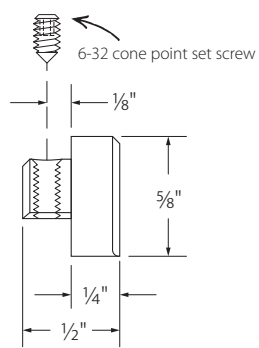
SL-ASQCVR

- Assembly hardware included**
 - (1) Cup point socket set screw (HD-S2)
- Note**
 - Allows tensioning of floor-to-ceiling extrusion-pillar systems



WALL TRACK END CAP

Aluminum

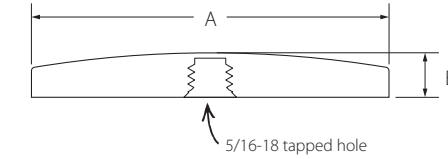


PART	FITS	DIA.	STEM DIA.
SL-AWTEC	SL-WT	1-1/4" half-circle	7/8" half-circle

- Assembly hardware included**
 - (1) Cone point socket set screw (HD-CP3)

EXTRUSION CAP

Aluminum



SL-1.25PCAP



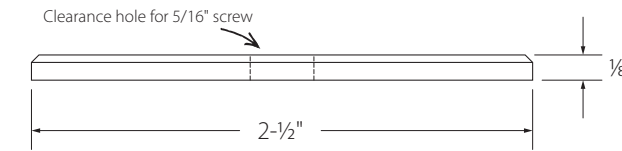
SL-2.5PCAP

PART	DIA. (A)	CAP HEIGHT (B)	TAPPED	THREAD DEPTH
SL-1.25PCAP	1-1/4"	5/16"	5/16-18	3/16"
SL-2.5PCAP	2-1/2"	5/16"	5/16-18	3/16"

- Assembly hardware included**
 - (1) Threaded stud up to 1-1/2" long. Specify stud length or material thickness. See page HD:2
- Note**
 - These StructureLite Caps are designed for extrusion, but can also be used as Standoff Caps for barrels of the same diameter

DISC

Aluminum



SL-2.5DISC

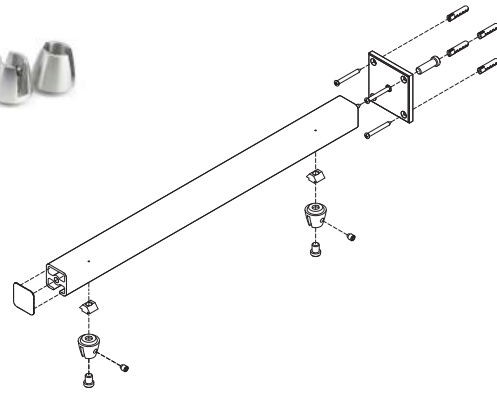
PART	FITS	DIA.	THICKNESS
SL-2.5DISC	2-1/2" Extrusion	2-1/2"	1/8"



STRUCTURELITE BLADE SIGN KIT

Aluminum

PART	LENGTH	MOUNTING PLATE	HOLDS
SLK-BL-125	18"	2.5" square	1/8"
SLK-BL-250	18"	2.5" square	1/4"
SLK-BL-375	18"	2.5" square	3/8"
SLK-BL-500	18"	2.5" square	1/2"

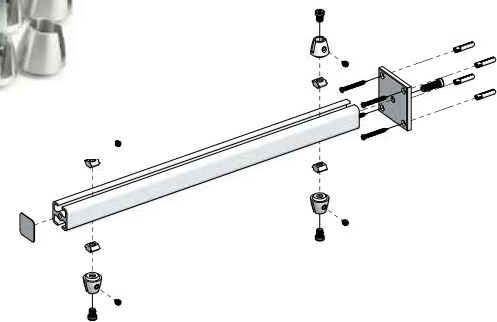


- Installation hardware included**
 - (4) All-purpose anchors (HD-FDA1)
 - (4) Oval head screw (HD-PS2)
- Assembly hardware included**
 - (1) Square extrusion (SL-SQPROF) cut to 18" and drilled/tapped on one side
 - (1) Mounting plate (SL-ASQWMBL)
 - (1) Low head socket cap Screw (HD-LHD10S)
 - (2) Low head socket cap screw (HD-LHD7)
 - (1) Square Extrusion Cover (SL-BLOX1.25EC)
 - (2) Extrusion nuts (SL-CN1)
 - (2) EZ Grippers (EZ-AG-125, 250, 375, or 500)
- Note**
 - Blade Sign Kit does not include any signage or acrylic material

STRUCTURELITE DOUBLE BLADE SIGN KIT

Aluminum

PART	LENGTH	MOUNTING PLATE	HOLDS
SLK-DBL-125	18"	2.5" square	1/8"
SLK-DBL-250	18"	2.5" square	1/4"
SLK-DBL-375	18"	2.5" square	3/8"
SLK-DBL-500	18"	2.5" square	1/2"



- Installation hardware included**
 - (4) All-purpose anchors (HD-FDA1)
 - (4) Oval head screw (HD-PS2)
- Assembly hardware included**
 - (1) Square extrusion (SL-SQPROF) cut to 18" and drilled/tapped on one side
 - (1) Mounting plate (SL-ASQWMBL)
 - (1) Low head socket cap Screw (HD-LHD10S)
 - (4) Low head socket cap screw (HD-LHD7)
 - (1) Square Extrusion Cover (SL-BLOX1.25EC)
 - (4) Extrusion nuts (SL-CN1)
 - (4) EZ Grippers (EZ-AG-125, 250, 375, or 500)
- Note**
 - Double Blade Sign Kit does not include any signage or acrylic material

STRUCTURELITE INDIVIDUAL AND REPLACEMENT PARTS

Visit our website for product specifications

BASE MOUNT



SL-CC
Connection Cap

BASE MOUNT



SL-A2.5BM
H-Tube Base Mount

CONNECTION PINS (see page HD:11)



SL-CP
V-groove



SL-APFS
Press fit/Cone-point set screw fit

HINGES



SL-ADCFRH
Female (right)

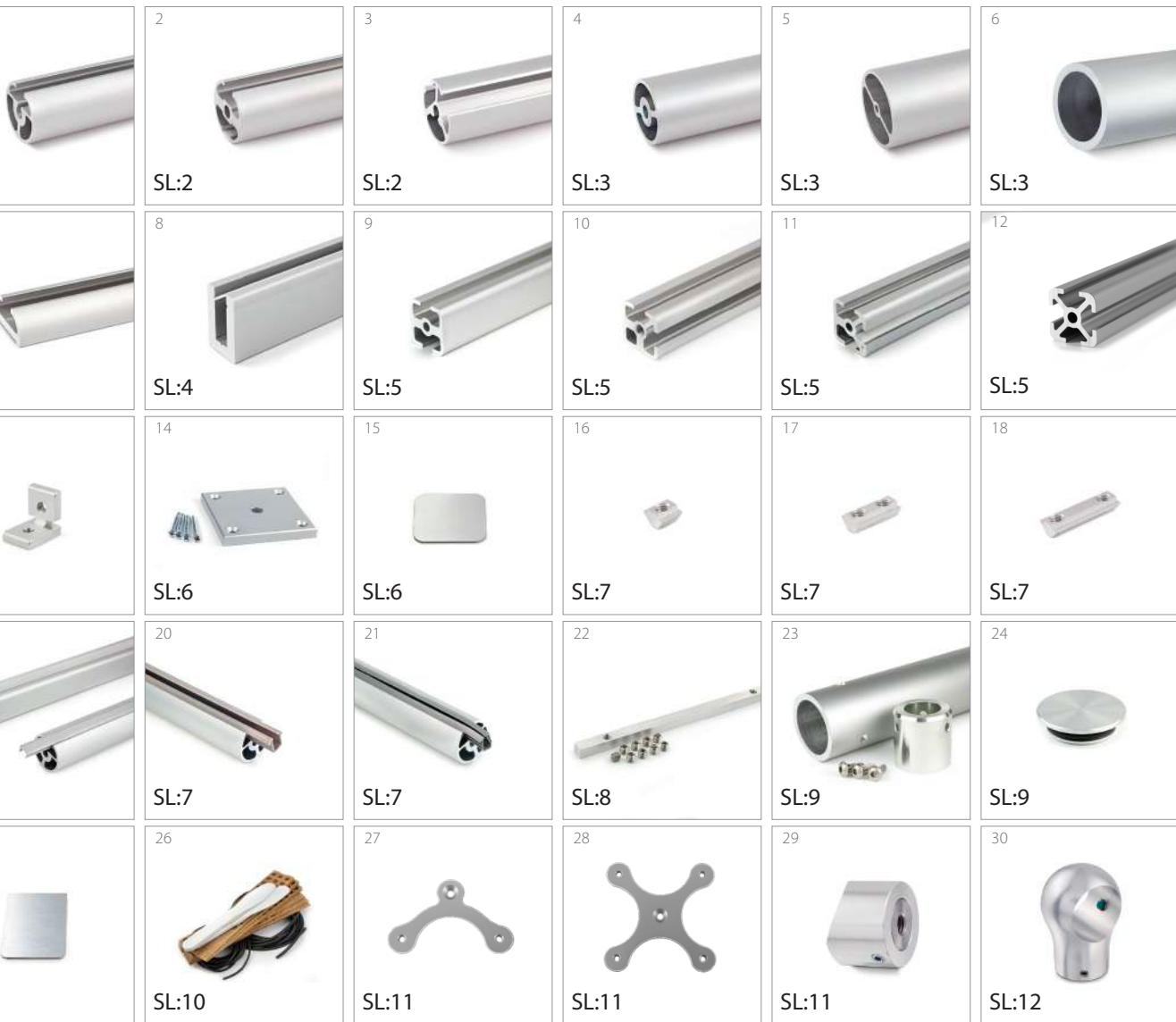


SL-ADCFLH
Female (left)



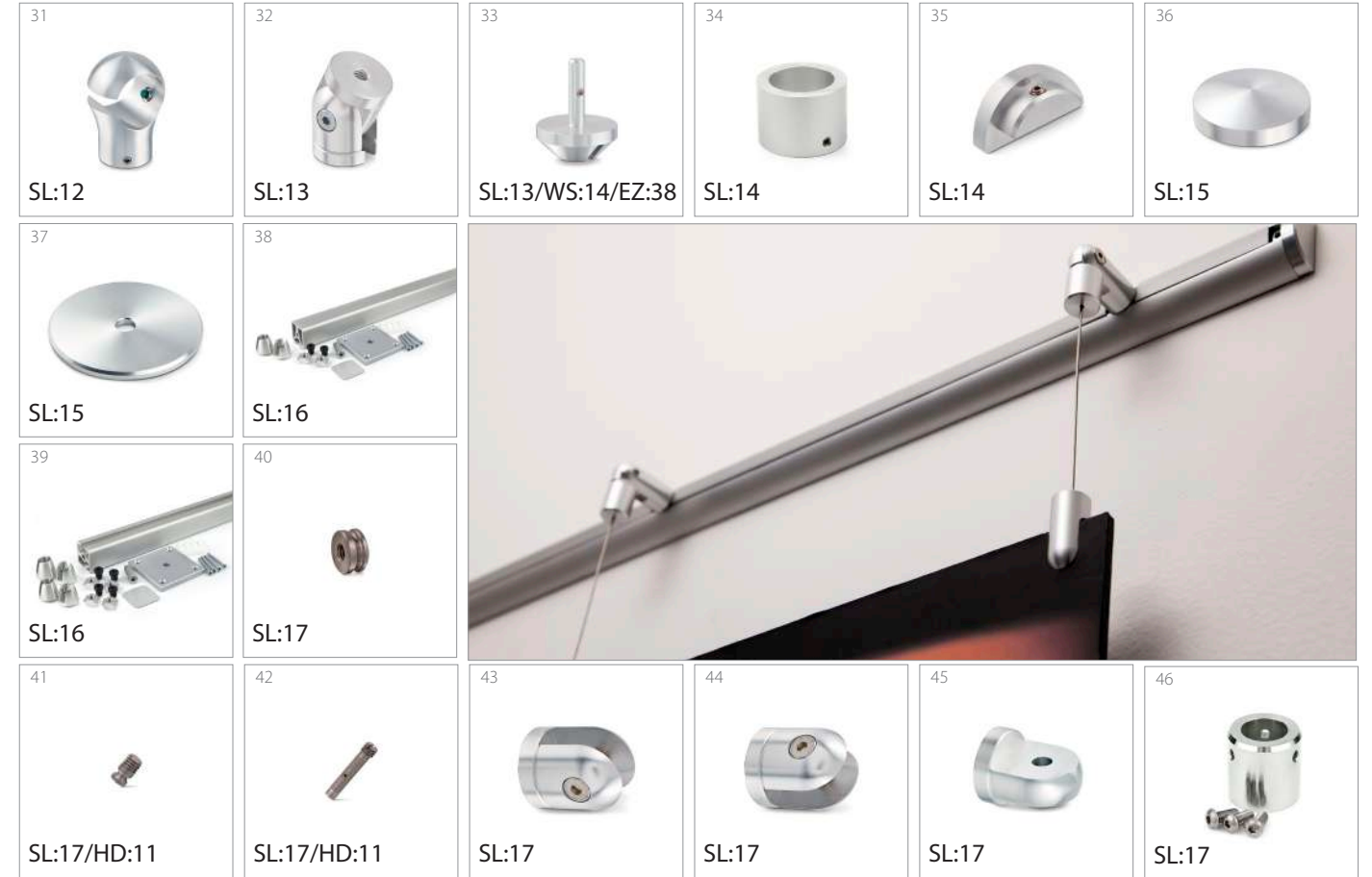
SL-DCM
Male component

STRUCTURELITE INDEX



1	StructureLite Single-Slot Extrusion SL-PROF	SL:2	16	StructureLite Extrusion Nut 1 SL-CN1	SL:7
2	StructureLite 180 Degree 2-Slot Extrusion SL-PROFD	SL:2	17	StructureLite Extrusion Nut 3 SL-CN3	SL:7
3	StructureLite 90 Degree 2-Slot Extrusion SL-PROF90	SL:2	18	StructureLite Extrusion Nut RH SL-CNRH	SL:7
4	StructureLite Extrusion Bar SL-BAR	SL:3	19	StructureLite 96" Plastic Cover Strip SL-PCS-72	SL:7
5	StructureLite 2-1/2" Diameter Extrusion SL-2.5BAR	SL:3	20	StructureLite Rigid Plastic Spline SL-SPR	SL:7
6	StructureLite 2-1/2" Diameter Extrusion SL-2.5HTUBE	SL:3	21	StructureLite Flexible Plastic Spline SL-SPF	SL:7
7	StructureLite Wall Track Extrusion SL-WT	SL:4	22	StructureLite Baffle Fin Hardware SL-APBS	SL:8
8	StructureLite C-Channel SL-C-CHANNEL	SL:4	23	StructureLite H-Tube Base Mount Assembly SL-A2.5HTUBE	SL:9
9	StructureLite Square 180° 2-Slot Extrusion SL-SQPROFD	SL:5	24	StructureLite H-Tube Heavy Top Cap SL-A2.5HTC	SL:9
10	StructureLite Square 90° 2-Slot Extrusion SL-SQPROF90	SL:5	25	StructureLite C-Channel End Cover SL-CNLCAP	SL:10
11	StructureLite Square 3-Slot Extrusion SL-SQPROF3W	SL:5	26	StructureLite C-Channel Installation Kit SL-CHNLKIT	SL:10
12	StructureLite Square 4-Slot Extrusion SL-SQPROF4W	SL:5	27	StructureLite Spider Mount 2 SL-SMH2	SL:11
13	StructureLite Blox Bracket SL-SQCON1, SL-SQCON2, SL-SQCON3	SL:6	28	StructureLite Spider Mount 4 SL-SMH4	SL:11
14	StructureLite Square Extrusion Mount SL-ASQWMBL	SL:6	29	StructureLite 1-1/4 to 2-1/2" Extrusion Connection Traveler SL-ACT6	SL:11
15	StructureLite Square End Cover SL-BLOX1.25EC	SL:6	30	StructureLite Ball Traveler SL-ASBT	SL:11

STRUCTURELITE INDEX



31	StructureLite Slotted Ball Traveler SL-ASBT	SL:12	39	StructureLite Double Bade Sign Kit SLK-DBL-125, SLK-DBL-250, SLK-DBL-375, SLK-DBL-500	SL:16
32	StructureLite Extrusion Hinge Assembly SL-ADCMH, SL-ADCMRH	SL:13	40	StructureLite Connection Cap SL-CC	SL:17
33	Slotted Wire Hub EZ-A125WHW	SL:13/WS:14/EZ:38	41	StructureLite Connection Pin SL-CP	SL:17/HD:11
34	StructureLite Profile Cover SL-APROFCVR	SL:14	42	StructureLite Press Fit Connection Pin SL-APFS	SL:17/HD:11
35	StructureLite Wall Track End Cap SL-AWTEC	SL:14	43	StructureLite Right Hand Panel Hinge Female Component SL-ADCFRH	SL:17
36	StructureLite Extrusion Cap SL-1.25PCAP, SL-2.5PCAP	SL:15	44	StructureLite Left Hand Panel Hinge Female Component SL-ADCFLH	SL:17
37	StructureLite 2-1/2" Disc SL-2.5DISC	SL:15	45	StructureLite Panel Hinge Male Component SL-DCM	SL:17
38	StructureLite Bade Sign Kit SLK-BL-125, SLK-BL-250, SLK-BL-375, SLK-BL-500	SL:16	46	StructureLite H-Tube Base Mount SL-A2.5BM	SL:17

Simply Frames & Holders

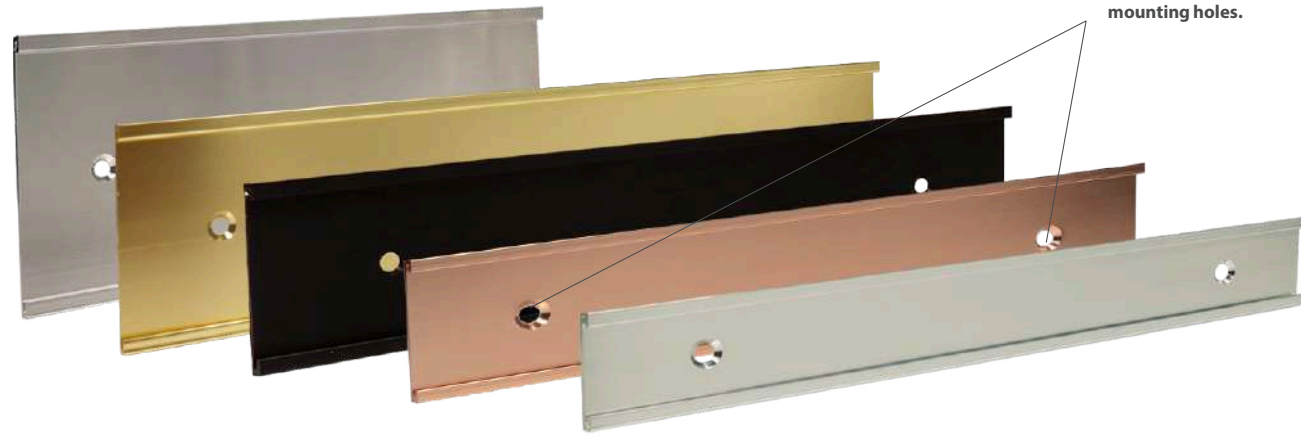
Simply Wall Holders	SF:2
Simply Desk Holders	SF:4
Simply Corridor Brackets	SF:5



SIMPLY Frames are designed to be easy to install and easy on your budget. From desk and wall plates in popular sizes and finishes, the SIMPLY line of products is the perfect way to finish off any signage project.

SIMPLY WALL HOLDERS

for 1/16" thick material



Two counter-sunk holes* for standard screw mounting.
*39" pieces do not come with mounting holes.



Finished Example

Available in five anodized finishes:

*Polished anodized finish



PART	INSERT HEIGHT	COLOR	LENGTH
SW-4.75SS	3/4"	Satin Silver	4"
SW-6.75S	3/4"	Silver	6"

PART	INSERT HEIGHT	COLOR	LENGTH
SW-41G	1"	Rose Gold	4"
SW-41SS	1"	Satin Silver	4"
SW-61B	1"	Matte Black	6"
SW-61G	1"	Rose Gold	6"
SW-61SS	1"	Satin Silver	6"
SW-81B	1"	Matte Black	8"
SW-81G	1"	Rose Gold	8"
SW-81SS	1"	Satin Silver	8"
SW-101MB	1"	Matte Black	10"
SW-101G	1"	Rose Gold	10"
SW101SS	1"	Satin Silver	10"
SW-121S	1"	Silver	12"
SW-391B	1"	Matte Black	39"
SW-391SS	1"	Satin Silver	39"
SW-391S	1"	Silver	39"

PART	INSERT HEIGHT	COLOR	LENGTH
SW-415S	1-1/2"	Silver	4"
SW-615B	1-1/2"	Matte Black	6"
SW-615S	1-1/2"	Silver	6"
SW-815B	1-1/2"	Matte Black	8"
SW-815G	1-1/2"	Rose Gold	8"
SW-815SS	1-1/2"	Satin Silver	8"
SW-1015G	1-1/2"	Rose Gold	10"
SW-1015S	1-1/2"	Silver	10"
SW-1215G	1-1/2"	Rose Gold	12"
SW-1215S	1-1/2"	Silver	12"
SW-3915B	1-1/2"	Matte Black	39"
SW-3915G	1-1/2"	Rose Gold	39"
SW-3915SS	1-1/2"	Satin Silver	39"

PART	INSERT HEIGHT	COLOR	LENGTH
SW-415S	2-1/2"	Rose Gold	8"
SW-615B	2-1/2"	Satin Silver	8"
SW-615S	2-1/2"	Matte Black	39"
SW-815B	2-1/2"	Satin Silver	39"

PART	INSERT HEIGHT	COLOR	LENGTH
SW-42SS	2"	Satin Silver	4"
SW-62MB	2"	Matte Black	6"
SW-62SS	2"	Satin Silver	6"
SW-82B	2"	Matte Black	8"
SW-82G	2"	Rose Gold	8"
SW-82SS	2"	Satin Silver	8"
SW-82S	2"	Silver	8"
SW-82YG	2"	Yellow Gold	8"
SW-92S	2"	Silver	9"
SW-102B	2"	Matte Black	10"
SW-102SS	2"	Satin Silver	10"
SW-102G	2"	Rose Gold	10"
SW-102S	2"	Silver	10"
SW-102YG	2"	Yellow Gold	10"
SW-122MB	2"	Matte Black	12"
SW-122G	2"	Rose Gold	12"
SW-122SS	2"	Satin Silver	12"
SW-122YG	2"	Yellow Gold	12"
SW-392B	2"	Matte Black	39"
SW-392G	2"	Rose Gold	39"
SW-392SS	2"	Satin Silver	39"
SW-392S	2"	Silver	39"
SW-392YG	2"	Yellow Gold	39"

PART	INSERT HEIGHT	COLOR	LENGTH
SW-83G	3"	Rose Gold	8"
SW-83SS	3"	Satin Silver	8"
SW-103G	3"	Rose Gold	10"
SW-103SS	3"	Satin Silver	10"
SW-123B	3"	Matte Black	12"
SW-123G	3"	Rose Gold	12"
SW-123SS	3"	Satin Silver	12"
SW-393B	3"	Matte Black	39"
SW-393SS	3"	Satin Silver	39"
SW-393S	3"	Silver	39"

PART	INSERT HEIGHT	COLOR	LENGTH
SW-84G	4"	Rose Gold	8"
SW-84SS	4"	Satin Silver	8"
SW-104S	4"	Silver	10"
SW-124G	4"	Rose Gold	12"
SW-124S	4"	Silver	12"
SW-394B	4"	Matte Black	39"
SW-394SS	4"	Satin Silver	39"

SIMPLY DESK HOLDERS

for 1/16" thick material



Finished Example

Available in five anodized finishes:

*Polished anodized finish



PART	INSERT HEIGHT	COLOR	LENGTH
SD-82B	2"	Matte Black	8"
SD-82G	2"	Rose Gold	8"
SD-82SS	2"	Satin Silver	8"
SD-82S	2"	Silver	8"
SD-82YG	2"	Yellow Gold	8"
SD-102B	2"	Matte Black	10"
SD-102G	2"	Rose Gold	10"
SD-102SS	2"	Satin Silver	10"
SD-102S	2"	Silver	10"
SD-102YG	2"	Yellow Gold	10"
SD-122MB	2"	Matte Black	12"
SD-122G	2"	Rose Gold	12"
SD-122SS	2"	Satin Silver	12"
SD-122YG	2"	Yellow Gold	12"
SD-392B	2"	Matte Black	39"
SD-392G	2"	Rose Gold	39"
SD-392S	2"	Silver	39"
SD-392YG	2"	Yellow Gold	39"
SW-392B	2"	Matte Black	39"
SW-392G	2"	Rose Gold	39"
SW-392SS	2"	Satin Silver	39"
SW-392S	2"	Silver	39"
SW-392YG	2"	Yellow Gold	39"



SIMPLY CORRIDOR BRACKETS

for 1/8" thick material



Two counter-sunk holes* for standard screw mounting.
*39" pieces do not come with mounting holes.

Available in five anodized finishes:

*Polished anodized finish



PART	BRACKET LENGTH	COLOR
SB-2G	2"	Rose Gold
SB-2S	2"	Silver

PART	BRACKET LENGTH	COLOR
SB-10SS	10"	Satin Silver
SB-B10S	10"	Silver

PART	BRACKET LENGTH	COLOR
SB-3G	3"	Rose Gold
SB-3S	3"	Silver
SB-3YG	3"	Yellow Gold

PART	BRACKET LENGTH	COLOR
SB-12SS	12"	Satin Silver

PART	BRACKET LENGTH	COLOR
SB-4G	4"	Rose Gold
SB-4SS	4"	Satin Silver
SB-4S	4"	Silver
SB-4YG	4"	Yellow Gold

PART	BRACKET LENGTH	COLOR
SB-39B	39"	Matte Black
SB-39G	39"	Rose Gold
SB-39SS	39"	Satin Silver
SB-39S	39"	Silver
SB-39YG	39"	Yellow Gold

PART	BRACKET LENGTH	COLOR
SB-5SS	5"	Satin Silver
SB-5S	5"	Silver



Finished Example

PART	BRACKET LENGTH	COLOR
SB-6SS	6"	Satin Silver
SB-6S	6"	Silver

PART	BRACKET LENGTH	COLOR
SB-8SS	8"	Satin Silver

SIMPLY FRAMES & HOLDERS INDEX



1	Simply Wall Holders 3/4" Insert Height SW-475SS, SW-675S	SF:2	10	Simply Corridor Brackets 3" Bracket Length SB-3G, SB-3S, SB-3YG	SF:4
2	Simply Wall Holders 1" Insert Height SW-41G, SW-41SS, SW-61B, SW-61G, SW-61SS, SW-81B, SW-81G, SW-81SS, SW-101MB, SW-101G, SW-101SS, SW-121S, SW-41G, SW-391B, SW-391SS, SW-391S	SF:2	11	Simply Corridor Brackets 4" Bracket Length SB-4G, SB-4SS, SB-4S, SB-4YG	SF:4
3	Simply Wall Holders 1-1/2" Insert Height SW-41SS, SW-61SB, SW-61SS, SW-81SB, SW-81SS, SW-81SSS, SW-101SG, SW-101SS, SW-121SG, SW-121SS, SW-391SB, SW-391SG, SW-391SSS	SF:2	12	Simply Corridor Brackets 5" Bracket Length SB-5SS, SB-5S	SF:4
4	Simply Wall Holders 2" Insert Height SW-42SS, SW-62MB, SW-62SS, SW-82B, SW-82G, SW-82SS, SW-82S, SW-82YG, SW92S, SW-102B, SW-102SS, SW-102G, SW-102S, SW-102YG, SW-122MB, SW-122G, SW-122SS, SW-122YG, SW-392B, SW-392G, SW-392SS, SW-392S, SW-392YG	SF:2	13	Simply Corridor Brackets 6" Bracket Length SB-6SS, SB-6S	SL:5
5	Simply Wall Holders 2-1/2" Insert Height SW-41SS, SW-61SB, SW-61SS, SW-81SB	SF:2	14	Simply Corridor Brackets 8" Bracket Length SB-8SS	SF:4
6	Simply Wall Holders 3" Insert Height SW-83G, SW-83SS, SW-103G, SW-103SS, SW-123B, SW-123G, SW-123SS, SW-393B, SW-393SS, SW-393S	SF:2	15	Simply Corridor Brackets 10" Bracket Length SB-10SS, SB-10S	SF:4
7	Simply Wall Holders 4" Insert Height SW-84G, SW-84SS, SW-104S, SW-124G, SW-124S, SW-394B, SW-394SS	SF:2	16	Simply Corridor Brackets 12" Bracket Length SB-12SS	SF:4
8	Simply Desk Holders SD-82B, SD-82G, SD-82SS, SD-82S, SD-82YG, SD-102B, SD-102G, SD-102SS, SD-102S, SD-102YG, SD-122MB, SD-122G, SD-122SS, SD-122YG, SD-392B, SD-392G, SD-392S, SD-392YG, SW-392B, SW-392G, SW-392SS, SW-392S, SW-392YG	SF:3	17	Simply Corridor Brackets 39" Bracket Length SB-39B, SB-39G, SB-39SS, SB-39S, SB-39YG	SF:4
9	Simply Corridor Brackets 2" Bracket Length SB-2G, SB-2S	SF:4			



Hardware

Socket set screws	HD:2
Set screws, flat screws, threaded inserts	HD:4
Socket cap screws	HD:5
Wood hanger screws, threaded studs	HD:6
Oval/flat/pan head screws, machine screws	HD:7
All-purpose, & concrete anchors	HD:8
Wallboard, & toggle anchors	HD:9
Nuts, knife edge wood inserts	HD:10
Nut inserts, drop clip, crimp sleeves	HD:11
Washers	HD:12
Plastic tubing, foot pads, thread lock	HD:13
Insert bits, drill bits	HD:14
Cap tools, hex key wrenches, rod jig	HD:15
Wire tools, & parts	HD:16
Hardware Index	HD:17



Our Hardware collection is everything you need to connect and install the components in our product lines to a variety of surfaces. Here we provide a complete range of options to help ensure your project is a success from start to finish.

CUP POINT SOCKET SET SCREW

Stainless steel



PART	THREAD SIZE	THREAD LENGTH	DRIVE STYLE
HD-S001	6-32	1/2"	1/16" socket head
HD-S003	6-32	7/8"	1/16" socket head
HD-S004	6-32	1"	1/16" socket head
HD-S005	6-32	1-1/4"	1/16" socket head
HD-S006	6-32	1-1/2"	1/16" socket head
HD-S1	10-24	1/8"	3/32" socket head
HD-S2	10-24	1/4"	3/32" socket head
HD-S3	10-24	1/2"	3/32" socket head
HD-S4	10-24	5/8"	3/32" socket head
HD-S5	10-24	3/4"	3/32" socket head
HD-S6	10-24	7/8"	3/32" socket head
HD-S7	10-24	1"	3/32" socket head
HD-S8	10-24	1-1/4"	3/32" socket head
HD-S1025	1/4-20	1/2"	1/8" socket head
HD-S105	1/4-20	3/4"	1/8" socket head
HD-S11	1/4-20	1"	1/8" socket head
HD-S12	1/4-20	1-1/4"	1/8" socket head
HD-S13	1/4-20	1-1/2"	1/8" socket head
HD-S135	5/16-18	5/32"	5/32" socket head
HD-S14	5/16-18	1/4"	5/32" Socket Head
HD-S15	5/16-18	3/8"	5/32" socket head
HD-S16	5/16-18	1/2"	5/32" socket head
HD-S17	5/16-18	5/8"	5/32" socket head
HD-S18	5/16-18	3/4"	5/32" socket head
HD-S19	5/16-18	7/8"	5/32" socket head
HD-S20	5/16-18	1"	5/32" socket head
HD-S205	5/16-18	1-1/8"	5/32" socket head
HD-S21	5/16-18	1-1/4"	5/32" socket head
HD-S22	5/16-18	1-1/2"	5/32" socket head
HD-S23	5/16-18	1-3/4"	5/32" socket head
HD-S24	5/16-18	2"	5/32" socket head



Threaded Studs for Caps

Cup point socket set screws are used as threaded studs for our standoff caps. For lengths over 2", use threaded rod, see page HD:6.

CONE POINT SOCKET SET SCREW

Stainless steel



PART	THREAD SIZE	THREAD LENGTH	DRIVE STYLE
HD-CP1	6-32	1/8"	1/16" socket head
HD-CP2	6-32	3/16"	1/16" socket head
HD-CP3	6-32	1/4"	1/16" socket head
HD-CP5	10-24	1/4"	3/32" socket head
HD-CP55	10-24	3/8"	3/32" socket head
HD-CP7	1/4-28	1/4"	1/8" socket head
HD-CP75	1/4-20	1/4"	1/8" socket head
HD-CP9	5/16-18	1/4"	5/32" socket head
HD-CP10	5/16-18	3/8"	5/32" socket head

DOG POINT SOCKET SET SCREW

Zinc plated steel



PART	THREAD SIZE	THREAD LENGTH	DRIVE STYLE
HD-DP2	5/16-18	1/4"	5/32" socket head

NYLON TIP SOCKET SET SCREW

Stainless steel



PART	THREAD SIZE	THREAD LENGTH	DRIVE STYLE
HD-NT0	6-32	1/8"	1/16" socket head
HD-NT1	10-24	3/16"	3/32" socket head
HD-NT2	10-24	1/4"	3/32" socket head
HD-NT25	10-24	1/2"	3/32" socket head
HD-NT275	10-24	3/4"	3/32" socket head
HD-NT3	1/4-20	3/16"	1/8" socket head
HD-NT4	1/4-20	1/4"	1/8" socket head
HD-NT5	1/4-20	5/16"	1/8" socket head
HD-NT6	1/4-28	3/16"	1/8" socket head
HD-NT7	5/16-18	1/4"	5/32" socket head
HD-NT8	5/16-18	3/8"	5/32" socket head

FLAT POINT SOCKET SET SCREW

Stainless steel/Zinc plated steel



PART	THREAD SIZE	THREAD LENGTH	DRIVE STYLE
HD-FPT7	6-32	1/8"	1/16" socket head
HD-FPT8	6-32	3/16"	1/16" socket head
HD-FPT2	10-24	3/16"	3/32" socket head
HD-FPT3	10-24	1/4"	3/32" socket head
HD-FPT4	1/4-20	1/4"	1/8" socket head
HD-FPT45	1/4-28	1/4"	1/8" socket head
HD-FPT9	1/4-28	1/2"	1/8" socket head
HD-FPT5*	5/16-18	1/4"	5/32" socket head
HD-FPT6*	5/16-18	3/8"	5/32" socket head

*zinc plated steel

BRASS TIP SET SCREW

Stainless steel



PART	THREAD SIZE	THREAD LENGTH	DRIVE STYLE
HD-BT1	8-32	3/16"	5/64" socket head
HD-BT2	10-24	1/4"	3/32" socket head

FLAT HEAD SCREW

Stainless steel



PART	THREAD SIZE	THREAD LENGTH	OVERALL LENGTH	DRIVE STYLE
HD-FH1	10-24	1/2"	5/8"	phillips head
HD-FH2	10-24	5/8"	3/4"	phillips head
HD-FH5	10-24	1/4"	3/8"	phillips head
HD-FH3	5/16-18	7/16"	5/8"	phillips head
HD-FH4	5/16-18	9/16"	3/4"	phillips head

DUAL THREADED INSERT

Steel



PART	EXTERNAL THREAD	INTERNAL THREAD	LENGTH
HD-TI-250S	5/16-18	10-24	1/4"
HD-TI-375S	5/16-18	10-24	3/8"
HD-TI-500S	5/16-18	10-24	1/2"
HD-TI-625SR	5/16-18	10-24	5/8"
HD-TI-750SR	5/16-18	10-24	3/4"
HD-TI-875SR	5/16-18	10-24	7/8"
HD-TI-100SR	5/16-18	10-24	1"

BUTTON SOCKET CAP SCREW

Various materials



PART	THREAD SIZE	THREAD LENGTH	DRIVE STYLE
HD-BH2	1/4-20	3/4"	5/32" socket head
HD-BH3	5/16-18	3/4"	5/32" socket head
HD-BH4	1/4-20	2-1/2"	5/32" socket head

LOW HEAD SOCKET CAP SCREW

Various materials



PART	THREAD SIZE	THREAD LENGTH	FINISH	DRIVE STYLE
HD-LHD1	10-24	3/8"	stainless	3/32" socket head
HD-LHD2	10-24	1/2"	stainless	3/32" socket head
HD-LHD3	10-24	5/8"	black	3/32" socket head
HD-LHD4	10-24	3/4"	black	3/32" socket head
HD-LHD65	5/16-18	1/4"	black	5/32" socket head
HD-LHD7	5/16-18	3/8"	black	5/32" socket head
HD-LHD8	5/16-18	1/2"	black	5/32" socket head
HD-LHD8S	5/16-18	1/2"	zinc	5/32" socket head
HD-LHD9	5/16-18	3/4"	black	5/32" socket head
HD-LHD10S	5/16-18	1"	zinc	5/32" socket head
HD-LHD11S	5/16-18	1-1/4"	zinc	5/32" socket head
HD-LHD12	5/16-18	1-1/2"	black	5/32" socket head
HD-LHD13	5/16-18	1-3/4"	black	5/32" socket head
HD-LHD14	5/16-18	2"	black	5/32" socket head
HD-LHD625	1/4-20	3/4"	stainless	5/32" socket head

SOCKET HEAD CAP SCREW

Stainless steel



PART	THREAD SIZE	THREAD LENGTH	DRIVE STYLE
HD-STC001	6-32	5/8"	7/64" socket head
HD-STC003	6-32	7/8"	7/64" socket head
HD-STC004	6-32	1"	7/64" socket head
HD-STC005	6-32	1-1/4"	7/64" socket head
HD-STC007	6-32	1/2"	7/64" socket head
HD-STC1	8-32	3/4"	9/64" socket head
HD-STC4	10-24	7/8"	5/32" socket head
HD-STC5	10-24	1"	5/32" socket head
HD-STC6	10-24	1-1/4"	5/32" socket head

WOOD HANGER SCREW

Zinc plated steel



PART	THREAD SIZE	THREAD LENGTH	OVERALL LENGTH	PRE-DRILL
HD-WHS0	6-32	3/4"	1-3/8"	1/16"
HD-WHS1	10-24	5/8"	1-1/2"	1/8"
HD-WHS2	1/4-20	1"	2-3/16"	3/16"
HD-WHS3	5/16-18	9/16"	1-1/2"	1/4"
HD-WHS4	5/16-18	1"	2-1/2"	1/4"
HD-WHS5	5/16-18	2"	4-1/4"	1/4"

DRIVERS FOR WOOD HANGER SCREWS



PART	DRIVER SIZE	USE WITH
HD-WHSD0	driver for 6-32	HD-WHS0
HD-WHSD1	driver for 10-24	HD-WHS1
HD-WHSD2	driver for 5/16-18	HD-WHS3, HD-WHS4, HD-WHS5
HD-WHSD3	driver for 1/4-20	HD-WHS2
HD-ACN1	driver for 10-24	HD-WHS1
HD-ACN2	driver for 5/16-18	HD-WHS3, HD-WHS4, HD-WHS5

THREADED ROD

Zinc plated steel



PART	THREAD SIZE	THREAD LENGTH
HD-TS1	10-24	1-1/2"
HD-TS2	10-24	2"
HD-TS3	10-24	2-1/2"
HD-TS4	10-24	3"
HD-TS5	10-24	4"
HD-TS10	1/4-20	2"
HD-TS11	1/4-20	2-1/2"
HD-TS12	1/4-20	3"
HD-TS6	5/16-18	2-1/4"
HD-TS7	5/16-18	2-1/2"
HD-TS8	5/16-18	3"
HD-TS9	5/16-18	4"

THREADED ROD BY THE FOOT

Zinc plated steel



PART	THREAD SIZE	THREAD
HD-THR5	5/16-18	right hand

Note: Cut charges apply. Maximum of 6 feet.

OVAL HEAD SCREW

Zinc plated steel



PART	THREAD SIZE	LENGTH	FINISH	THREAD
HD-PS1	8	1-1/4"	zinc	tapping
HD-PS2	8	1-1/2"	zinc	tapping
HD-PS3	8	2"	zinc	tapping

FLAT WASHER HEAD SCREW

Zinc plated steel



PART	THREAD SIZE	LENGTH	FINISH	THREAD
HD-PS4	8	1-1/4"	zinc	tapping
HD-PS5	8	2"	zinc	tapping

PAN HEAD SCREW

Zinc plated steel



PART	THREAD SIZE	LENGTH	FINISH	THREAD
HD-PS8	12	3/4"	zinc	tapping
HD-PS9	12	1-1/4"	zinc	tapping
HD-PS95	12	2"	zinc	tapping
HD-PS6	8	5/8"	zinc	tapping
HD-PS13	4	1-1/2"	zinc	tapping

CONVERSION MACHINE SCREW

Steel



PART	THREAD SIZE	5/16-18 LENGTH	LENGTH	THREAD
HD-CSC1	5/16-18 to 1/4-20	5/16"	7/8"	machine
HD-CSC2	5/16-18 to 1/4-20	5/16"	1-5/16"	machine
HD-CSC3	5/16-18 to 1/4-20	5/16"	1-13/16"	machine
HD-CSC4	5/16-18 to 10-24	1/4"	17/32"	machine
HD-CSC5	5/16-18 to 1/4-20	5/16"	3-1/16"	machine

Note: The HD-CSC4 requires a 5/32" hex socket.

COMBINATION SCREW

Zinc plated steel



PART	THREAD SIZE	THREAD LENGTH	OVERALL LENGTH	FINISH
HD-CBS2	5/16-18 to 8	5/16"	2"	zinc plated steel
HD-CBS5	5/16-18 to 8	3/16"	1-1/2"	zinc plated steel
HD-CBS7	5/16-18 to 8	5/16"	1-1/2"	stainless steel
HD-CBS6	1/4-20 to 8	5/16"	1-1/2"	zinc plated steel

Note: Requires a 5/32" hex socket.

ALL PURPOSE WALL ANCHOR

Polypropylene



PART	USE WITH SCREW SIZE	LENGTH	PRE-DRILL
HD-FDA0	4-10	15/16"	3/16"
HD-FDA1	6-12	1-1/8"	1/4"
HD-FDA2	8-14	1-9/16"	5/16"

WALL ANCHOR ASSEMBLY

Wood hanger screw, anchor & thread



PART	THREAD SIZE	THREAD LENGTH	THREADED INSERT
HD-AWA-250	5/16-18	1/4"	HD-TI250S
HD-AWA-375	5/16-18	3/8"	HD-TI375S
HD-AWA-500	5/16-18	1/2"	HD-TI500S
HD-AWA-625	5/16-18	5/8"	HD-TI625S
HD-AWA-750	5/16-18	3/4"	HD-TI750S
HD-AWA-875	5/16-18	7/8"	HD-TI875S
HD-AWA-100	5/16-18	1"	HD-TI100S

Included: HD-FDA1, HD-WHS1, threaded insert (see above)
Installation Tip: Use drivers (HD-WHSD or HD-ACN1, see page HD:6)

CONCRETE ANCHOR

Various materials



HD-CA1

HD-ACM1

PART	THREAD SIZE	THREAD LENGTH	PRE-DRILL
HD-CA1	5/16-18	—	5/8" x 1-1/2" deep
HD-ACM1	5/16-18	1-1/2"	5/8" x 1-1/2" deep
HD-CA4	8	—	1/4" x 1-1/2" deep
HD-CA2	10-24	varies	1/4" x 1-1/2" deep
HD-CA3	5/16-18	varies	3/8" x 2" deep
HD-CA5	1/4-20	3/4" max	1/4" x 1-1/2" deep
HD-CA6	5/16-18	7/8" max	5/16" x 2" deep
HD-CA7	—	7"	1/2" x 7" deep



HD-CA4



HD-CA2



HD-CA3



HD-CA5



HD-CA6



HD-CA7

TOOL FOR HD-CA1 & HD-ACM1

PART	THREAD SIZE	THREAD LENGTH
HD-ACMT	5/16-18	2"



SELF DRILLING WALLBOARD ANCHOR

For wallboard or drywall



HD-WBL

HD-AWBSA

HD-AWB2

PART	THREAD SIZE	THREAD LENGTH	SCREW TYPE
HD-WBL	8	9/64"	Phillips head
HD-AWBSA	8	9/64"	Phillips head
HD-AWB2	5/16-18	5/16"	5/32" hex head

SELF DRILLING TOGGLE ANCHOR

For drywall



HD-ASDT

HD-ASTB

HD-TA

PART	TYPE	LENGTH	SCREW TYPE
HD-ASDT	flat washer head	—	HD-PS5, HD-TA
HD-ASTB	5/16-18	2"	HD-CBS2, HD-TA
HD-TA	8 anchor	—	HD-TA

TOGGLE BOLT WING & ANCHOR

For hollow wall and drywall



HD-TW2

HD-TW3

HD-TW4

PART	THREAD SIZE	PRE-DRILL	OPEN SIZE	INCLUDED
HD-TW2	10-24	1/2"	1-1/4"	anchor only
HD-TW3	1/4-20	3/4"	1-1/4"	anchor only
HD-TW4	5/16-18	7/8"	1-1/2"	anchor only
HD-ATWA1	5/16-18 x 3"	7/8"	1-7/8"	HD-TW4, HD-TS8
HD-ATWA2	10-24 x 3"	1/2"	1-1/2"	HD-TW2, HD-TS4, HD-TI-500S
HD-ZTOG1	10-24	1/2"	2-1/4"	anchor only
HD-ZTOG2	1/4-20	1/2"	2-1/4"	anchor only
HD-AZT	5/16-18	1/2"	2-1/4"	HD-ZTOG2, HD-CSC5
HD-AZTM	1/4-20	1/2"	2-1/4"	HD-ZTOG2, HD-BH4



HD-ATWA1

HD-ATWA2



HD-ZTOG1

HD-ZTOG2

HD-AZT

HD-AZTM

HEX JAM NUT

Zinc plated steel



PART	THREAD SIZE	TYPE
HD-HJN0	6-32	right hand thread
HD-HJN1	10-24	right hand thread
HD-HJN2	1/4-20	right hand thread
HD-HJN3	5/16-18	right hand thread
HD-HJN4	5/16-18	left hand thread

WING NUT

Zinc plated steel



PART	THREAD SIZE
HD-WN	5/16-18

T-NUT INSERT

Zinc plated steel



PART	THREAD SIZE	THREAD LENGTH	PRE-DRILL
HD-WTN1	10-24	3/8"	1/4"
HD-WTN3	5/16-18	7/16"	3/8"
HD-WTN4	5/16-18	11/16"	3/8"

THREADED KNIFE EDGE WOOD INSERT

Brass



PART	THREAD SIZE	THREAD LENGTH	PRE-DRILL
HD-WI2	1/4-20	1/2"	3/8"
HD-WI3	5/16-18	5/8"	1/2"

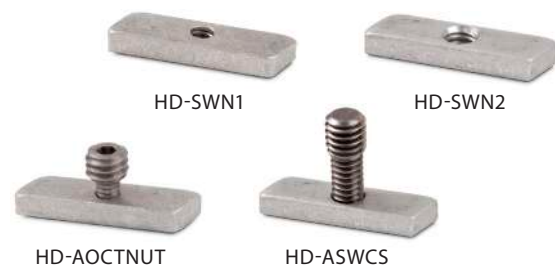
DRIVER FOR THREADED KNIFE EDGE WOOD INSERTS



PART	THREAD	USE WITH
HD-WID1	10-24	HD-WI1
HD-WID2	1/4-20	HD-WI2
HD-WID3	5/16-18	HD-WI3

SLATWALL NUT

For slat walls



PART	THREAD SIZE	INCLUDED
HD-SWN1	10-24	slatwall nut only
HD-SWN2	1/4-20	slatwall nut only
HD-AOCTNUT	5/16-18	HD-SWN1, HD-CSC4
HD-ASWCS	5/16-18	HD-SWN2, HD-CSC1

CONNECTION PIN

For attaching hardware and extrusions



PART	THREAD	THREAD LENGTH	MATERIAL
SL-CP	5/16-18	1/4"	steel
SL-APFS	5/16-18	1/4"	steel
HD-VGBC	5/16-18	9/16"	steel

DROP CEILING CLIP

For attaching hardware to T-bar ceilings



PART	DESCRIPTION	MAX LOAD	MATERIAL
HD-DCLIP	2 piece part	15 lbs.	aluminum, white

HEAVY CONNECTION WASHER

For EZ-Wire turnbuckles



PART	WIRE SIZE	USE WITH	MATERIAL
EZ-HW-125	1/8"	wire turnbuckles	aluminum

STOP CRIMP SLEEVE

For the end of a wire



PART	WIRE SIZE	MATERIAL	FINISH
HD-SL-062	3/64"	copper	tin
HD-SL-125	1/8"	copper	tin

OVAL CRIMP SLEEVE

For creating a loop on the end of a wire



PART	WIRE SIZE	MATERIAL	FINISH
HD-OS-062	3/64"	copper	zinc
HD-OS-125	1/8"	copper	zinc

WASHERS

WASHER

Vinyl



PART	INSIDE DIA.	OUTSIDE DIA.	THICKNESS	COLOR
HD-NW-563	5/16"	9/16"	1/32"	clear
HD-NW-875	5/16"	7/8"	1/32"	clear
HD-NW-1.125	5/16"	1-1/8"	1/16"	clear
HD-NW-1.375	5/16"	1-3/8"	1/16"	clear
HD-NW-1.875	5/16"	1-7/8"	1/16"	clear
HD-NW-2.25	5/16"	2-1/4"	1/16"	opaque
HD-VWSS3	7/16"	3/4"	1/32"	clear
HD-VWSS4	7/16"	1"	1/32"	clear

WASHER

Nylon



HD-NW1

HD-NW2

PART	INSIDE DIA.	OUTSIDE DIA.	THICKNESS	COLOR
HD-NW1	5/16"	1/2"	1/32"	opaque
HD-NW2	5/16"	3/4"	1/16"	opaque

PANEL CLIP SHIM

Vinyl with adhesive



PART	DIA.	THICKNESS	USE WITH	COLOR
HD-VS-100	1"	1/16"	SO-APC100, SO-ADPEG9	clear
HD-VS-125	1-1/4"	1/16"	SO-APC125, SO-ADPEG3	clear

TIMING WASHER

Silicone



PART	INSIDE DIA.	OUTSIDE DIA.	THICKNESS	USE WITH
HD-563RW	5/16"	9/16"	1/32"	5/8" parts

WASHER

Zinc plated steel



PART	INSIDE DIA.	OUTSIDE DIA.	FINISH
HD-MW0	5/32"	5/16"	zinc
HD-MW1	3/16"	7/16"	zinc
HD-MW2	1/4"	9/16"	zinc
HD-MW3	5/16"	3/4"	zinc
HD-MW4	5/16"	1-1/4"	zinc

PLASTIC TUBING, FOOT PADS, THREAD LOCK

PLASTIC TUBING

For protecting material from hardware



PART	INSIDE DIA.	OUTSIDE DIA.	LENGTH
HD-PT1*	3/16"	5/16"	by the foot
HD-PT2*	1/4"	3/8"	by the foot
HD-PT3*	5/16"	7/16"	by the foot
HD-PT4*	1/2"	5/8"	by the foot
HD-PT5*	1/2"	3/4"	by the foot
HD-PT6*	7/16"	9/16"	by the foot
HD-PT7*	1/4"	5/16"	by the foot
HD-PTLP1	1/2"	5/8"	1/4"
HD-PTLP2	1/2"	3/4"	1/4"
HD-PTLP3	7/16"	9/16"	3/16"
HD-PT-250	5/16"	7/16"	1/4"
HD-PT-375	5/16"	7/16"	3/8"
HD-PT-500	5/16"	7/16"	1/2"
HD-PT-750	5/16"	7/16"	3/4"

*Additional cut charges may apply

THREAD LOCK

Adhesive



HD-TLMS

HD-TLHS

PART	SIZE	STRENGTH	DESCRIPTION
HD-TLMS	.32 oz	medium	removable
HD-TLHS	.32 oz	high	permanent

INSERT BIT

Steel

PART	SIZE	LENGTH
HD-HBD1	1/16" hex	—
HD-HBD2	3/32" hex	—
HD-HBD3	1/8" hex	—
HD-HBD4	5/32" hex	—
HD-PD2	2 phillips head hex	2" long



DRILL BITS

High speed steel (0° rake)

PART	SIZE	LENGTH
HD-DRILLP	.323"	4.75"
HD-DRILLCS	21/64"	4.75"
HD-DRILLSTP	29/64"	5.8125"



DRILL & TAP KIT

High speed steel

PART	SIZE
HD-ATD3	5/16-18

Included: tap and drill bit



NEOPRENE WRENCH

For low profile caps

PART	DIA.
HD-NWBL	5"



SECURITY CAP TOOL

For security caps

PART	DIA.	LENGTH
HD-SCT	3/32"	2"



HEX KEY WRENCH

Steel alloy

PART	SIZE	FINISH
HD-HLK1	1/16"	black
HD-HLK2	3/32"	black
HD-HLK3	1/8"	black
HD-HLK4	5/32"	black
HD-HKS	.050 to 3/16"	black



ROD DRILLING JIG & ROLL PIN

For drilling EZ-ROD-375

to use in heavy rod turnbuckles

PART	DESC.	INCLUDED
HD-A375RDJ	drills 3/8" rod	HD-375RDJ & HD-RPD
HD-RPD	3/32 drill	drill bit only
HD-375RDJ	—	drill jig only
HD-332RP	3/32" roll pin	roll pin only



WIRE BYPASS CUTTER

Prevents wire fraying



HD-CUTTER

PART	CUTS
HD-CUTTER	3/64" to 1/8" wire

CRIMPING TOOL

For crimping wire



HD-ACC-062

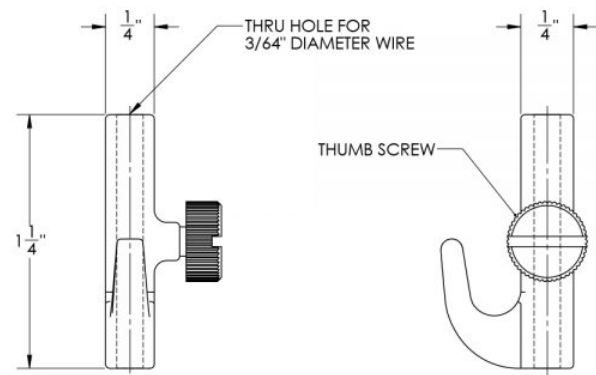


HD-A250CRIMP

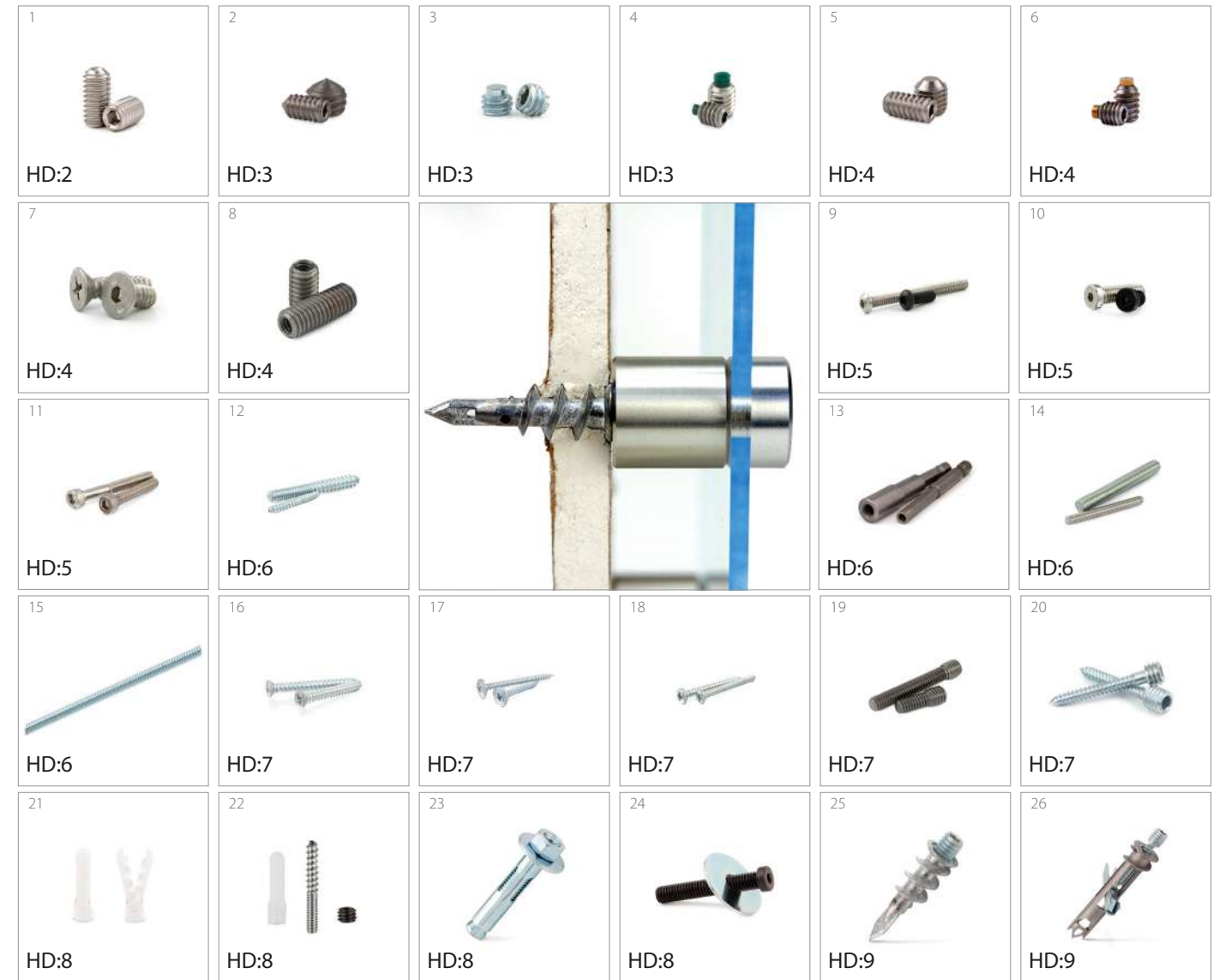
PART	SIZE
HD-ACC-062	3/64" wire
HD-A250CRIMP	1/8" wire

GALLERY HOOK

To hang gallery images




























PART	FITS
HD-HOOK-062	3/64" wire

















1	Cup Point Socket Set Screw HD-S001, HD-S002, HD-S003, HD-S004, HD-S005, HD-S006, HD-S1, HD-S2, HD-S3, HD-S4, HD-S5, HD-S6, HD-S7	HD:2	13	Driver for Wood Hanger Screws HD-WHSD0, HD-WHSD1, HD-WHSD2, HD-WHSD3, HD-ACN1, HD-ACN2	HD:6
2	Cone Point Socket Set Screw HD-CP1, HD-CP2, HD-CP3, HD-CP5, HD-CP55, HD-CP7, HD-CP75, HD-CP9, HD-CP10	HD:3	14	Threaded Rod HD-TS1, HD-TS2, HD-TS3, HD-TS4, HD-TS5, HD-TS10, HD-TS11, HD-TS12, HD-TS6, HD-TS7, HD-TS8, HD-TS9	HD:6
3	Dog Point Socket Set Screw HD-DP2	HD:3	15	Threaded Rod by the Foot HD-THR5	HD:6
4	Nylon Tip Socket Set Screw HD-NT0, HD-NT1, HD-NT2, HD-NT25, HD-NT275, HD-NT3, HD-NT4, HD-NT5, HD-NT6, HD-NT7, HD-NT8	HD:3	16	Oval Head Screw HD-PS1, HD-PS2, HD-PS3	HD:7
5	Flat Point Socket Set Screw HD-FPT7, HD-FPT8, HD-FPT2, HD-FPT3, HD-FPT4, HD-FPT45, HD-FPT9, HD-FPT5, HD-FPT6	HD:4	17	Flat Washer Head Screw HD-PS4, HD-PSS	HD:7
6	Brass Tip Set Screw HD-BT1, HD-BT2	HD:4	18	Pan Head Screw HD-PS8, HD-PS9, HD-PS95, HD-PS6, HD-PS13	HD:7
7	Flat Head Screw HD-FH1, HD-FH2, HD-FH3, HD-FH4, HD-FH5	HD:4	19	Conversion Machine Screw HD-CSC1, HD-CSC2, HD-CSC3, HD-CSC4, HD-CSC5	HD:7
8	Dual Threaded Inserts HD-TI-250S, HD-TI-375S, HD-TI-500S, HD-TI-625SR, HD-TI-750SR, HD-TI-875SR, HD-TI-100SR	HD:4	20	Combination Screw HD-CBS2, HD-CBS5, HD-CBS7, HD-CBS6	HD:7
9	Button Socket Cap Screw HD-BH2, HD-BH3, HD-BH4	HD:5	21	All-Purpose Wall Anchor HD-FDA0, HD-FDA1, HD-FDA2	HD:8
10	Low Head Socket Cap Screw HD-LHD1, HD-LHD2, HD-LHD3, HD-LHD4, HD-LHD65, HD-LHD7, HD-LHD8, HD-LHD8S, HD-LHD9	HD:5	22	Wall Anchor Assembly HD-AWA-250, HD-AWA-375, HD-AWA-500, HD-AWA-625, HD-AWA-750, HD-AWA-875, HD-AWA-100	HD:8
11	Socket Head Cap Screw HD-STC001, HD-STC003, HD-STC004, HD-STC005, HD-STC007, HD-STC1, HD-STC4, HD-STC5, HD-STC6	HD:5	23	Concrete Anchor HD-CA1, HD-ACM1, HD-CA4, HD-CA2, HD-CA3, HD-CA5, HD-CA6, HD-CA7	HD:8
12	Wood Hanger Screw HD-WHS0, HD-WHS1, HD-WHS2, HD-WHS3, HD-WHS4, HD-WHS5	HD:6	24	Concrete Anchor Tool HD-ACMT	HD:8
			25	Self-Drilling Wallboard Anchor HD-WBL, HD-AWBSA, HD-AWB2	HD:9
			26	Self-Drilling Toggle Anchor HD-ASDT, HD-ASTB, HD-TA	HD:9

HARDWARE INDEX

 HD:9	 HD:9	 HD:9	 HD:9	
 HD:10	 HD:10	 HD:10	 HD:10	
 HD:10	 HD:10	 HD:10	 HD:11	
 HD:11	 HD:11	 HD:12	 HD:12	
 HD:12	 HD:12	 HD:12	 HD:13	
 HD:11	 HD:11	 HD:13	 HD:11	

27 Toggle Bolt Wing HD-TW2, HD-TW3, HD-TW4	HD:9	39 Drop Ceiling Clip HD-DCLIP	HD:11
28 Toggle Bolt Wing & Anchor HD-ATWA1, HD-ATWA2	HD:9	40 Heavy Connection Washer EZ-HW-125	HD:11
29 Zip Toggle HD-ZTOG1, HD-ZTOG2	HD:9	41 Stop Crimp Sleeve HD-SL-062, HD-SL-125	HD:11
30 Zip Toggle & Anchor HD-AZT, HD-AZTM	HD:9	42 Oval Crimp Sleeve HD-OS-062, HD-OS-125	HD:11
31 Hex Jam Nut HD-HJN0, HD-HJN1, HD-HJN2, HD-HJN3, HD-HJN4	HD:10	43 Vinyl Washer HD-NW-563, HD-NW-875, HD-NW-1.125, HD-NW-1.375, HD-NW-1.875, HD-NW-2.25, HD-VWSS3, HD-VWSS4	HD:12
32 Wing Nut HD-WN	HD:10	44 Nylon Washer HD-NW1, HD-NW2	HD:12
33 T-Nut Insert HD-WTN1, HD-WTN3, HD-WTN4	HD:10	45 Panel Clip Shims HD-VS-100, HD-VS-125	HD:12
34 Threaded Knife Edge Wood Insert HD-WI2, HD-WI3	HD:10	46 Timing Washer HD-563RW	HD:12
35 Driver for Threaded Knife Edge Wood Insert HD-WID1, HD-WID2, HD-WID3	HD:10	47 Washer HD-MW0, HD-MW1, HD-MW2, HD-MW3, HD-MW4	HD:12
36 Slatwall Nut HD-SWN1, HD-SWN2	HD:10	48 Protective Plastic Tubing by the Foot HD-PT1, HD-PT2, HD-PT3, HD-PT4, HD-PT5, HD-PT6, HD-PT7	HD:13
37 Slatwall Nut with Conversion Screw HD-AOCTNUT, HD-ASWCS	HD:10	49 Protective Plastic Tubing Pieces HD-PTLP1, HD-PTLP2, HD-PTLP3, HD-PT250, HD-PT375, HD-PT500, HD-PT750	HD:13
38 Connection Pin SL-CP, SL-APFS, HD-VGBC	HD:11	50 Removable Thread Lock HD-TLMS	HD:13

HARDWARE INDEX

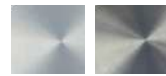
 HD:14	 HD:14	 HD:15	 HD:15	 HD:15	 HD:15
 HD:15	 HD:15	 HD:15	 HD:16	 HD:16	 HD:16
 HD:16	 HD:16				

51 Permenant Thread Lock HD-TLHS	HD:13	59 Rod Drilling Jig and Drill Bit HD-A375RDJ	HD:15
52 Hex Insert Bit HD-HB01, HD-HB02, HD-HB03, HD-HB04, HD-PD2	HD:14	60 Rod Drilling Drill Bit HD-RPD	HD:15
53 Drill Bits HD-DRILLP, HD-DRILLCS, HD-DRILLSTP	HD:14	61 Rod Drilling Jig HD-375RDJ	HD:15
54 Drill & Tap Kit HD-ATD3	HD:14	62 Rod Drilling Roll Pin HD-332RP	HD:15
55 Neoprene Wrench HD-NWBL	HD:15	63 Wire Bypass Cutter HD-CUTTER	HD:16
56 Security Cap Tool HD-SCT	HD:15	64 Crimping Tool for 3/64" Wire HD-ACC-062	HD:16
57 Hex Key Wrench HD-HLK1, HD-HLK2, HD-HLK3, HD-HLK4	HD:15	65 Crimping Tool for 1/8" Wire HD-A250CRIMP	HD:16
58 Hex Key Tool HD-HKS	HD:15	66 Gallery Hook HD-HOOK-062	HD:16

Custom Colors and Finishes

Products by Gyford Standoff Systems can be made in a wide variety of custom colors and finishes. Colors and finishes are available on a made-to-order basis. Charges will vary based on quantity and finish and may require additional time to ship.

Stock Finish



Our standard products are made from U.S. sourced aluminum, then anodized with a clear satin finish. We also manufacture a selection of products from #316 stainless steel.

Limited Stock Custom Colors



Limited sizes of black and brass anodized Standoffs are kept in stock without the typical wait-time of a custom order.

Custom Colors

We offer many custom anodized color coatings as well as the entire RAL palette for powder coating.

Note: The anodized colors represented online or in print may vary from actual goods. The actual color may vary per part based upon various conditions (ie: types of materials, types of mfg. process, the actual anodize process, etc). Anodized and plated parts are not recommended for outdoor use or high UV areas as they may be subject to color fading.

Examples of custom color and finishing options are provided below.



RAL color chart with a sample of custom colored and finished standoffs

Thousands of color and finish options available with powder coating!



Frequently Asked Questions

How can I buy Gyford products?

Gyford StandOff Systems® products can be purchased by phone, on our website or through a retailer. Because we are the manufacturer and sell only to resellers and trades, we need some paperwork to get you started.

When ordering from us for the first time, please provide one of the following:

- **Resale or sales and use tax certificate.**
This shows us you will be reselling or using our product to complete services for your client.
- **Tax Exemption Certificate.**
This document allows you to make a tax-free purchase.

When will my order ship?

Stock parts will usually ship within one business day. Please allow extra time for custom parts, finishes and extrusions. Your Client Solutions Specialist will be able to provide details at the time of purchase.

Do you make custom parts?

Yes, we do. Call us at 775.829.7272 or send an email to info@standoffsystems.com. We will be happy to speak with you about your project and provide you with a quote. Lead times are determined by our custom machine shop schedule.

What will I be asked when placing an order?

1. What's your project?

We start by asking what type of project you are working on (signage, shelving, display). If you have a complicated project that requires a visual aid, we ask that you email us a sketch so we can be sure to get you the right products for your application(s).

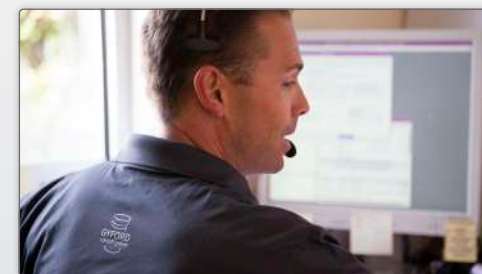
2. What is your material and its thickness?

Our standoffs are tapped to a specific depth, allowing a range of material thicknesses to be used. We need to know your material thickness in order to provide the correct length of threaded rod for your project. Weight is also a consideration in standoffs, rod, and wire installations. By determining the material type and size, we are able to calculate the overall weight of the project. This helps to ensure that we are specifying the correct systems and hardware for your application.

3. What are you mounting to?

To determine the best anchor for your project, we'll need to know what surface you are mounting to. Common mounting surfaces include drywall, wood, metal or concrete.

Visit our website for more frequently asked questions: standoffsystems.com/FAQ



Our Customer Support Team is here to help

Call Us:
775.829.7272
Monday - Friday
7:00 a.m. - 3:30 p.m. (PST)

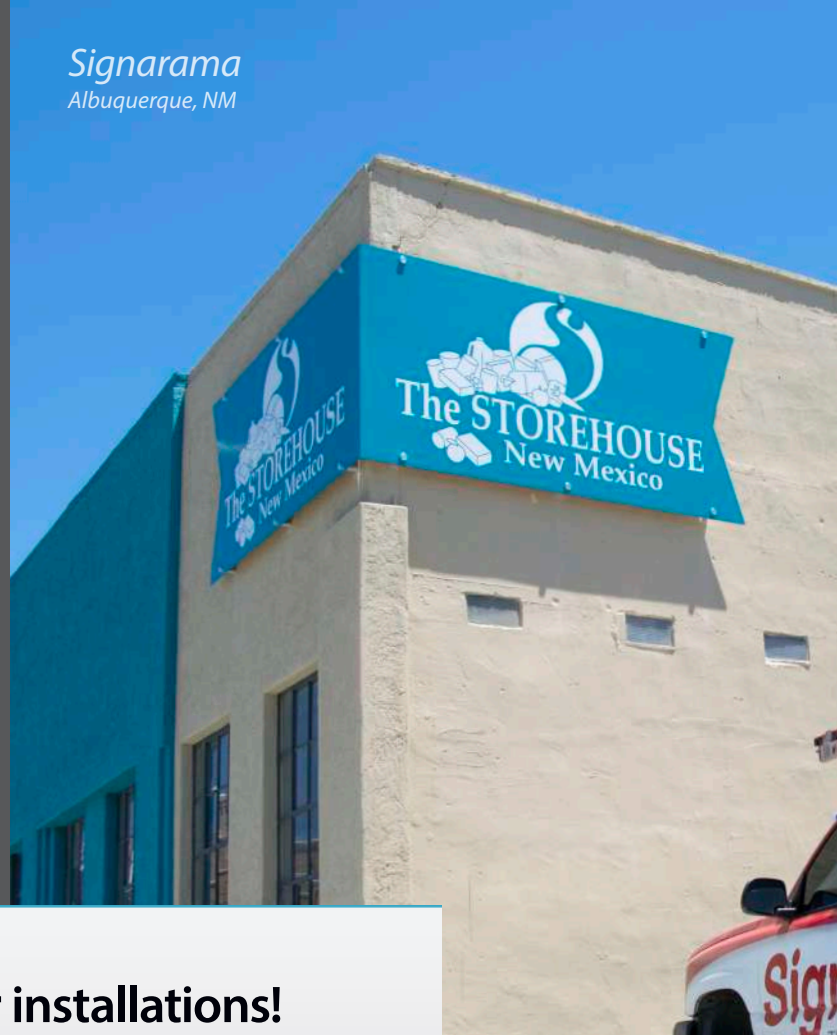
Email Us:
info@standoffsystems.com

- Full design support
- Installation guidance
- Free quotes
- Send us a sketch or .dwg

Golden West Electric Sign Company
Boise, ID



Signarama
Albuquerque, NM



Let's see your installations!

Go to standoffsystems.com/photo-submission
We would love to credit your photos on our website and advertising



SRRA-Experiential Graphic Design
& Option Signs, GA



Dahlen Sign Company
Shakopee, MN



DESIGN SUPPORT

We pledge to deliver the best service available. We are prepared to take on any project, idea or custom design and make it work for you.



QUALITY PRODUCT

Through precision manufacturing and strict quality control, we continue to provide mounting hardware with a unique look, feel and quality.

MADE in the USA

RENO, NEVADA

We manufacture our aluminum and stainless steel hardware in Reno, Nevada and proudly source our materials from the USA.

SHOP ONLINE
standoffsystems.com

