

Dimensional™ design mounts offer a unique, contemporary way to display a wide range of products in a variety of applications.

Dimensional design mounts give you the versatility to make your vision come to life!

Features:

- » Material (Black, Matte Silver): anodized aluminum
- » Material (Gold, Chrome): electro-plated aluminum
- » Suitable for indoor applications
- » Installation method: drywall screws & anchors
- » Required holes in signage substrate
DDM1XX: 0.28" / 7 mm
DDM2XX & 3XX: 0.43" / 11 mm
- » Substrate thickness: see technical drawings
- » Sold in packs of four
- » Assembly kit included

Dimensional™ design mounts
XX represents the code for selecting the finish

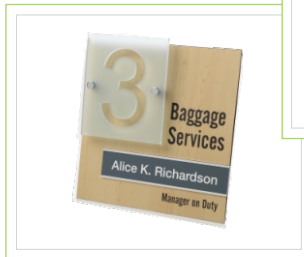
D = Diameter
BL = Barrel Length



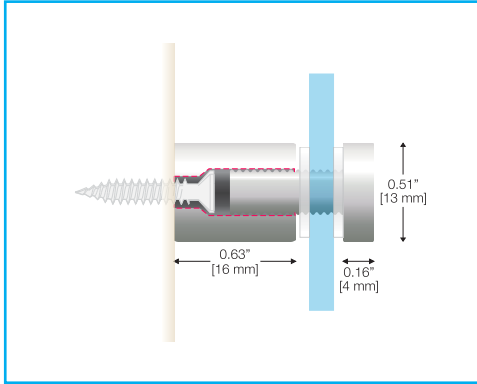
Black (02) Matte Silver (03) Gold (08) Chrome (09)

Solid anodized aluminum, black finish Solid anodized aluminum, matte silver finish Electro-plated aluminum, gold finish Electro-plated aluminum, chrome finish

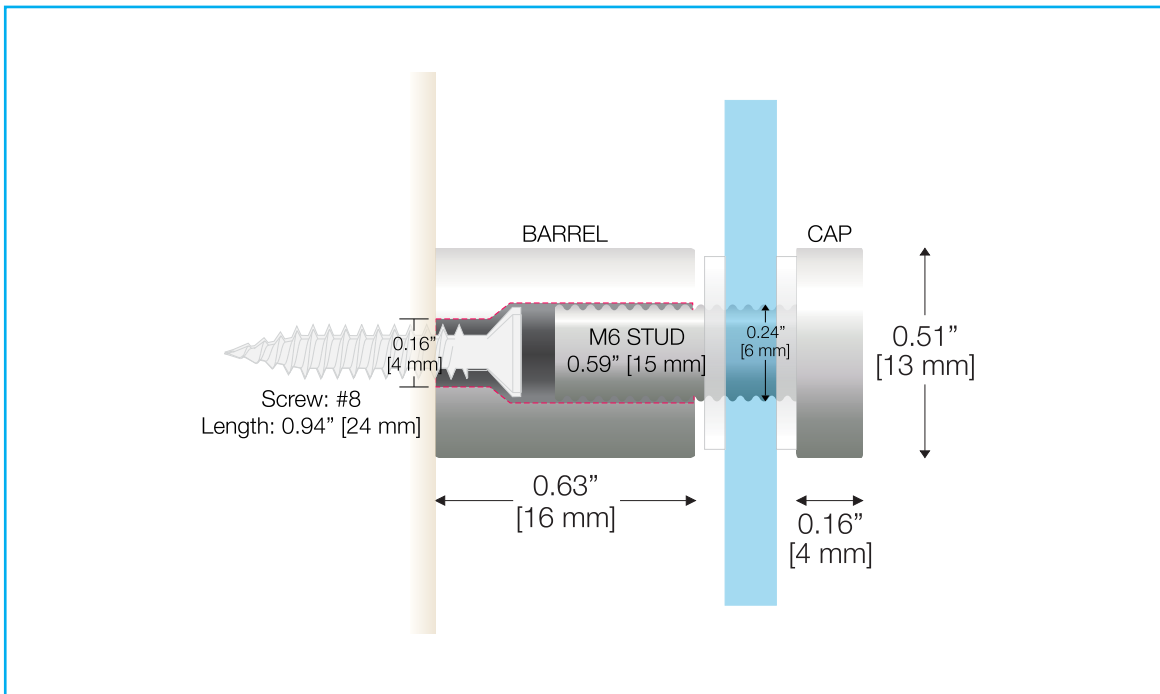
	Black (02)	Matte Silver (03)	Gold (08)	Chrome (09)
DDM1XX D: 0.51" BL: 0.63" D: 13mm BL: 16mm	DDM102	DDM103	DDM108	DDM109
DDM2XX D: 0.63" BL: 0.75" D: 16mm BL: 19mm	DDM202	DDM203	DDM208	DDM209
DDM3XX D: 0.75" BL: 0.98" D: 19mm BL: 25mm	DDM302	DDM303	DDM308	DDM309



DDM1XX
Scale: Actual Size

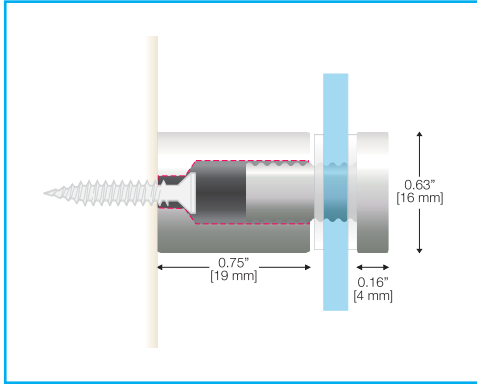


Scale: NTS

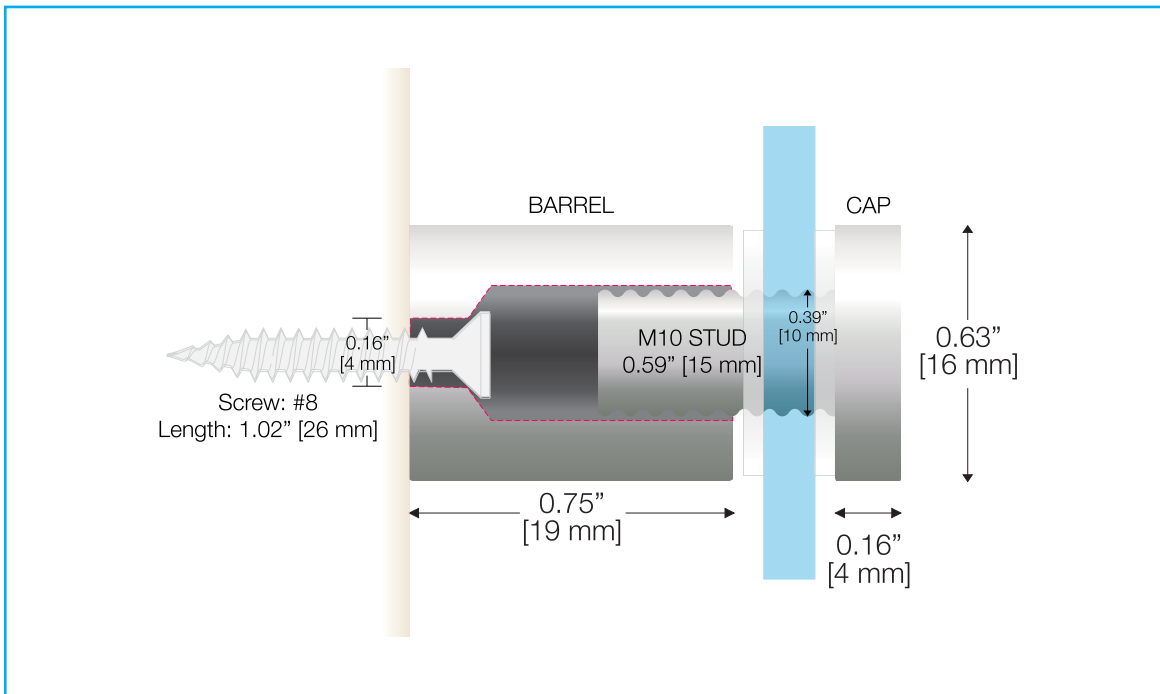


Notes: This stand-off will hold material from 0-0.28" [0-7 mm]
M6 Stud: 0.24" [6 mm] Diameter / 0.39" [10 mm] Length

DDM2XX
Scale: Actual Size

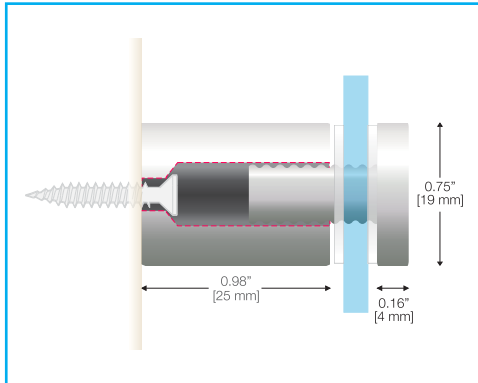


Scale: NTS

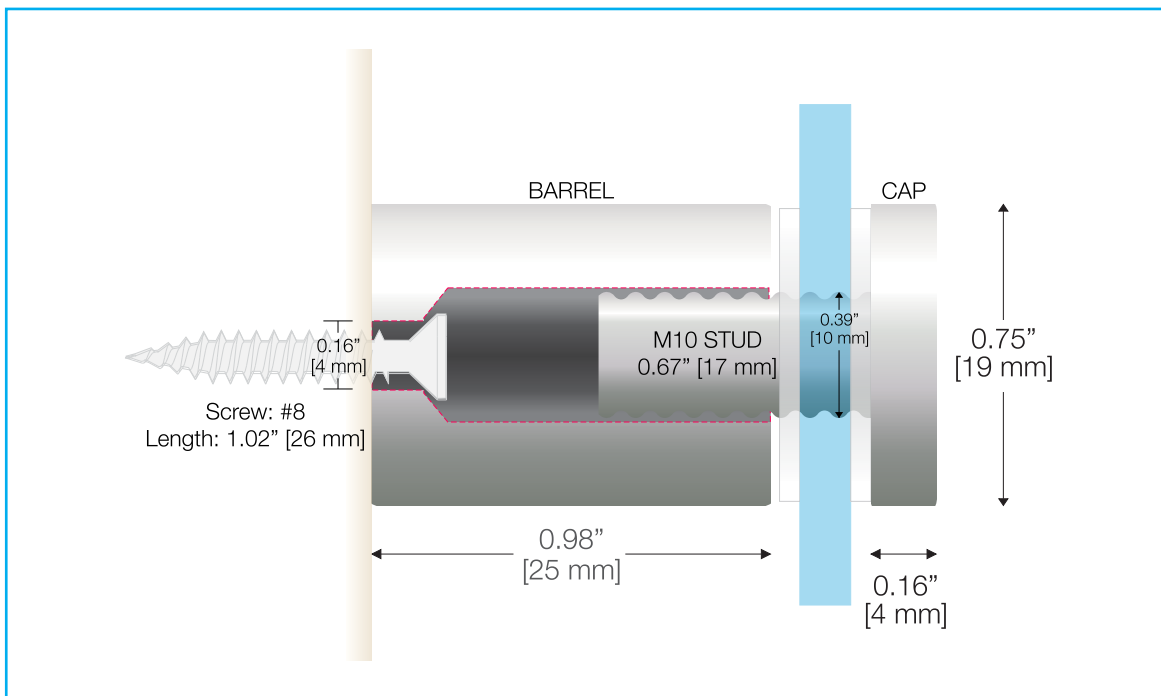


Notes: This stand-off will hold material from 0-0.47" [0-12 mm]
M10 Stud: 0.39" [10 mm] Diameter / 0.59" [15 mm] Length

DDM3XX
Scale: Actual Size



Scale: NTS



Notes: This stand-off will hold material from 0-0.51" [0-13 mm]
M10 Stud: 0.39" [10 mm] Diameter / 0.67" [17 mm] Length